

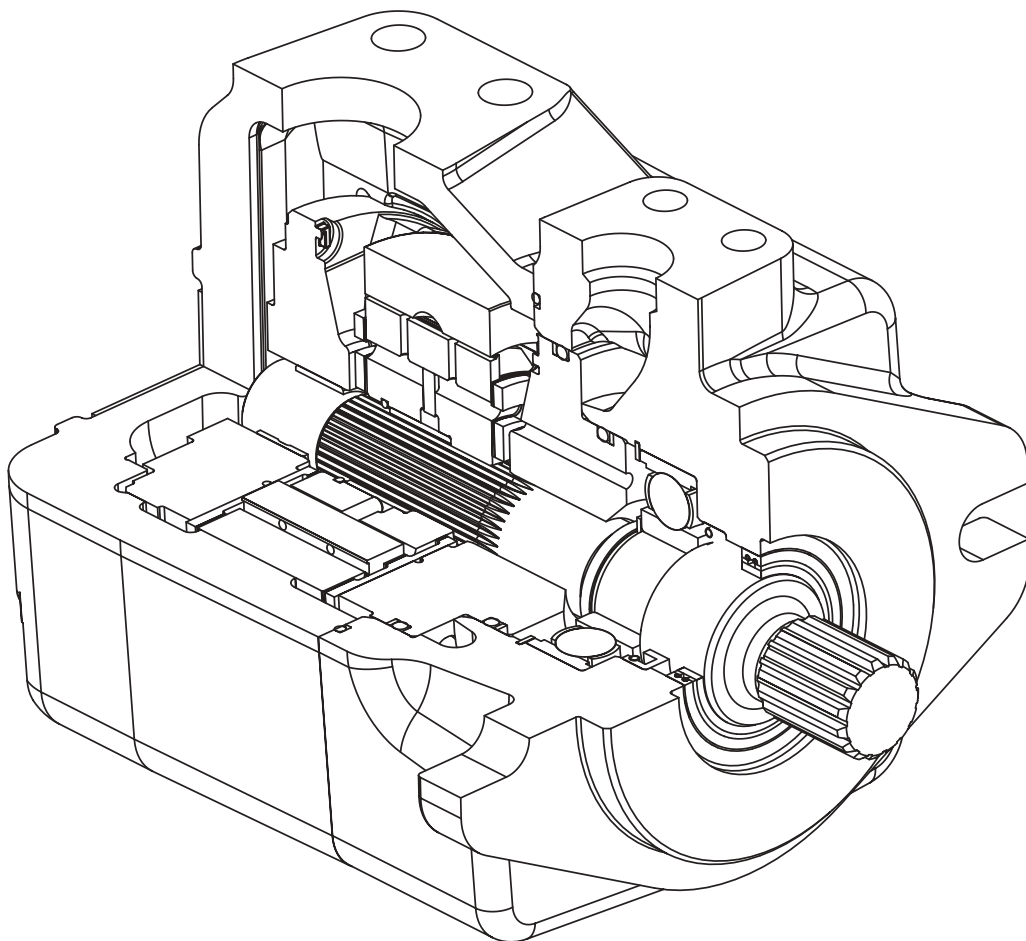
**EATON**

**Vickers**

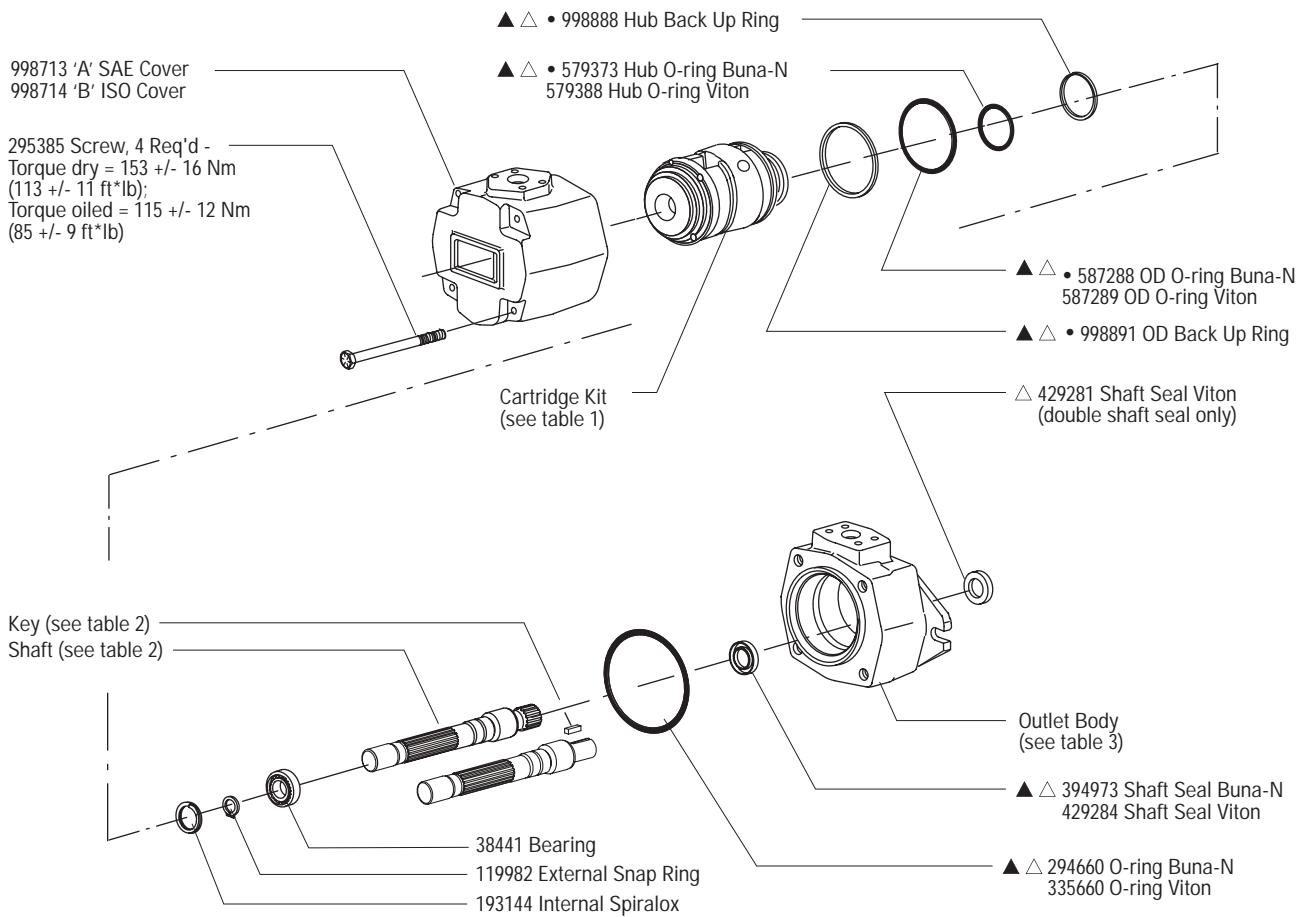
**High Pressure, High Performance  
Vane Pumps**

Parts Data

VMQ125S Series  
- 32 Design



**VICKERS**<sup>®</sup>



**Note:** Lubricate all parts and seals with a thin coat of oil at assembly.

- Included in Cartridge Kit (see table 1)
- ▲ Included in STD Single Seal Kit 02-334550 or Viton® Seal Kit 02-334551.
- △ Included in STD Double Seal Kit 02-334633 or Viton® Seal Kit 02-334634..
- \* See Table X1 and X2 for Kit Rotation Information

**TABLE X1**

**Cartridge Kit Rotation for Right Hand Rotation Pump**

| PUMP ROTATION     | SHAFT END KIT ROTATION |                      | CENTER KIT ROTATION | COVER END KIT ROTATION |
|-------------------|------------------------|----------------------|---------------------|------------------------|
|                   | R= Right Hand Rotation | L=Left Hand Rotation |                     |                        |
| Single & Thru (R) | (R)                    | -                    | -                   | -                      |

- \*Notes: - A right hand rotation pump has the shaft turning clockwise when viewed from the input shaft end  
- When ordering a right hand rotation kit, the part number will not have a suffix

**TABLE X2**

**Cartridge Kit Rotation for Left Hand Rotation Pump**

| PUMP ROTATION     | SHAFT END KIT ROTATION |                      | CENTER KIT ROTATION | COVER END KIT ROTATION |
|-------------------|------------------------|----------------------|---------------------|------------------------|
|                   | R= Right Hand Rotation | L=Left Hand Rotation |                     |                        |
| Single & Thru (L) | (L)                    | -                    | -                   | -                      |

- \*Notes: - A left hand rotation pump has the shaft turning counterclockwise when viewed from the input shaft end  
- When ordering a left hand rotation kit, the part number will have a suffix of '-L'

**TABLE 1**

| MODEL CODE | * • CARTRIDGE KIT (BUNA-N)* | * • CARTRIDGE KIT (VITON)* |
|------------|-----------------------------|----------------------------|
| VMQ125*010 | 02-347013                   | 02-347014                  |
| VMQ125*016 | 02-347011                   | 02-347012                  |
| VMQ125*020 | 02-347009                   | 02-347010                  |
| VMQ125*025 | 02-347007                   | 02-347008                  |
| VMQ125*032 | 02-347005                   | 02-347006                  |
| VMQ125*040 | 02-347003                   | 02-347004                  |
| VMQ125*045 | 02-347001                   | 02-347002                  |
| VMQ125*050 | 02-346999                   | 02-347000                  |
| VMQ125*063 | 02-346997                   | 02-346998                  |
| VMQ125*071 | 02-346995                   | 02-346996                  |
| VMQ125*080 | 02-346993                   | 02-346994                  |
| VMQ125*090 | 02-347102                   | 02-347103                  |

Viton® is a registered trademark of E.I. DuPont Co.

**TABLE 2**

| MODEL CODE       | SHAFT  | KEY    |
|------------------|--------|--------|
| VMQ125S-*-*-*-01 | 932890 | 928540 |
| VMQ125S-*-*-*-02 | 932852 | —      |
| VMQ125S-*-*-*-03 | 932891 | 928545 |
| VMQ125S-*-*-*-04 | 932892 | 928563 |
| VMQ125S-*-*-*-05 | 932893 | 928541 |
| VMQ125S-*-*-*-06 | 932894 | —      |
| VMQ125S-*-*-*-07 | 932895 | 928546 |
| VMQ125S-*-*-*-08 | 932896 | 928564 |
| VMQ125S-*-*-*-09 | 932897 | —      |

**TABLE 3**

| Flange Mounting Style | Single Shaft Seal |                     | Double Shaft Seal |                     |
|-----------------------|-------------------|---------------------|-------------------|---------------------|
|                       | Inch Port Threads | Metric Port Threads | Inch Port Threads | Metric Port Threads |
| SAE B                 | 998600            | 998602              | 998601            | 998603              |
| ISO 100               | —                 | 998604              | —                 | 998605              |

# Model Code

VMQ1    \*\*    \*    \*\*\*    \*    \*    \*\*    \*\*    \*    \*    \*    \*    \*    \*    \*    \*    00    \*    0    32

1 2 3 4   
5 6   
7   
8 9 10   
11   
12 13 14   
15 16   
17 18   
19 20   
21 22   
23 24   
25 26   
27 28

**1 2 3 4** **Series designation**  
 VMQ1 – Vane pump single series

**5 6** **Frame size**  
 25 – 10-90 cm<sup>3</sup>/r  
 (0.62-5.49 in<sup>3</sup>/r)

**7** **Pump type**  
 S – Single

**8 9 10** **Displacement**  
 Frame size 25

010 – 10 cm<sup>3</sup>/r (0.62 in<sup>3</sup>/r)  
 016 – 16 cm<sup>3</sup>/r (0.98 in<sup>3</sup>/r)  
 020 – 20 cm<sup>3</sup>/r (1.23 in<sup>3</sup>/r)  
 025 – 25 cm<sup>3</sup>/r (1.58 in<sup>3</sup>/r)  
 032 – 32 cm<sup>3</sup>/r (1.96 in<sup>3</sup>/r)  
 040 – 40 cm<sup>3</sup>/r (2.44 in<sup>3</sup>/r)  
 045 – 45 cm<sup>3</sup>/r (2.75 in<sup>3</sup>/r)  
 050 – 50 cm<sup>3</sup>/r (3.05 in<sup>3</sup>/r)  
 063 – 63 cm<sup>3</sup>/r (3.84 in<sup>3</sup>/r)  
 071 – 71 cm<sup>3</sup>/r (4.33 in<sup>3</sup>/r)  
 080 – 80 cm<sup>3</sup>/r (4.88 in<sup>3</sup>/r)  
 090 – 90 cm<sup>3</sup>/r (5.49 in<sup>3</sup>/r)

**11** **Front flange mounting style**  
 A – SAE B 2-bolt  
 101,60 (4.000) x 9,4  
 (0.37) pilot  
 14,4 (0.57) slots on  
 146,0 (5.75) bolt circle

C – ISO 3019/2 100A2HW  
 2-bolt  
 100,00 (3.937) x 9,2  
 (0.36) pilot  
 14,1 (0.56) slots on  
 140,0 (5.51) bolt circle

**12** **Rear mounting flange and orientation**  
 0 – None (non thru-drive)

**13 14** **Input shaft type\***  
 01 – SAE J744 keyed  
 Frame size 25:  
 25,40 (1.000)  
 02 – SAE J744 splined  
 Frame size 25: B-B  
 03 – ISO 3019/2 keyed  
 Frame size 25:  
 25,00 (0.984)  
 05 – SAE J744 keyed  
 Frame size 25:  
 31,75 (1.250)  
 06 – SAE J744 splined  
 Frame size 25: C  
 07 – ISO 3019/2 keyed  
 Frame size 25: 32,00 (1.260)  
 09 – SAE J744 splined  
 Frame size 25: B

**15 16** **Output shaft coupling**  
 00 – None (non thru-drive)

**17** **Inlet port type**  
 A – SAE J518 4-bolt split flange  
 B – ISO 6162 4-bolt split flange

**18** **Outlet port type**  
 A – SAE J518 4-bolt flange  
 B – ISO 6162 4-bolt flange

**19** **Outlet port position**  
 Viewed from cover end of pump  
 A – Opposite inlet port  
 B – 90° CCW to inlet port  
 C – In-line with inlet port  
 D – 90° CW to inlet port

**20** **Shaft seal**  
 A – Single, primary  
 B – Double, secondary (spring side out)  
 Recommended for wet mount applications

**21** **Seal type**  
 N – Buna N  
 V – Viton  
 W – Buna N with Viton shaft seal(s)

**22** **Shaft rotation**  
 Viewed from shaft end of pump

L – Left hand (CCW)  
 R – Right hand (CW)

**23 24** **Special features**  
 00 – None

**25** **Paint**  
 0 – None  
 A – Blue

**26** **Customer identification**  
 0 – None

**27 28** **Design code**  
 32 – 32 design  
 Installation dimensions remain unchanged for design numbers 30 to 39 inclusive.

\* Verify shaft torque ratings meet or exceed input torque requirements

Eaton  
14615 Lone Oak Road  
Eden Prairie, MN 55344  
USA  
Tel: 952 937-9800  
Fax: 952 974-7722  
[www.hydraulics.eaton.com](http://www.hydraulics.eaton.com)

Eaton  
20 Rosamond Road  
Footscray  
Victoria 3011  
Australia  
Tel: (61) 3 9319 8222  
Fax: (61) 3 9318 5714

Eaton  
Dr.-Reckeweg-Str. 1  
D-76532 Baden-Baden  
Germany  
Tel: (49) 7221 682-0  
Fax: (49) 7221 682-788

**VICKERS**<sup>®</sup>

**EATON**

**Vickers**

© 2003 Eaton Corporation  
All rights reserved  
Printed in USA  
Document No. V-PUVN-TP002-E  
June 2003 1M