

Service Data

**Vickers®**

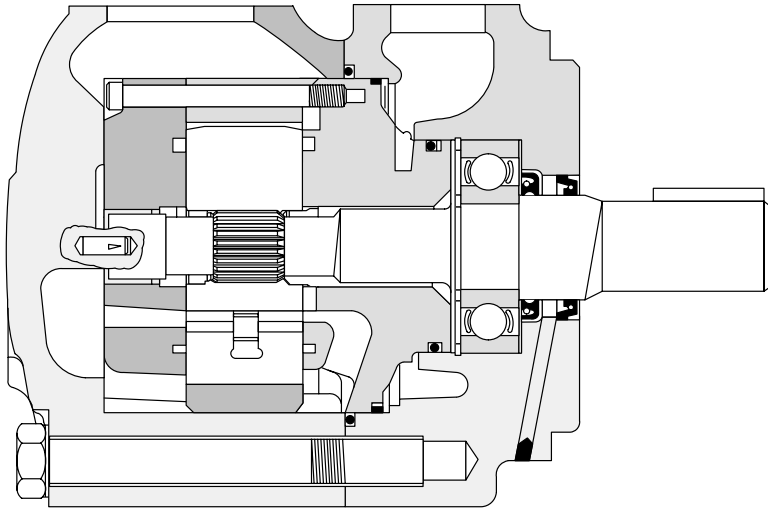
# Vane Pumps

---



## Quiet Intra-Vane Type Pump

35V\*\*A-\*(\*)\*-22(L)-28\*



**Note**  
 Seals must be completely wetted at time of assembly with an SAE 10W motor oil of "SE" quality or an industrial hydraulic oil equivalent. Assemble seal with lip toward the bearing.

**Note**  
 Individual cartridge parts are not interchangeable with similar parts of the previous design. Complete cartridges are interchangeable with the previous design.

Model	Cover
35V***-22*-280	429134
35V***-22*-*	234248

●▲154101 "O" Ring  
 ●▲419674 Sealing Ring (Install in Body before installation of Cartridge Kit)  
 ●▲154084 "O" Ring  
 ●▲263717 Back-up Ring

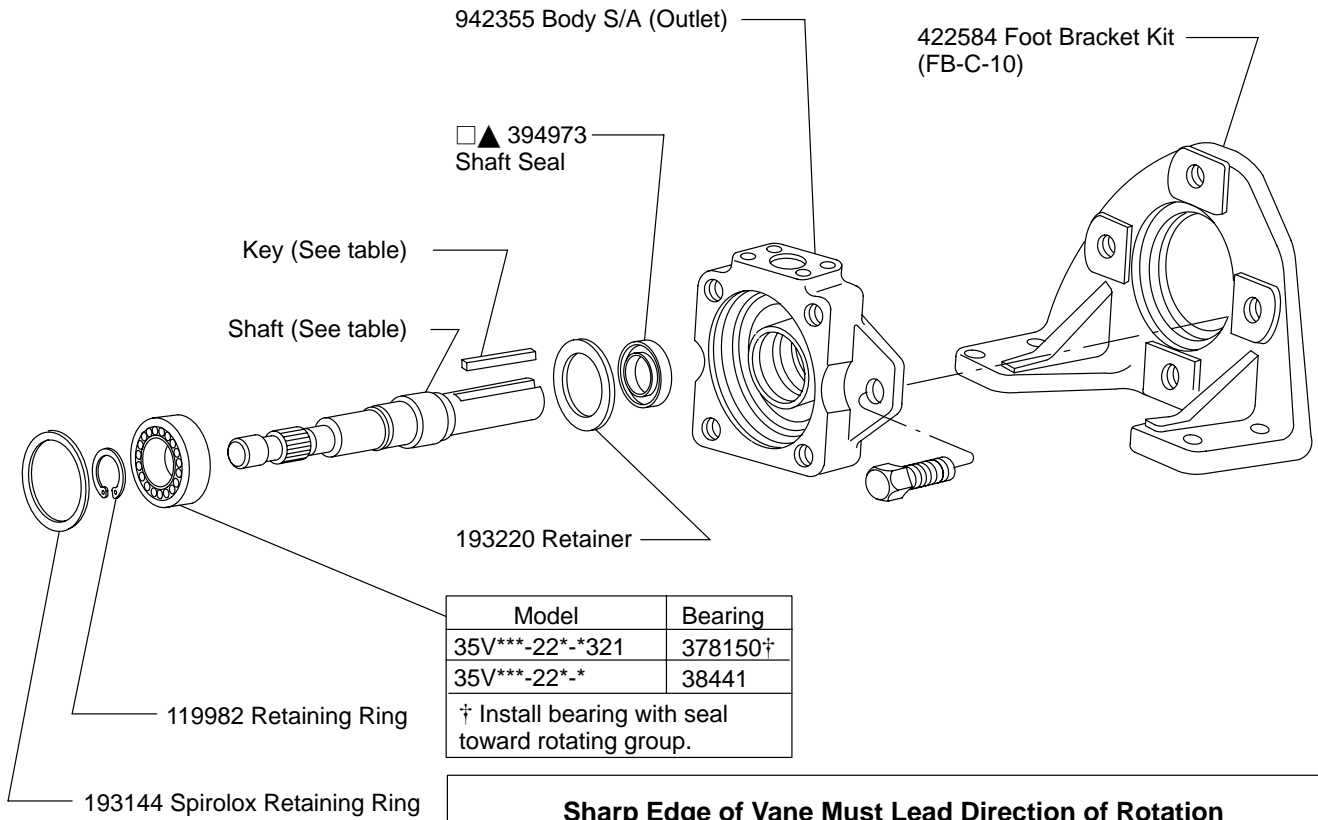
594329 Identification Plate

11173 Bolt (4 req'd)  
 Oil and Torque to 150 ± 10lb. ft.

Torque to 105 ± 5 lb. ft.

Capacity (USGPM)	Screw (2 Req'd)	Pin (2 Req'd)	Inlet Plate S/A	Rotor	Vane Kit	Ring	Outlet Plate	Cartridge Kit	F3 Cartridge Kit
	Included in Cartridge Kit								
35V25A-**-22-28*	289475	280031	576265	575478	941019	576210	575479	578311	584306
35V30A-**-22-28*						576212		578312	584307
35V35A-**-22-28*						576214		578313	584308
35V38A-**-22-28*						575476		578314	584309

Shaft		Key	Type
No.	Part		
1	233624	88678	Straight Keyed Standard
86	392669	393536	Straight Heavy Duty
292N	860077	472287	Straight Keyed Rectangular

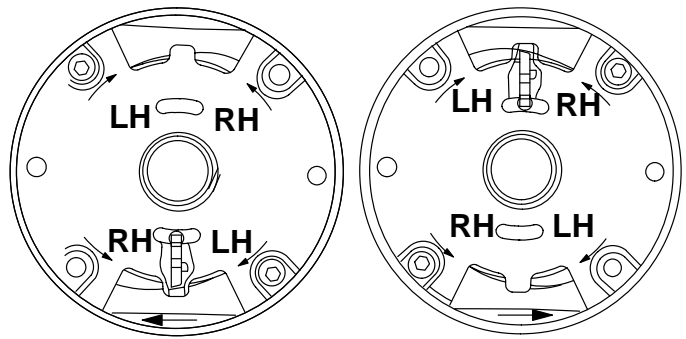


● Included in Cartridge Kit

▲ Included in 922851 Seal Kit

F3 Equivalent Seal Kit 919262

**Sharp Edge of Vane Must Lead Direction of Rotation**



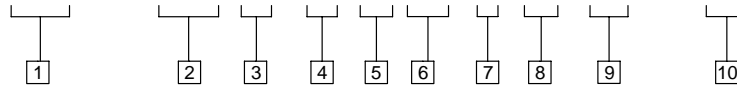
Cover End  
L.H. Rotation

Cover End  
R.H. Rotation

To reverse cartridge kit rotation, remove the two (2) 289475 screws, and reverse location of the inlet plate S/A and outlet plate. Reinstall the two (2) screws hand tight. Use pump cover to align all sections of the cartridge. Remove cover carefully and torque screws to 105 ± 5 lb. ft.

# Model Code

**(F3) - 35V \*\* A F \*\*\* \* 22 (\*) - \*\*\***



**1 Seal Material**

**F3** - Viton® seals

*Viton is a registered trademark of E.I. DuPont*

**2 Model Series**

**35V** - Vane Pump

**3 SAE Rated Capacity**

(Rating at 1200 RPM - 100 PSI)  
(See inside for capacities)

**4 Port Connections**

**A** -SAE 4-bolt flange

**5 Mounting**

**282** - SAE 2-bolt mounting

**283** - Foot mounting

**6 Shaft Type**

**1** - Straight with square key (standard)

**86** - Straight with square key heavy duty

**292N** - Straight with rectangular key

**7 Port Positions**

(See Chart below)

**8 Design**

**9 Rotation**

(Viewed from shaft end)

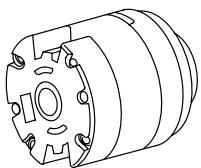
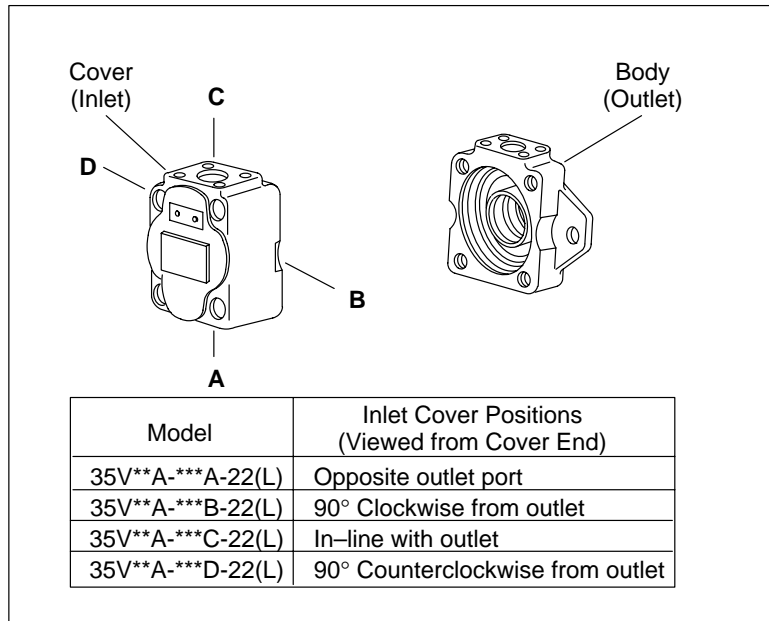
**L** - Left hand (CCW rotation)

**Omitted** - Right hand rotation

**10 Special Suffix**

**280** -Ductile iron body cover

**321** -Special bearing and shaft seal



## PARTS ORDERING

Parts are the same for both right and left hand rotation. When ordering spare cartridge parts, it is recommended they be obtained in cartridge kits. Kits are assembled and tested for either right or left hand rotation. If left hand rotation is required, it should be specified on parts order by adding suffix "L" to Kit Number. Ext. 578311-L.

For satisfactory service life of these components in industrial applications, use full flow filtration to provide fluid which meets ISO cleanliness code 20/18/15 or cleaner. Selections from Eaton OFP, OFR, and OFRS series are recommended.