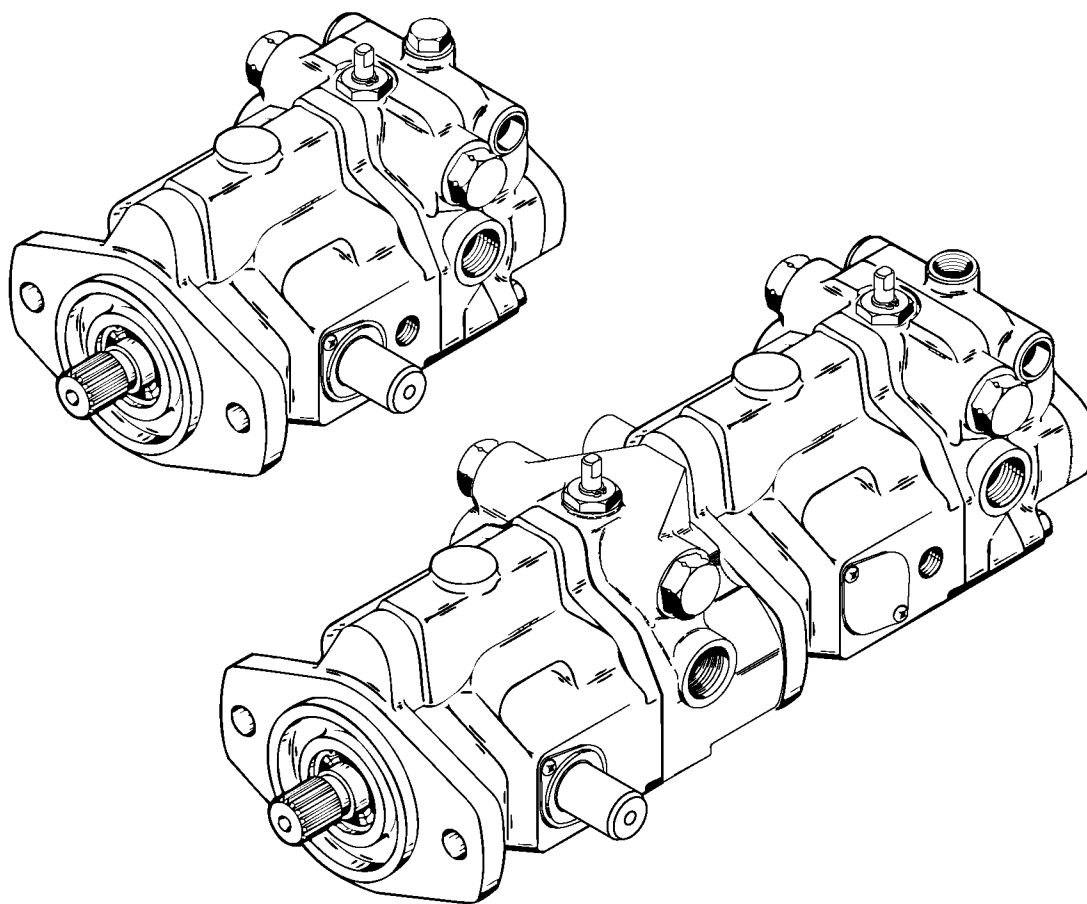




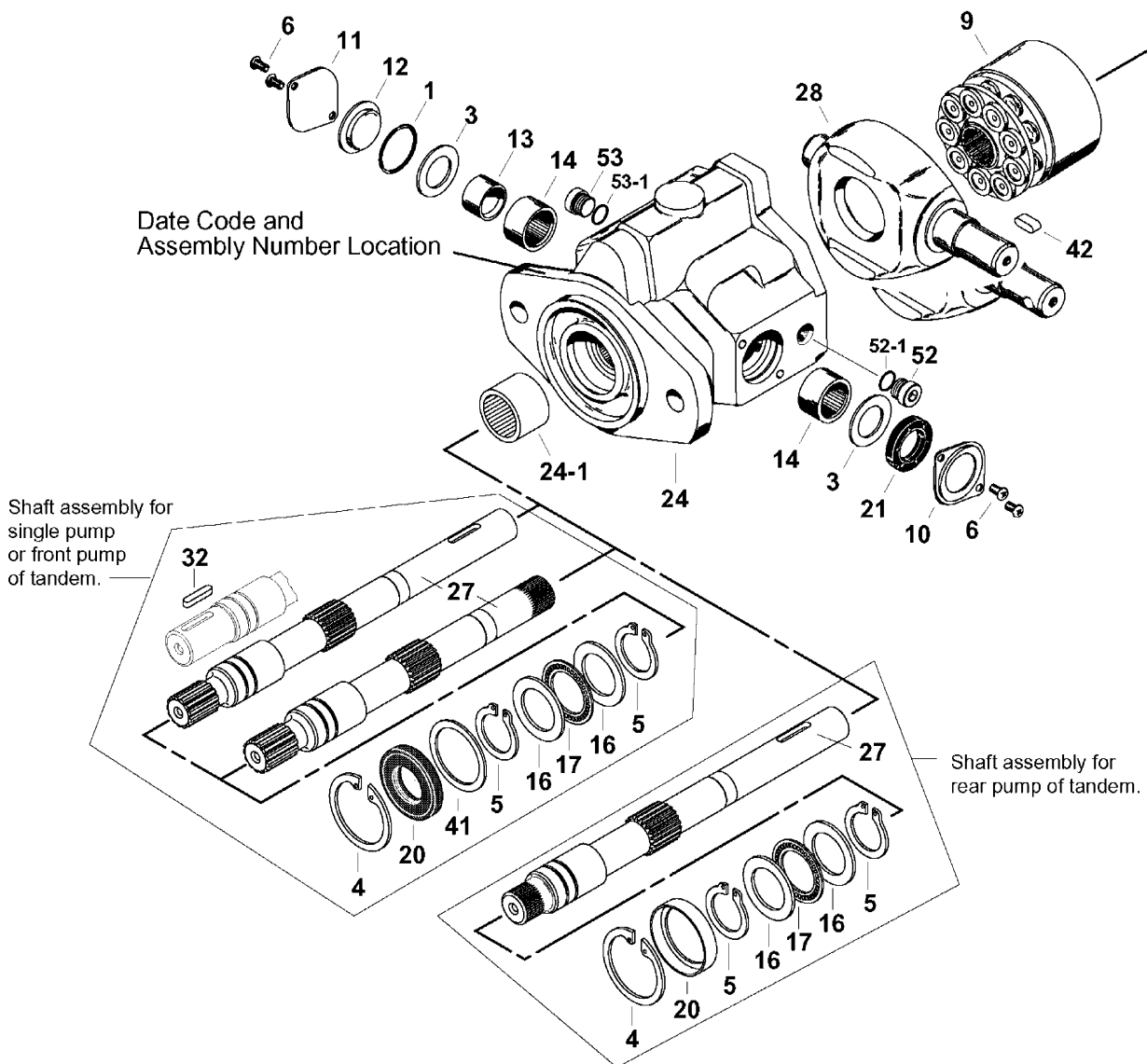
Hydraulics

**Model 70342 and 70344, 40.6 cm³/r [2.48 in³/r] Displacement
Manually Variable Displacement Piston Pump**



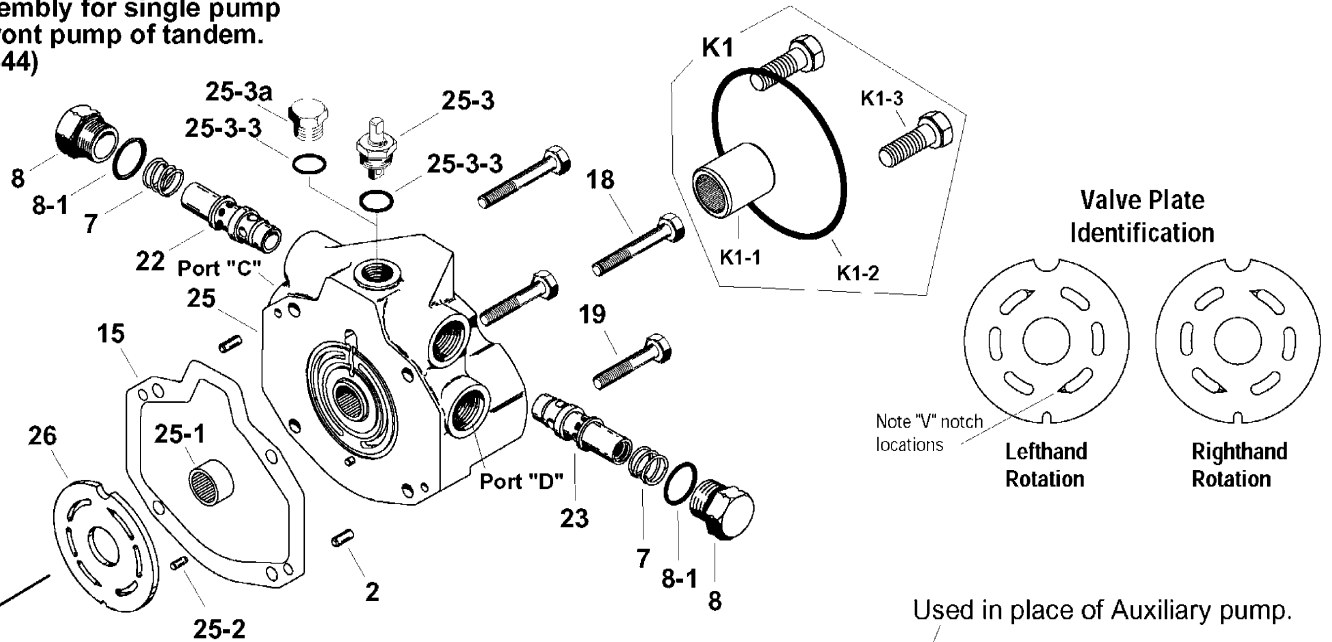
Parts Drawing

Pump drawn below is typical of a righthand rotation pump.

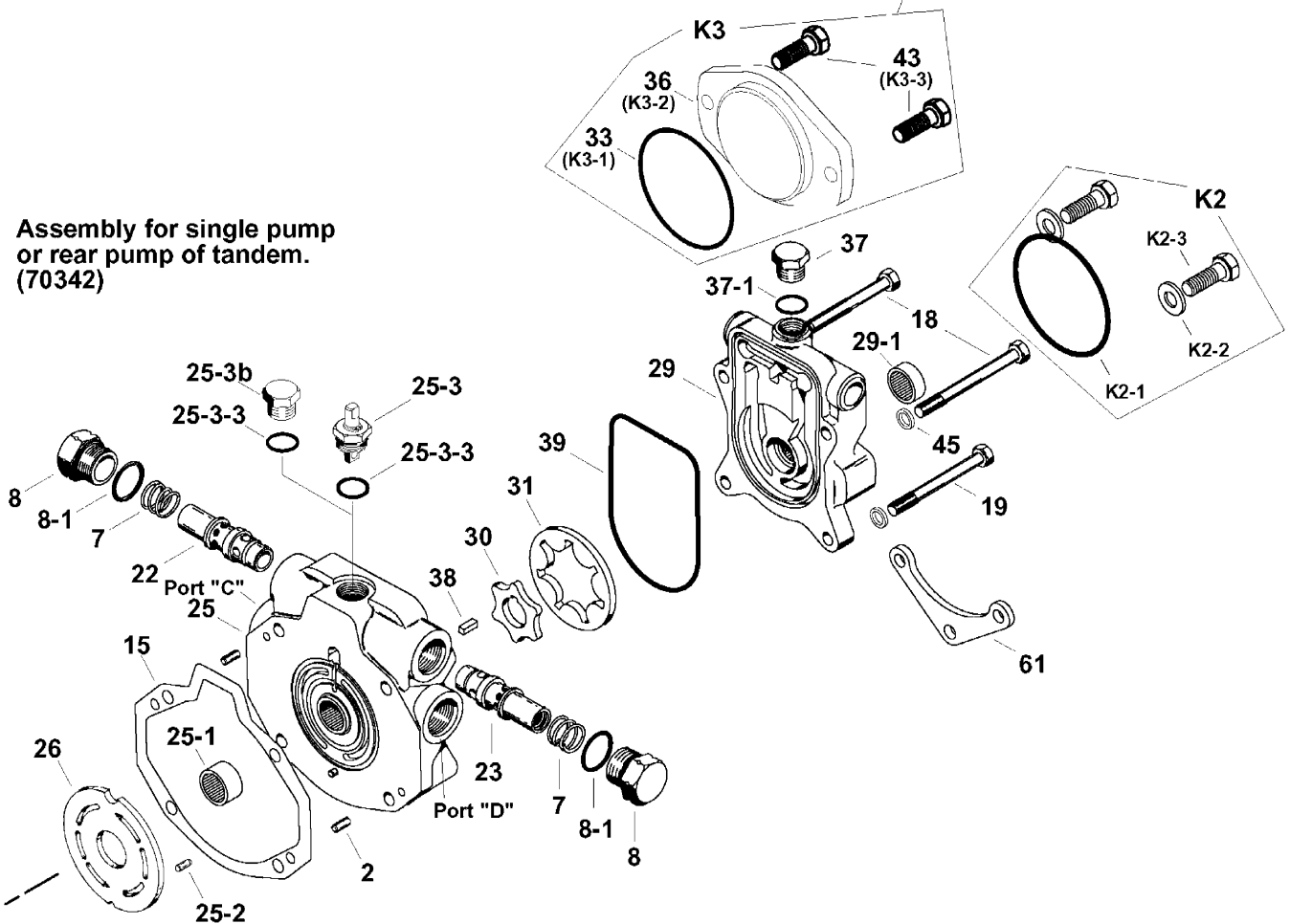


Parts Drawing

Assembly for single pump or front pump of tandem. (70344)



Assembly for single pump or rear pump of tandem. (70342)



Parts List

| Item | Part No. | Qty. | Description |
|-------|-------------|------|---|
| + 1 | 16003-25 | 1 | O-ring, 2.38 mm Dia. x 36.5 mm I.D. [.0937 in. Dia. x 1.4375 in. I.D.] |
| 2 | 16028-404 | 2 | Dowel Pin |
| 3 | 16048-533 | 2 | Washer |
| + 4 | 16077-32 | 1 | Retaining Ring |
| + 5 | 16078-18 | 2 | Retaining Ring |
| 6 | 16268-306 | 4 | Screw |
| 7 | 17079-2 | 2 | Spring |
| 8 | 32060-8 | 2 | Plug Assembly |
| + 8-1 | 16015-18-90 | 2 | O-ring, 2.38 mm Dia. x 22.23 mm I.D. [.0937 in. Dia. x .875 in. I.D.] |
| 9 | 70300-603 | 1 | Rotating Kit Assembly (parts list on page #6) |
| 10 | 70400-624 | 1 | Seal Cover |
| 11 | 70400-625 | 1 | Trunnion Cover |
| 12 | 70400-693 | 1 | O-ring Cover |
| 13 | 70402-100 | 1 | Inner Race |
| 14 | 70412-151 | 2 | Needle Bearing |
| + 15 | 70412-626 | 1 | Housing Gasket |
| 16 | 74308-100 | 2 | Thrust Race |
| 17 | 74308-101 | 1 | Needle Thrust Bearing |
| 18 | ◆ | 2 | Cap Screws (Locations on page #6) |
| | 16032-622 | | 3/8-16, 57.2 mm [2.25 in.] Long |
| | 16040-640 | | 3/8-16, 101.6 mm [4.0 in.] Long |
| 19 | ◆ | 2 | Cap Screws (Locations on page #6) |
| | 16032-616 | | 3/8-16, 38.1 mm [1.5 in.] Long |
| | 16032-620 | | 3/8-16, 50.8 mm [2.0 in.] Long |
| | 16032-634 | | 3/8-16, 88.9 mm [3.5 in.] Long |
| + 20 | 16253-18 | 1 | Shaft Seal, Drive |
| 20 | 16253-218 | 1 | Viton Shaft Seal, Drive |
| 20 | 70400-620 | 1 | Spacer (Used in rear pump of tandem in place of drive shaft seal.) |
| + 21 | 16253-16 | 1 | Shaft Seal, Trunnion |
| 21 | 16253-216 | 1 | Viton Shaft Seal, Trunnion |
| 22 | ◆ | 1 | Relief Valve for Port "C" (Identification drawing on page #7) |
| 23 | ◆ | 1 | Relief Valve for Port "D" (Identification drawing on page #7) |
| 24 | ◆ | 1 | Housing Assembly (Identification drawing on page #7) |
| 24-1 | 16238-11816 | 1 | Bearing (press fit) |
| 25 | ◆ | 1 | Backplate Assembly (Identification drawing and parts list on page #8 & #9) |
| 26 | | 1 | Valve Plate (Identification drawing on page #3) |
| | 70344-51 | | Righthand (CW) Rotation |
| | 70344-52 | | Lefthand (CCW) Rotation |
| 27 | ◆ | 1 | Drive Shaft (Identification drawing on page #12) |
| 28 | ◆ | 1 | Camplate |
| | 70400-618 | | Key groove in trunnion |
| | 70400-695 | | Cross hole in trunnion |
| 29 | ◆ | 1 | Charge Pump Adaptor (Identification drawing and parts list on page #10 & #11) |
| 30 | | 1 | Inner Gerotor |
| | 79004-611 | | 6.9 cm ³ /r [.42 in ³ /r] displacement, 6.35 mm [.25 in.] width |
| | 79004-605 | | 13.8 cm ³ /r [.84 in ³ /r] displacement, 12.7 mm [.5 in.] width |
| 31 | | 1 | Outer Gerotor |
| | 79004-612 | | 6.9 cm ³ /r [.42 in ³ /r] displacement, 6.35 mm [.25 in.] width |
| | 79004-606 | | 13.8 cm ³ /r [.84 in ³ /r] displacement, 12.7 mm [.5 in.] width |
| 32 | | 1 | Key, Drive Shaft |
| | 16246-516 | | Used with 25.4 mm[1.00 in] dia. drive shaft. |
| | 24500-619 | | Used with 22.2 mm [.875 in] dia. drive shaft. |
| 33 | 16007-14 | 1 | O-ring (In K2 & K3 kit) |
| 35 | 70411-605 | 1 | Mounting Bracket |
| 36 | 70142-600 | 1 | Cover Plate (In K3 kit) |

Parts List

| | | | |
|--------|-----------|---|--|
| 37 | 16103-108 | 1 | Plug Assembly |
| + 37-1 | 16133-8 | 1 | O-ring, 2.21 mm Dia. x 16.36 mm ID. [.087 in. Dia. x .644 in. ID.] |
| 38 | 15222-20 | 1 | Key, Gerotor Pump Adapter |
| +n 39 | 70342-600 | 1 | Molded O-ring |
| 40 | 16048-113 | 2 | Washer |
| 41 | 16048-319 | 1 | Washer |
| 42 | 16246-523 | 1 | Key, Camplate Trunnion |
| 43 | 16032-610 | 2 | Cap Screws, Cover Plate (In K3 kit) |
| 52 | 16103-306 | 1 | Plug Assembly |
| 52-1 | 16133-6 | 1 | O-ring, 1.98 mm Dia. x 11.89 mm ID. [.078 in. Dia. x .468 in. ID.] |
| 53 | 16103-306 | 1 | Plug Assembly |
| 53-1 | 16133-6 | 1 | O-ring, 1.98 mm Dia. x 11.89 mm ID. [.078 in. Dia. x .468 in. ID.] |

Mounting Kits

| | | | |
|------|-----------|---|---|
| K1 | 70342-905 | 1 | Tandem Piston Pump Mounting Kit |
| K1-1 | 70411-622 | 1 | 41T Coupler, 33.02 mm [1.3 in.] long |
| K1-2 | 16007-17 | 1 | O-ring, 1.59 mm Dia. x 101.6 mm ID. [.0625 in. Dia. x 4 in. ID.] |
| K1-3 | 16032-812 | 2 | Cap Screws |
| K2 | 70442-929 | 1 | Gear Pump Mounting Kit |
| K2-1 | 16007-14 | 1 | O-ring, 1.59 mm Dia. x 82.55 mm ID. [.0625 in. Dia. x 3.25 in. ID.] |
| K2-2 | 16048-113 | 1 | Washer |
| K2-3 | 16032-612 | 2 | Cap Screws |
| K3 | 70142-915 | 1 | Cover Plate Kit |
| K3-1 | 16007-14 | 1 | O-ring, 1.59 mm Dia. x 82.55 mm ID. [.0625 in. Dia. x 3.25 in. ID.] |
| K3-2 | 70142-600 | 1 | Cover Plate |
| K3-3 | 16032-610 | 2 | Cap Screws |

Seal Repair Kits

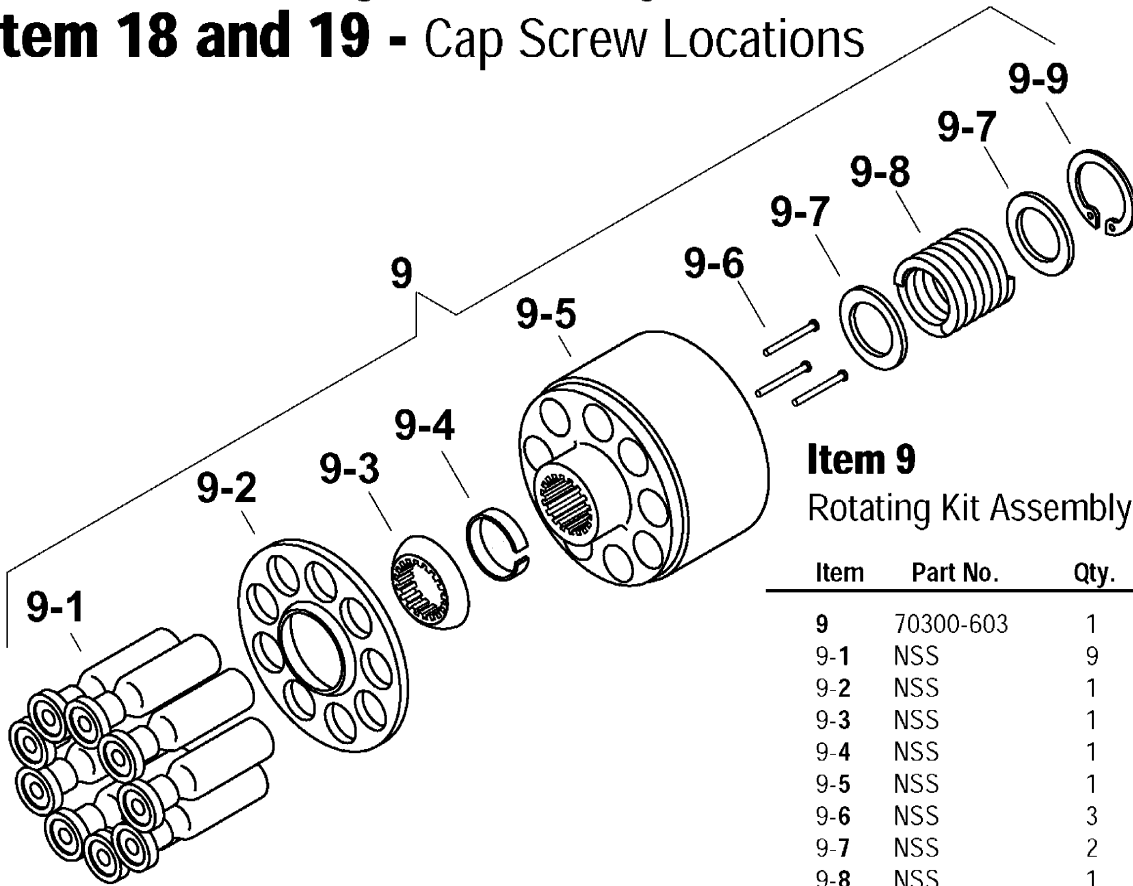
| | | | |
|---|-----------|---|--|
| • | 70342-900 | 1 | Seal Repair Kit for 70342 piston pump. |
| • | 70342-901 | 1 | Seal Repair Kit for 70342 piston pump (Shaft seal not included). |
| • | 70342-902 | 1 | Seal Repair Kit for 70342 piston pump (Includes dump valve seals). |
| • | 70344-900 | 1 | Seal Repair Kit for 70344 piston pump (Shaft seal not included). |
| • | 70344-902 | 1 | Seal Repair Kit for 70344 piston pump. |

Legend

- ◆ Refer to specific item parts list.
- + Common parts to seal repair kits listed.
- +o Parts included in the 70342-902 and 70344-902 along with common parts.
- +n Parts included in the 70342-900, 70342-901, and 70342-902 along with common parts.

Item 9 - Rotating Kit Assembly

Item 18 and 19 - Cap Screw Locations



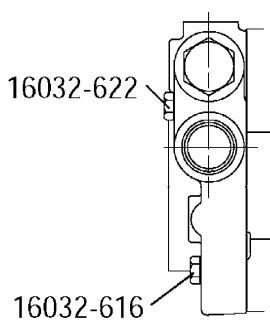
Item 9
Rotating Kit Assembly

| Item | Part No. | Qty. | Description |
|------|-----------|------|--------------------|
| 9 | 70300-603 | 1 | Rotating Kit Assy. |
| 9-1 | NSS | 9 | Piston Assembly |
| 9-2 | NSS | 1 | Spider |
| 9-3 | NSS | 1 | Spider Pivot |
| 9-4 | NSS | 1 | Retainer |
| 9-5 | NSS | 1 | Piston Block |
| 9-6 | NSS | 3 | Pins |
| 9-7 | NSS | 2 | Washer |
| 9-8 | NSS | 1 | Spring |
| 9-9 | NSS | 1 | Retaining Ring |

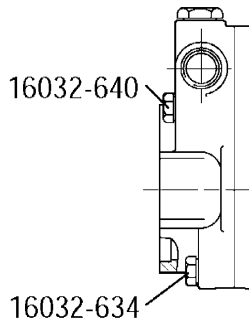
NSS - Not Sold Separately

Item 18 and 19

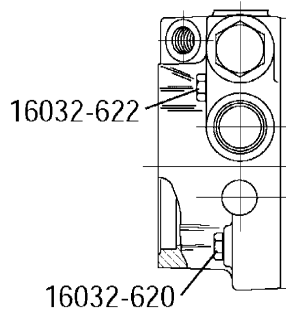
Cap Screw Locations



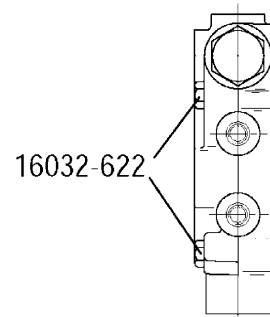
Rear "A" Flange,
without Gerotor,
Opposite Side Porting



Rear "A" Flange,
with Gerotor,
Opposite Side Porting



Rear "B" Flange,
without Gerotor,
Opposite Side Porting



Rear "A" Flange,
without Gerotor,
Same Side Porting

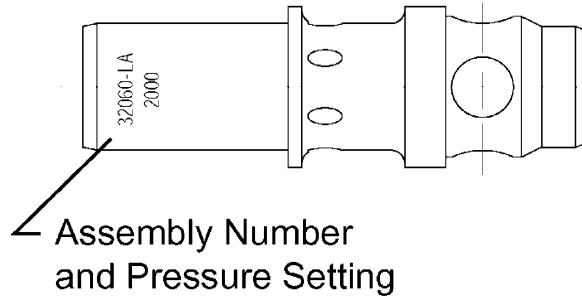
Item 22 or 23 - Relief Valve

Item 24 - Housing Identification

Item 22 or 23

Internal Relief Valve Settings Available

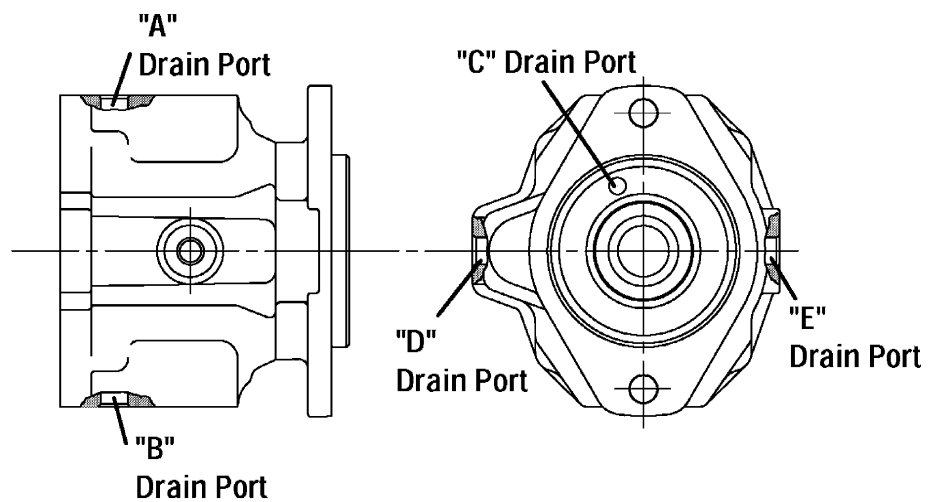
| Part Number | bar [lbf/in ²] |
|-------------|----------------------------|
| 32060-LA | 138 [2000] |
| 32060-QA | 172 [2500] |
| 32060-UA | 207 [3000] |
| 32060-WA | 241 [3500] |
| 32060-ZA | 276 [4000] |
| 32060-XA | 310 [4500] |
| 32060-IA | 345 [5000] |
| 70111-518 | Seat, Valve |



Item 24

Housing Identification

| Item | Part No. | Port Machined |
|------|-----------|---------------|
| 24 | 70300-315 | A, C |
| | 70300-316 | None |
| | 70300-318 | E |
| | 70300-320 | C |
| | 70300-322 | A |
| | 70300-324 | B, C |
| | 70300-326 | D |
| | 70300-328 | B |
| | 70300-377 | C, D |
| | 70300-381 | A, B |
| | 70300-383 | A, B, C |



Drain Port Sizes:

Drain Port A, B, D, and E are 9/16-18 SAE Str. Thd.
 Thru Drain Port C is 9.55[.376] dia.

Item 25 - Backplate Assembly Identification

Item 25 - Parts List (Refer to Identification chart and drawings)

| Item | Part No. | Qty. | Description |
|-----------|-----------------|------|--|
| 25 | See Chart Below | | Backplate Assembly |
| 25-1 | 52200-23 | 1 | Bearing |
| 25-2 | 16026-610 | 1 | Dowel Pin |
| 25-3 | 70300-610 | 1 | Dump Valve Assembly |
| +o 25-3-1 | 16078-6 | 1 | Retaining Ring |
| 25-3-2 | 70300-609 | 1 | Separator Plug |
| + 25-3-3 | 16133-8 | 1 | O-ring, 2.38 mm Dia. x 16.27 mm I.D. [.0937 in. Dia. x .6406 in. I.D.] |
| 25-3-4 | 70411-502 | 1 | Spreader |
| +o 25-3-5 | 16003-7 | 1 | O-ring, 1.59 mm Dia. x 9.53 mm I.D. [.0625 in. Dia. x .375 in. I.D.] |
| 25-3a | 16103-108 | 1 | Plug Assembly, Hex |
| + 25-3-3 | 16133-8 | 1 | O-ring, 2.38 mm Dia. x 16.27 mm I.D. [.0937 in. Dia. x .6406 in. I.D.] |
| 25-3b | 16103-308 | 1 | Plug Assembly, Internal Hex Socket |
| + 25-3-3 | 16133-8 | 1 | O-ring, 2.38 mm Dia. x 16.27 mm I.D. [.0937 in. Dia. x .6406 in. I.D.] |
| 25-4 | 70400-501 | 1or2 | Cartridge, Bleed-off |
| 25-5 | 16133-5 | 1or2 | O-ring, 1.83 mm Dia. x 10.5 mm I.D. [.072 in. Dia. .414 in. I.D.] |
| 25-6 | 17023-12 | 1or2 | Spring |
| 25-7 | 70400-508 | 1or2 | Poppet, Bleed-off Valve |

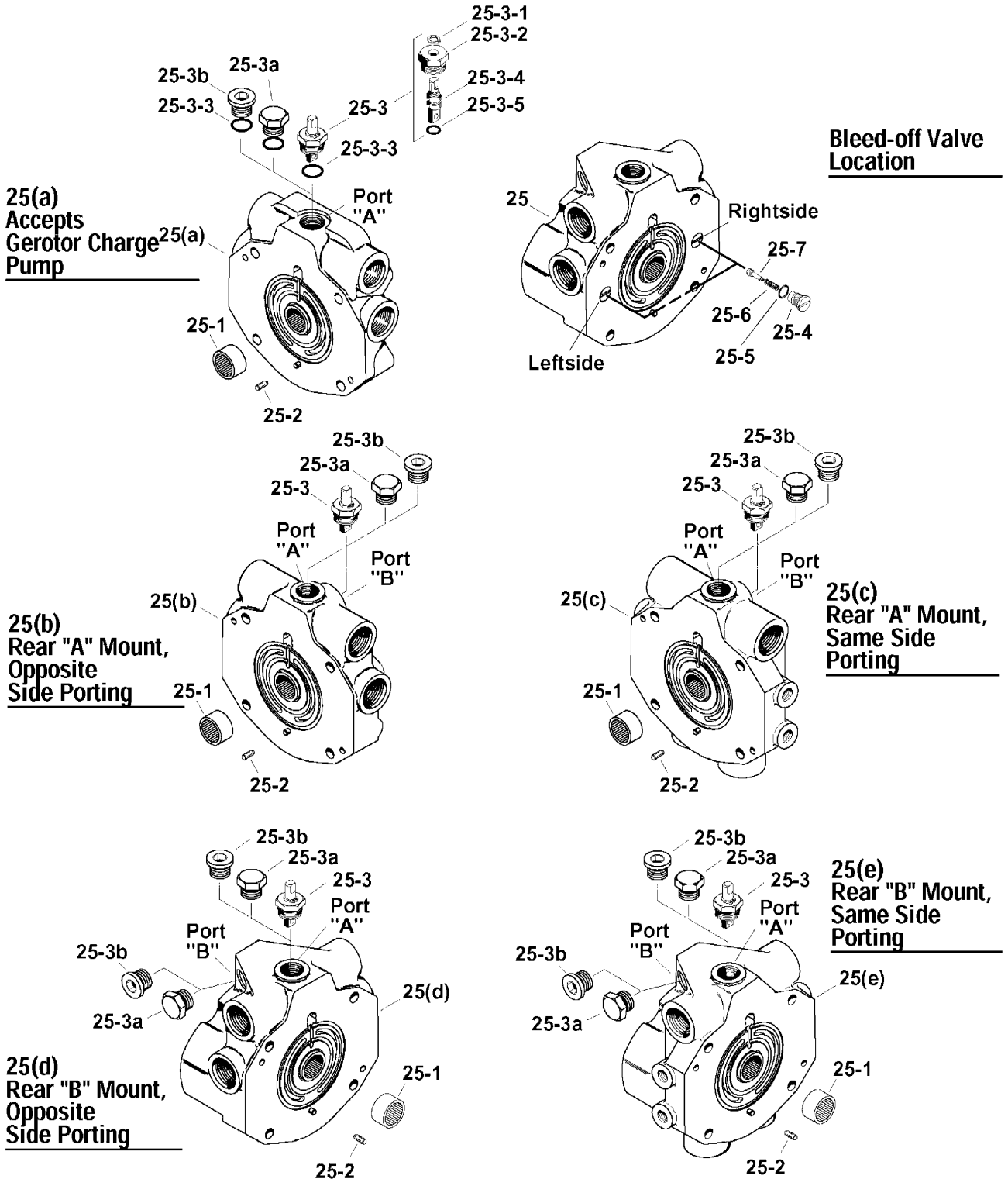
Legend + Common parts to seal repair kits listed.
+o Parts included in the 70342-902 and 70344-902 along with common parts.

Item 25

Backplate Assembly Identification (Refer to drawings on page #9)

| Description | Assembly Part Number | Aux. Port Machined | "A" Aux. Port Plug | "B" Aux. Port Plug | "A" Aux. Port Dump Valve | "B" Aux. Port Dump Valve | Bleed-off Valve Left | Bleed-off Valve Right |
|---|--|------------------------|--------------------------|--------------------|--------------------------|--------------------------|----------------------|-----------------------|
| 25(a) - Accepts Gerotor Charge Pump | 70300-413 70300-426 | A A | Item 25-3a | | Item 25-3 | | | |
| 25(b) - Rear "A" Mount, Opposite Side Porting | 70300-409 70300-415 | A A, B | | | | Item 25-3 | | |
| 25(c) - Rear "A" Mount, Same Side Porting | 70300-403 70300-421 70300-437 | A, B A, B A, B | Item 25-3a Item 25-3b | Item 25-3b | | | | |
| 25(d) - Rear "B" Mount, Opposite Side Porting | 70300-407 70300-411 70300-439 70390-410 | A A, B A, B A | Item 25-3a | | Item 25-3 | | Yes | Yes |
| 25(e) - Rear "B" Mount, Same Side Porting | 70300-401 70300-418 70390-403 | A, B A, B A, B | Item 25-3a Item 25-3b | Item 25-3a | | | Yes | |

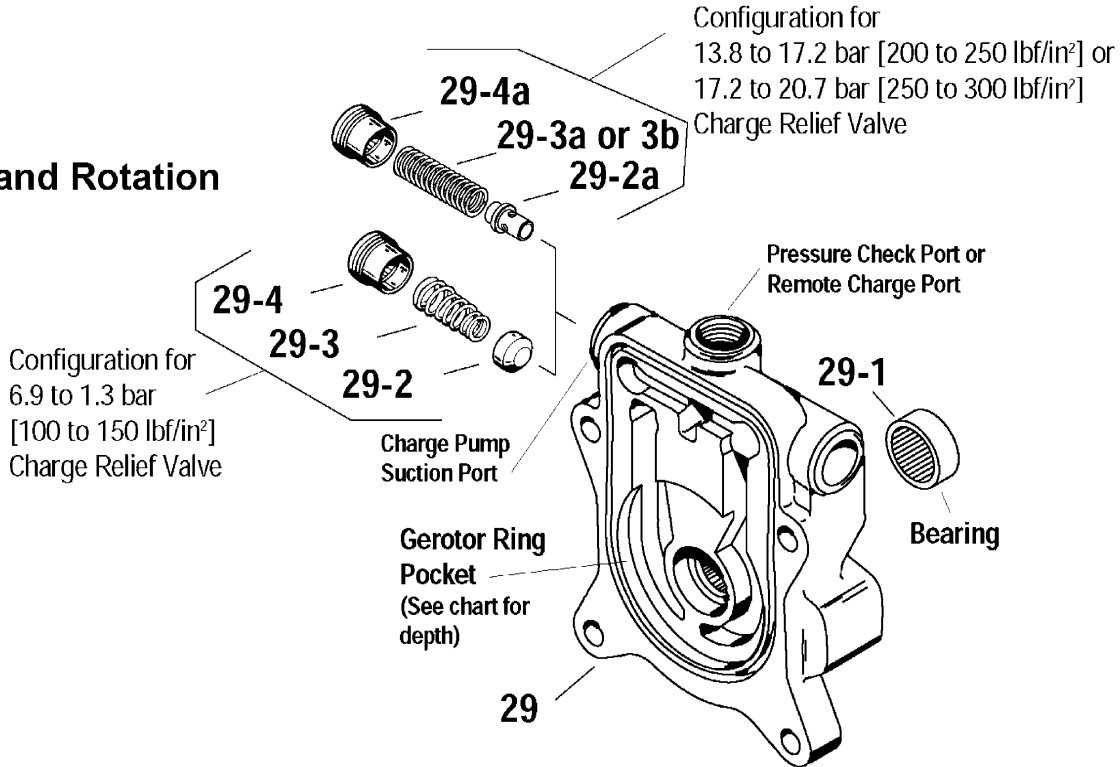
Item 25 - Backplate Assembly Identification



Item 29 -

Charge Pump Adapter Assembly Identification

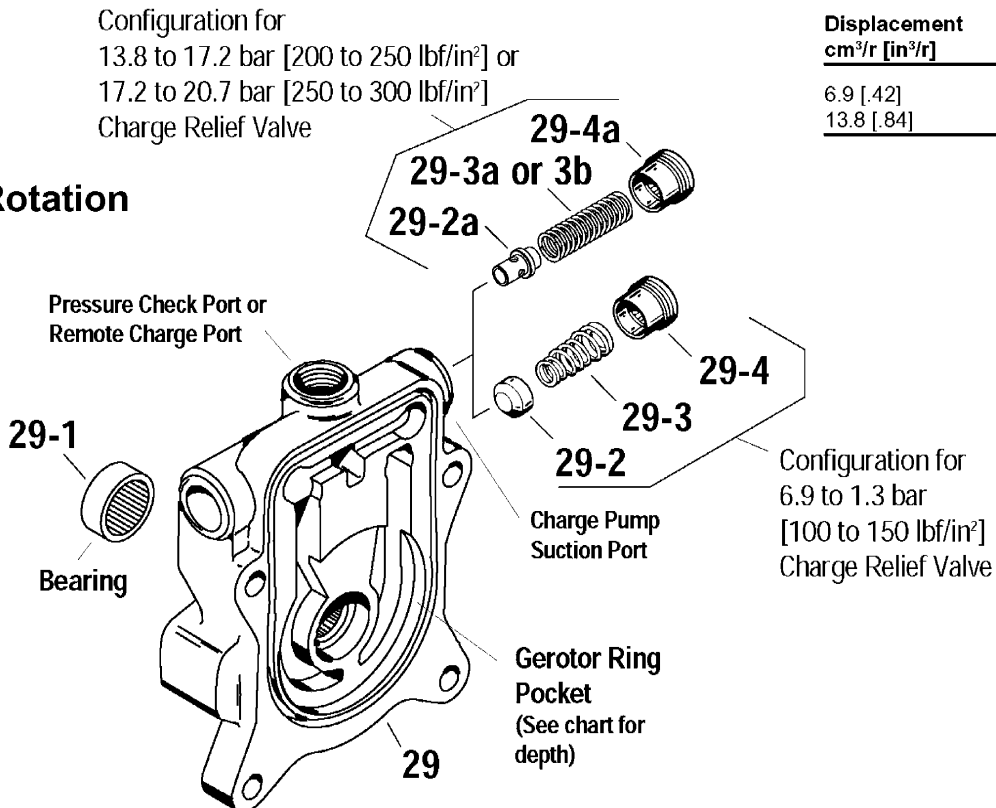
Righthand Rotation



Gerotor Pocket Depth

| Displacement cm ³ /r [in ³ /r] | Depth of Pocket mm [in.] |
|---|-----------------------------|
| 6.9 [.42] | 6.35 [.25] |
| 13.8 [.84] | 12.7 [.50] |

Lefthand Rotation



Item 29 - Charge Pump Adapter Assembly

No Charge Relief

| Item | Part No. | Qty. | Description | Rotation | Displacement |
|------|------------|------|-------------------------------|-----------|--|
| 29 | 70440-369 | 1 | Assembly, Charge Pump Adapter | Righthand | 13.8 cm ³ /r [.84 in ³ /r] |
| 29-1 | 16239-1148 | 1 | Bearing (press fit) | | |

6.9 to 1.3 bar [100 to 150 lbf/in²] Charge Relief Setting

| Item | Part No. | Qty. | Description | Rotation | Displacement |
|------|------------|------|-------------------------------|-----------|--|
| 29 | 70442-356 | 1 | Assembly, Charge Pump Adapter | Righthand | 6.88 cm ³ /r [.42 in ³ /r] |
| | 70442-368 | 1 | Assembly, Charge Pump Adapter | Lefthand | 13.8 cm ³ /r [.84 in ³ /r] |
| | 70442-374 | 1 | Assembly, Charge Pump Adapter | Righthand | 13.8 cm ³ /r [.84 in ³ /r] |
| | 70442-389 | 1 | Assembly, Charge Pump Adapter | Lefthand | 6.88 cm ³ /r [.42 in ³ /r] |
| 29-1 | 16239-1148 | 1 | Bearing (press fit) | | |
| 29-2 | 70111-507 | 1 | Poppet, Cup | | |
| 29-3 | 17000-48B | 1 | Spring, Tapered | | |
| 29-4 | 70400-505 | 1 | Spring Retainer | | |

13.8 to 17.2 bar [200 to 250 lbf/in²] Charge Relief Setting

| Item | Part No. | Qty. | Description | Rotation | Displacement |
|-------|------------|------|-------------------------------|-----------|--|
| 29 | 70440-363 | 1 | Assembly, Charge Pump Adapter | Lefthand | 6.88 cm ³ /r [.42 in ³ /r] |
| | 70440-371 | 1 | Assembly, Charge Pump Adapter | Righthand | 6.88 cm ³ /r [.42 in ³ /r] |
| | 70440-373 | 1 | Assembly, Charge Pump Adapter | Righthand | 13.8 cm ³ /r [.84 in ³ /r] |
| 29-1 | 16239-1148 | 1 | Bearing (press fit) | | |
| 29-2a | 70400-685 | 1 | Poppet, Pin | | |
| 29-3a | 17056-40 | 1 | Spring, Color "Light Green" | | |
| 29-4a | 70400-512 | 1 | Spring Retainer | | |

17.2 to 20.7 bar [250 to 300 lbf/in²] Charge Relief Setting

| Item | Part No. | Qty. | Description | Rotation | Displacement |
|-------|------------|------|-------------------------------|-----------|--|
| 29 | 70440-335 | 1 | Assembly, Charge Pump Adapter | Righthand | 6.88 cm ³ /r [.42 in ³ /r] |
| | 70440-374 | 1 | Assembly, Charge Pump Adapter | Righthand | 13.8 cm ³ /r [.84 in ³ /r] |
| 29-1 | 16239-1148 | 1 | Bearing (press fit) | | |
| 29-2a | 70400-685 | 1 | Poppet, Pin | | |
| 29-3b | 17056-41 | 1 | Spring, Color "Pink" | | |
| 29-4a | 70400-512 | 1 | Spring Retainer | | |

Item 27 - Drive Shaft Identification

| Part Number | Input Drive | Where Used | Output Drive |
|---|-------------|--------------------|------------------|
| | | Single Pump | 9 Tooth Internal |
| 70442-202 [15 Tooth] or 70442-209 [13 Tooth] | | Single Pump | 9 Tooth Internal |
| 70442-248 [15 Tooth] or 70442-297 [13 Tooth] | | Single Pump | 9 Tooth Internal |
| 70442-275 [1 in. Keyed] or 70440-200 [7/8 in. Keyed] | | Single Pump | 9 Tooth Internal |
| 70440-206 [Tapered] | | Tandem Front Pump | 41 Tooth |
| 70442-228 [15 Tooth] | | Tandem Front Pump | 41 Tooth |
| 70442-232 [Tapered] | | Tandem Middle Pump | 41 Tooth |
| 70440-203 [41 Tooth] | | Tandem Rear Pump | 9 Tooth Internal |
| 70440-229 [41 Tooth] | | Tandem Rear Pump | 9 Tooth Internal |
| 70440-299 [41 Tooth] | | Tandem Rear Pump | 9 Tooth Internal |

Product Number - Parts List for Single Pumps

This list of product numbers is to aid in item identification. If your product number is not listed contact your Eaton representative.

| Description | Cap Screw #18 | Cap Screw #19 | Shaft Seal #20 | Relief Valve "C" #22 | Relief Valve "D" #23 | Housing Assembly #24 | Backplate Assembly #25 | Drive Shaft #27 | Camplate #28 | Adapter Assembly #29 | Inner Gerotor #30 | Outer Gerotor #31 | Seal Repair Kit |
|---|---------------|---------------|----------------|----------------------|----------------------|----------------------|------------------------|-----------------|--------------|----------------------|-------------------|-------------------|-----------------|
| Single Pump with Lefthand Rotation (CCW) | | | | | | | | | | | | | |
| Product Number | | | | | | | | | | | | | |
| 70342-LAA | 16032-640 | 16032-634 | 16253-18 | 32060-IA | 32060-IA | 70300-322 | 70300-413 | 70442-275 | 70400-695 | 70442-389 | 79004-611 | 79004-612 | 70342-900 |
| 70342-LAB | 16032-640 | 16032-634 | 16253-18 | 32060-IA | 32060-IA | 70300-322 | 70300-413 | 70442-202 | 70400-695 | 70442-389 | 79004-611 | 79004-612 | 70342-900 |
| 70342-LAF | 16032-640 | 16032-634 | 16253-18 | 32060-IA | 32060-IA | 70300-322 | 70300-413 | 70442-209 | 70400-695 | 70442-389 | 79004-611 | 79004-612 | 70342-900 |
| 70342-LAJ | 16032-640 | 16032-634 | 16253-18 | 32060-IA | 32060-IA | 70300-322 | 70300-413 | 70442-209 | 70400-618 | 70442-389 | 79004-611 | 79004-612 | 70342-900 |
| 70342-LAK | 16032-640 | 16032-634 | 16253-18 | 32060-IA | 32060-IA | 70300-322 | 70300-413 | 70442-200 | 70400-618 | 70442-389 | 79004-611 | 79004-612 | 70342-900 |
| 70342-LAL | 16032-640 | 16032-634 | 16253-18 | 32060-IA | 32060-IA | 70300-328 | 70300-413 | 70442-202 | 70400-618 | 70442-389 | 79004-611 | 79004-612 | 70342-900 |
| 70342-LAM | 16032-640 | 16032-634 | 16253-18 | 32060-IA | 32060-IA | 70300-328 | 70300-413 | 70442-275 | 70400-618 | 70442-389 | 79004-611 | 79004-612 | 70342-900 |
| 70342-LAN | 16032-640 | 16032-634 | 16253-18 | 32060-IA | 32060-IA | 70300-328 | 70300-413 | 70442-209 | 70400-618 | 70442-389 | 79004-611 | 79004-612 | 70342-900 |
| 70342-LAW | 16032-640 | 16032-634 | 16253-18 | 70111-518 | 70111-518 | 70300-322 | 70300-413 | 70442-209 | 70400-618 | 70442-389 | 79004-611 | 79004-612 | 70342-900 |
| 70342-LBJ | 16032-640 | 16032-634 | 16253-18 | 32060-IA | 32060-IA | 70300-322 | 70300-413 | 70442-209 | 70400-695 | 70442-389 | 79004-611 | 79004-612 | 70342-900 |
| 70342-LBL | 16032-640 | 16032-634 | 16253-18 | 32060-IA | 32060-IA | 70300-328 | 70300-413 | 70442-209 | 70400-695 | 70442-389 | 79004-611 | 79004-612 | 70342-900 |
| 70342-LBQ | 16032-640 | 16032-634 | 16253-18 | 32060-LA | 32060-LA | 70300-322 | 70300-413 | 70442-209 | 70400-618 | 70442-389 | 79004-611 | 79004-612 | 70342-900 |
| 70342-LBR | 16032-640 | 16032-634 | 16253-18 | 32060-WA | 32060-WA | 70300-322 | 70300-413 | 70442-202 | 70400-695 | 70442-389 | 79004-611 | 79004-612 | 70342-900 |

| Description | Cap Screw #18 | Cap Screw #19 | Shaft Seal #20 | Relief Valve "C" #22 | Relief Valve "D" #23 | Housing Assembly #24 | Backplate Assembly #25 | Drive Shaft #27 | Camplate #28 | Adapter Assembly #29 | Inner Gerotor #30 | Outer Gerotor #31 | Seal Repair Kit |
|---|---------------|---------------|----------------|----------------------|----------------------|----------------------|------------------------|-----------------|--------------|----------------------|-------------------|-------------------|-----------------|
| Single Pump with Righthand Rotation (CW) | | | | | | | | | | | | | |
| Product Number | | | | | | | | | | | | | |
| 70342-RAA | 16032-640 | 16032-634 | 16253-18 | 32060-IA | 32060-IA | 70300-322 | 70300-413 | 70442-275 | 70400-695 | 70442-356 | 79004-611 | 79004-612 | 70342-900 |
| 70342-RAJ | 16032-640 | 16032-634 | 16253-18 | 32060-IA | 32060-IA | 70300-322 | 70300-413 | 70442-202 | 70400-695 | 70442-356 | 79004-611 | 79004-612 | 70342-900 |
| 70342-RAM | 16032-640 | 16032-634 | 16253-18 | 32060-IA | 32060-IA | 70300-322 | 70300-413 | 70442-209 | 70400-695 | 70442-356 | 79004-611 | 79004-612 | 70342-900 |
| 70342-RAQ | 16032-640 | 16032-634 | 16253-18 | 32060-IA | 32060-IA | 70300-322 | 70300-413 | 70442-209 | 70400-618 | 70442-356 | 79004-611 | 79004-612 | 70342-900 |
| 70342-RAR | 16032-640 | 16032-634 | 16253-18 | 32060-IA | 32060-IA | 70300-322 | 70300-413 | 70440-200 | 70400-618 | 70442-356 | 79004-611 | 79004-612 | 70342-900 |
| 70342-RAS | 16032-640 | 16032-634 | 16253-18 | 32060-IA | 32060-IA | 70300-328 | 70300-413 | 70442-202 | 70400-618 | 70442-356 | 79004-611 | 79004-612 | 70342-900 |
| 70342-RAT | 16032-640 | 16032-634 | 16253-18 | 32060-IA | 32060-IA | 70300-328 | 70300-413 | 70442-275 | 70400-618 | 70442-356 | 79004-611 | 79004-612 | 70342-900 |
| 70342-RAU | 16032-640 | 16032-634 | 16253-18 | 32060-IA | 32060-IA | 70300-328 | 70300-413 | 70442-209 | 70400-618 | 70442-356 | 79004-611 | 79004-612 | 70342-900 |
| 70342-RAX | 16032-640 | 16032-634 | 16253-18 | 32060-IA | 32060-IA | 70300-328 | 70300-413 | 70442-209 | 70400-618 | 70442-356 | 79004-611 | 79004-612 | 70342-900 |
| 70342-RAY | 16032-640 | 16032-634 | 16253-18 | 32060-WA | 32060-WA | 70300-322 | 70300-413 | 70442-202 | 70400-618 | 70442-374 | 79004-605 | 79004-606 | 70342-900 |
| 70342-RAZ | 16032-640 | 16032-634 | 16253-18 | 32060-IA | 32060-IA | 70300-322 | 70300-413 | 70442-209 | 70400-695 | 70442-356 | 79004-611 | 79004-612 | 70342-900 |
| 70342-RBN | 16032-640 | 16032-634 | 16253-18 | 32060-IA | 32060-IA | 70300-322 | 70300-413 | 70442-209 | 70400-695 | 70440-371 | 79004-611 | 79004-612 | 70342-900 |
| 70342-RBP | 16032-640 | 16032-634 | 16253-18 | 32060-IA | 32060-IA | 70300-328 | 70300-413 | 70442-200 | 70400-618 | 70442-374 | 79004-605 | 79004-606 | 70342-900 |
| 70342-RBV | 16032-640 | 16032-634 | 16253-18 | 32060-ZA | 32060-ZA | 70300-322 | 70300-413 | 70442-202 | 70400-695 | 70442-356 | 79004-611 | 79004-612 | 70342-900 |
| 70342-RBW | 16032-640 | 16032-634 | 16253-18 | 32060-WA | 32060-WA | 70300-322 | 70300-413 | 70442-202 | 70400-695 | 70442-356 | 79004-611 | 79004-612 | 70342-900 |
| 70342-RCA | 16032-640 | 16032-634 | 16253-18 | 32060-ZA | 32060-ZA | 70300-322 | 70300-426 | 70442-202 | 70400-618 | 70440-335 | 79004-611 | 79004-612 | 70342-900 |
| 70342-RCB | 16032-640 | 16032-634 | 16253-18 | 32060-IA | 32060-IA | 70300-322 | 70300-413 | 70442-209 | 70400-695 | 70442-374 | 79004-605 | 79004-606 | 70342-900 |
| 70342-RCC | 16032-640 | 16032-634 | 16253-18 | 32060-IA | 32060-IA | 70300-322 | 70300-413 | 70442-202 | 70400-695 | 70440-371 | 79004-611 | 79004-612 | 70342-900 |
| 70342-RCD | 16032-640 | 16032-634 | 16253-18 | 32060-IA | 32060-IA | 70300-322 | 70300-413 | 70442-209 | 70400-695 | 70442-356 | 79004-611 | 79004-612 | 70342-900 |
| 70342-RCH | 16032-640 | 16032-634 | 16253-18 | 32060-IA | 32060-IA | 70300-322 | 70300-426 | 70442-209 | 70400-695 | 70442-356 | 79004-611 | 79004-612 | 70342-900 |
| 70342-RCH | 16032-640 | 16032-634 | 16253-18 | 32060-IA | 32060-IA | 70300-322 | 70300-426 | 70442-209 | 70400-695 | 70442-356 | 79004-611 | 79004-612 | 70342-900 |
| 70342-RCJ | 16032-640 | 16032-634 | 16253-18 | 32060-WA | 32060-WA | 70300-322 | 70300-413 | 70442-209 | 70400-618 | 70442-356 | 79004-611 | 79004-612 | 70342-900 |
| 70342-RCK | 16032-640 | 16032-634 | 16253-18 | 32060-SA | 32060-SA | 70300-322 | 70300-413 | 70442-275 | 70400-695 | 70442-356 | 79004-611 | 79004-612 | 70342-900 |
| 70342-RCK | 16032-640 | 16032-634 | 16253-18 | 32060-SA | 32060-SA | 70300-322 | 70300-426 | 70442-275 | 70400-695 | 70442-356 | 79004-611 | 79004-612 | 70342-900 |
| 70344-RBR | 16032-622 | 16032-616 | 16253-18 | 32060-IA | 32060-IA | 70300-322 | 70300-415 | 70442-297 | 70400-618 | --- | --- | --- | 70344-902 |
| 70344-RCC | 16032-622 | 16032-616 | 16253-18 | 32060-IA | 32060-IA | 70300-322 | 70300-409 | 70442-248 | 70400-695 | --- | --- | --- | 70344-900 |

Product Number - Parts List for Tandem Front Pump

This list of product numbers is to aid in Item identification. If your product number is not listed contact your Eaton representative.

| Description | Cap Screw | Cap Screw | Shaft Seal | Relief Valve "C" | Relief Valve "D" | Housing Assembly | Backplate Assembly | Drive Shaft | Camplate | |
|---|-----------|-----------|------------|------------------|------------------|------------------|--------------------|-------------|-----------|-----------|
| Item | #18 | #19 | #20 | #22 | #23 | #24 | #25 | #27 | #28 | |
| Tandem Front Pump with Lefthand Rotation (CCW) | | | | | | | | | | |
| Product Number | | | | | | | | | | |
| 70344-LAM | 16032-622 | 16032-620 | 16253-18 | 70111-518 | 70111-518 | 70300-316 | 70300-407 | 70442-228 | 70400-618 | 70344-900 |
| 70344-LAP | 16032-622 | 16032-620 | 16253-18 | 32060-UA | 32060-UA | 70300-316 | 70300-407 | 70442-228 | 70400-618 | 70344-900 |
| 70344-LAR | 16032-622 | 16032-620 | 16253-18 | 32060-WA | 32060-WA | 70300-316 | 70300-407 | 70442-228 | 70400-695 | 70344-900 |
| 70344-LAS | 16032-622 | 16032-620 | 16253-18 | 32060-ZA | 32060-ZA | 70300-316 | 70300-407 | 70442-228 | 70400-695 | 70344-900 |
| 70344-LAT | 16032-622 | 16032-620 | 16253-18 | 32060-UA | 32060-UA | 70300-316 | 70300-407 | 70442-228 | 70400-695 | 70344-900 |
| 70344-LAU | 16032-622 | 16032-620 | 16253-18 | 32060-XA | 32060-XA | 70300-316 | 70300-407 | 70442-228 | 70400-695 | 70344-900 |
| 70344-LAV | 16032-622 | 16032-620 | 16253-18 | 32060-ZA | 32060-ZA | 70300-316 | 70300-407 | 70442-228 | 70400-695 | 70344-900 |
| 70344-LBB | 16032-622 | 16032-620 | 16253-18 | 32060-IA | 32060-IA | 70300-316 | 70300-411 | 70442-228 | 70400-618 | 70344-902 |
| 70344-LBC | 16032-622 | 16032-620 | 16253-18 | 32060-IA | 32060-IA | 70300-316 | 70300-407 | 70442-228 | 70400-695 | 70344-900 |
| 70344-LBD | 16032-622 | 16032-620 | 16253-18 | 32060-IA | 32060-IA | 70300-316 | 70300-407 | 70442-228 | 70400-695 | 70344-900 |
| Tandem Front Pump with Righthand Rotation (CW) | | | | | | | | | | |
| Product Number | | | | | | | | | | |
| 70344-RAE | 16032-622 | 16032-622 | 16253-18 | 70111-518 | 32060-UA | 70300-318 | 70300-401 | 70442-232 | 70400-618 | 70344-900 |
| 70344-RAG | 16032-622 | 16032-622 | 16253-18 | 70111-518 | 32060-WA | 70300-318 | 70300-401 | 70442-232 | 70400-618 | 70344-900 |
| 70344-RAL | 16032-622 | 16032-620 | 16253-18 | 32060-UA | 32060-UA | 70300-316 | 70300-407 | 70442-228 | 70400-618 | 70344-900 |
| 70344-RAQ | 16032-622 | 16032-622 | 16253-18 | 32060-WA | 32060-WA | 70300-326 | 70300-403 | 70442-228 | 70400-618 | 70344-901 |
| 70344-RBA | 16032-622 | 16032-620 | 16253-18 | 32060-IA | 32060-IA | 70300-316 | 70300-407 | 70442-228 | 70400-618 | 70344-900 |
| 70344-RBG | 16032-622 | 16032-620 | 16253-18 | 32060-IA | 32060-IA | 70300-316 | 70300-407 | 70442-232 | 70400-618 | 70344-900 |
| 70344-RBL | 16032-622 | 16032-620 | 16253-18 | 32060-XA | 70111-518 | 70300-316 | 70300-411 | 70442-228 | 70400-618 | 70344-902 |
| 70344-RBM | 16032-622 | 16032-620 | 16253-18 | 32060-XA | 32060-XA | 70300-316 | 70300-407 | 70442-228 | 70400-618 | 70344-900 |
| 70344-RBN | 16032-622 | 16032-620 | 16253-18 | 32060-UA | 32060-UA | 70300-316 | 70300-411 | 70442-228 | 70400-618 | 70344-902 |
| 70344-RBP | 16032-622 | 16032-620 | 16253-18 | 32060-ZA | 32060-ZA | 70300-316 | 70300-411 | 70442-228 | 70400-618 | 70344-902 |
| 70344-RBQ | 16032-622 | 16032-620 | 16253-18 | 32060-XA | 32060-XA | 70300-316 | 70300-411 | 70442-228 | 70400-695 | 70344-902 |
| 70344-RBZ | 16032-622 | 16032-620 | 16253-18 | 32060-WA | 32060-WA | 70300-316 | 70300-407 | 70442-228 | 70400-695 | 70344-900 |
| 70344-RCA | 16032-622 | 16032-620 | 16253-18 | 32060-ZA | 32060-ZA | 70300-316 | 70300-407 | 70442-228 | 70400-695 | 70344-900 |
| 70344-RCB | 16032-622 | 16032-620 | 16253-18 | 32060-UA | 32060-UA | 70300-316 | 70300-407 | 70442-228 | 70400-695 | 70344-900 |
| 70344-RCC | 16032-622 | 16032-620 | 16253-18 | 32060-XA | 32060-XA | 70300-316 | 70300-407 | 70442-228 | 70400-695 | 70344-900 |
| 70344-RCD | 16032-622 | 16032-620 | 16253-18 | 32060-ZA | 32060-ZA | 70300-316 | 70300-407 | 70442-228 | 70400-695 | 70344-900 |
| 70344-RCE | 16032-622 | 16032-622 | 16253-18 | 32060-WA | 32060-WA | 70300-326 | 70300-403 | 70442-228 | 70400-618 | 70344-901 |
| 70344-RCG | 16032-622 | 16032-620 | 16253-18 | 32060-IA | 32060-IA | 70300-316 | 70300-411 | 70442-228 | 70400-695 | 70344-902 |
| 70344-RCK | 16032-622 | 16032-620 | 16253-18 | 32060-IA | 32060-IA | 70300-316 | 70300-410 | 70442-228 | 70400-618 | 70344-901 |
| 70344-RCM | 16032-622 | 16032-620 | 16253-18 | 32060-IA | 32060-IA | 70300-316 | 70300-411 | 70442-228 | 70400-618 | 70344-902 |
| 70344-RCN | 16032-622 | 16032-620 | 16253-18 | 32060-IA | 32060-IA | 70300-316 | 70300-407 | 70442-228 | 70400-695 | 70344-900 |
| 70344-RCP | 16032-622 | 16032-620 | 16253-18 | 32060-IA | 32060-IA | 70300-316 | 70300-407 | 70442-228 | 70400-695 | 70344-900 |
| 70344-RCS | 16032-622 | 16032-620 | 16253-18 | 32060-ZA | 32060-ZA | 70300-316 | 70300-411 | 70442-228 | 70400-695 | 70344-902 |

Product Number - Parts List for Tandem Rear Pump

This list of product numbers is to aid in item identification. If your product number is not listed contact your Eaton representative.

| Description | Cap Screw | Cap Screw | Spacer | Relief Valve "C" | Relief Valve "D" | Housing Assembly | Backplate Assembly | Drive Shaft | Complate | Adapter Assembly | Inner Gerotor | Outer Gerotor | Seal Repair Kit |
|--|-----------|-----------|-----------|------------------|------------------|------------------|--------------------|-------------|-----------|------------------|---------------|---------------|-----------------|
| Item | #18 | #19 | #20 | #22 | #23 | #24 | #25 | #27 | #28 | #29 | #30 | #31 | |
| Tandem Rear Pump with Lefthand Rotation (CCW) | | | | | | | | | | | | | |
| Product Number | | | | | | | | | | | | | |
| 70342-LAH | 16032-640 | 16032-634 | 70400-620 | 32060-IA | 32060-IA | 70300-315 | 70300-413 | 70442-299 | 70400-695 | 70442-368 | 79004-605 | 79004-606 | 70342-901 |
| 70342-LAQ | 16032-640 | 16032-634 | 70400-620 | 32060-IA | 32060-IA | 70300-315 | 70300-413 | 70442-299 | 70400-618 | 70442-368 | 79004-605 | 79004-606 | 70342-901 |
| 70342-LBG | 16032-640 | 16032-634 | 70400-620 | 32060-WA | 32060-WA | 70300-315 | 70300-413 | 70442-299 | 70400-695 | 70442-368 | 79004-605 | 79004-606 | 70342-901 |
| Tandem Rear Pump with Righthand Rotation (CW) | | | | | | | | | | | | | |
| Product Number | | | | | | | | | | | | | |
| 70342-RAN | 16032-640 | 16032-634 | 70400-620 | 32060-IA | 32060-IA | 70300-315 | 70300-413 | 70442-299 | 70400-695 | 70442-374 | 79004-605 | 79004-606 | 70342-901 |
| 70342-RAW | 16032-640 | 16032-634 | 70400-620 | 32060-IA | 32060-IA | 70300-315 | 70300-413 | 70442-299 | 70400-695 | 70442-374 | 79004-605 | 79004-606 | 70342-901 |
| 70342-RBD | 16032-640 | 16032-634 | 70400-620 | 32060-ZA | 32060-ZA | 70300-315 | 70300-426 | 70442-299 | 70400-618 | 70442-374 | 79004-605 | 79004-606 | 70342-902 |
| 70342-RBF | 16032-640 | 16032-634 | 70400-620 | 70111-518 | 32060-XA | 70300-315 | 70300-426 | 70442-299 | 70400-618 | 70442-374 | 79004-605 | 79004-606 | 70342-902 |
| 70342-RBJ | 16032-640 | 16032-634 | 70400-620 | 32060-UA | 32060-UA | 70300-315 | 70300-426 | 70442-299 | 70400-618 | 70442-374 | 79004-605 | 79004-606 | 70342-902 |
| 70342-RBL | 16032-640 | 16032-634 | 70400-620 | 32060-XA | 32060-XA | 70300-315 | 70300-426 | 70442-299 | 70400-695 | 70442-374 | 79004-605 | 79004-606 | 70342-902 |
| 70342-RBQ | 16032-640 | 16032-634 | 70400-620 | 32060-IA | 32060-IA | 70300-315 | 70300-426 | 70442-299 | 70400-695 | 70442-374 | 79004-605 | 79004-606 | 70342-902 |
| 70342-RBS | 16032-640 | 16032-634 | 70400-620 | 32060-UA | 32060-UA | 70300-315 | 70300-413 | 70442-299 | 70400-695 | 70442-374 | 79004-605 | 79004-606 | 70342-901 |
| 70342-RBT | 16032-640 | 16032-634 | 70400-620 | 32060-XA | 32060-XA | 70300-315 | 70300-413 | 70442-299 | 70400-695 | 70442-374 | 79004-605 | 79004-606 | 70342-901 |
| 70342-RBU | 16032-640 | 16032-634 | 70400-620 | 32060-ZA | 32060-ZA | 70300-315 | 70300-413 | 70442-299 | 70400-695 | 70442-374 | 79004-605 | 79004-606 | 70342-901 |
| 70342-RCE | 16032-640 | 16032-634 | 70400-620 | 32060-ZA | 32060-ZA | 70300-315 | 70300-426 | 70442-299 | 70400-695 | 70442-374 | 79004-605 | 79004-606 | 70342-902 |
| 70344-RAF | 16032-622 | 16032-622 | 70400-620 | 70111-518 | 32060-UA | 70300-320 | 70300-403 | 70442-229 | 70400-618 | --- | --- | --- | 70344-900 |
| 70344-RAH | 16032-622 | 16032-622 | 70400-620 | 70111-518 | 32060-WA | 70300-320 | 70300-403 | 70442-229 | 70400-618 | --- | --- | --- | 70344-900 |
| 70344-RAM | 16032-622 | 16032-616 | 70400-620 | 32060-UA | 32060-UA | 70300-324 | 70300-409 | 70442-229 | 70400-618 | --- | --- | --- | 70344-900 |
| 70344-RAR | 16032-622 | 16032-622 | 70400-620 | 70111-518 | 32060-WA | 70300-320 | 70300-403 | 70442-229 | 70400-618 | --- | --- | --- | 70344-900 |
| 70344-RBB | 16032-622 | 16032-616 | 70400-620 | 32060-IA | 32060-IA | 70300-324 | 70300-409 | 70442-229 | 70400-618 | --- | --- | --- | 70344-900 |
| 70344-RBU | 16032-622 | 16032-616 | 70400-620 | 32060-XA | 32060-XA | 70300-324 | 70300-409 | 70442-229 | 70400-618 | --- | --- | --- | 70344-900 |
| 70344-RCF | 16032-622 | 16032-622 | 70400-620 | 70111-518 | 32060-WA | 70300-320 | 70300-437 | 70442-229 | 70400-618 | --- | --- | --- | 70344-900 |

Each order must include the following information.

1. Product and/or Part Number
 2. Serial Number Code
 3. Part Name
 4. Quantity
-

Identification Numbers - Manually Variable Displacement Piston Pump

Stamped on each units mounting flange.

A - Product Number Description

70342 = Single Piston Pump with Gerotor

70344 = Single Piston Pump without Gerotor

78341 = Tandem Piston Pumps with Gerotor

78343 = Tandem Piston Pumps without Gerotor

B - Sequential Numbering

Single Pump - Product Number:

7 0 3 4 2 - R A A
 | |
 A B

Tandem Pumps - Product Number:

7 8 3 4 1 - R A B
 | |
 A B

Serial Number Code:

B 91 01 31 JB

Revision level of parts list.

Last two digits of year built.
(91 for 1991 etc.)

Testers Initials

Day of Month (two digits)

Month (two digits)

Eaton
Fluid Power Group
Hydraulics Group USA
14615 Lone Oak Road
Eden Prairie, MN 55344
USA
Tel: 952-937-9800
Fax: 952-294-7722
www.eaton.com/hydraulics

Eaton
Fluid Power Group
Hydraulics Group Europe
Route de la Longeraie 7
1110 Morges
Switzerland
Tel: +41 (0) 21 811 4600
Fax: +41 (0) 21 811 4601

Eaton
Fluid Power Group
Hydraulics Group Asia Pacific
11th Floor Hong Kong New World Tower
300 Huaihai Zhong Road
Shanghai 200021
China
Tel: 86-21-6387-9988
Fax: 86-21-6335-3912