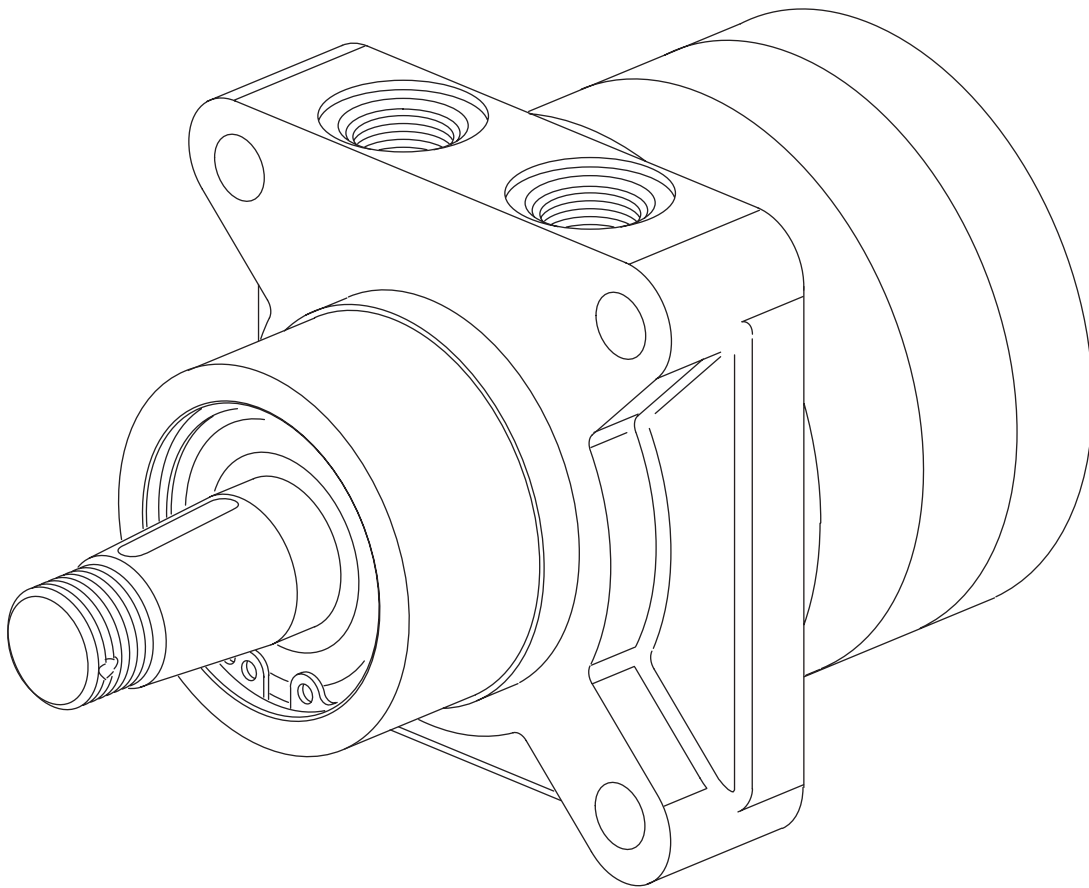


Char-Lynn®

Spool Valve Hydraulic Motors



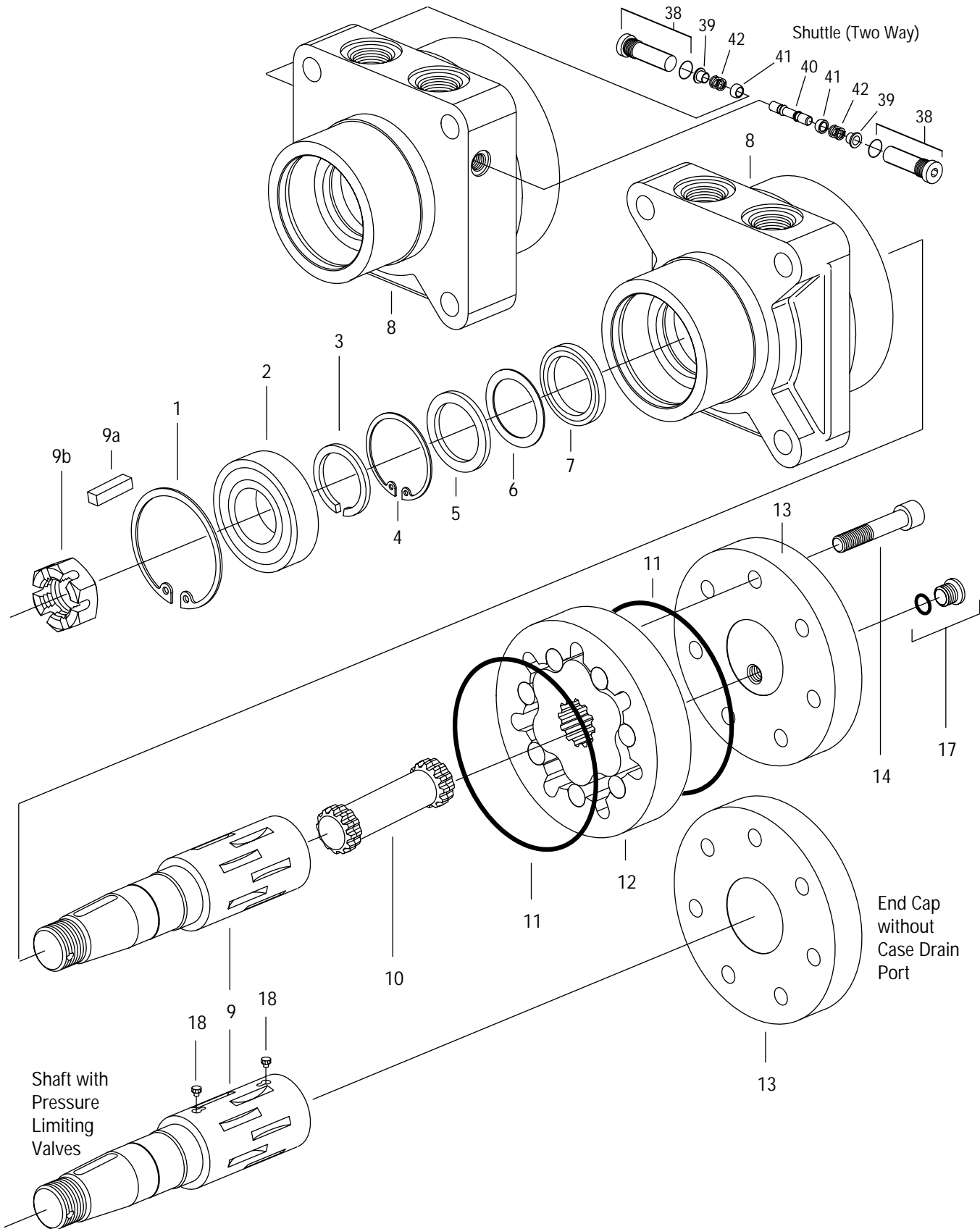
Parts Information



W Series
Geroler® Motors

003

W Series



W Series

Ref. No.	Part Number	Description	Quantity
X 1	14731-001	Ring, Retaining	1
X 2	14730-001	Bearing, Ball	1
X 3	14734-001	Ring, Retaining	1
X 4	14733-001	Ring, Retaining	1
X 5	202409-001	Washer	1
X 6	7382-000	Washer, Backup	1
X 7	9057-009	Seal, Pressure	1
8	202408-001	Housing — 7/8-14 UNF O-ring Port	1
	202408-002	Housing — G 1/2 (BSP) Straight Thread	1
	202081-001	Housing — 7/8-14 UNF O-ring Port — Shuttle Option	1
	202081-005	Housing — G 1/2 (BSP) Straight Thread — Shuttle Option	1
9	**	Shaft, Output	1
10	*	Drive	1
X 11	250003-046	O-ring	2
12	*	Geroler®	1
13	202590-001	End Cap — No Case Drain	1
	202590-002	End Cap — 7/16-20 UNF O-ring Case Drain Port	1
	202590-003	End Cap — G 1/4 (BSP) Straight Thread Case Drain Port	1
14	*	Cap Screw, Internal Hex Head	7
17	9072-003	Plug/O-ring S/A — 7/16-20 UNF	1
X	250003-905	O-ring	1
	9170-002	Plug/O-ring S/A — G 1/4 (BSP) includes Packing Ring	1
	NSS	Packing Ring	1
18	201971-001	Poppet (for Shaft, Output — with Internal Check Valve seats)	2
38	9293-001	Plug/O-ring S/A — Shuttle	2
X	250003-906	O-ring — Shuttle	2
39	8755-000	Dashpot — Shuttle	2
40	8566-000	Piston — Shuttle	2
41	8567-000	Poppet — Shuttle	2
42	230079-000	Spring — Shuttle	2
	60569-000	Seal Kit — Contains Parts Indicated by X	

*See Chart Ref. 14, 12, 10 Below

**See Chart Ref. 9 (Page 4)

NSS Not Sold Separately

Displacement cm ³ /r [in ³ /r]	Ref. No. 14 Screw, Cap Internal Hex		Ref. No. 12 Geroler®		Ref. No. 10 Drive	
	Length mm [inch]		Width mm [inch]		Length mm [inch]	
80 [4.9]	16319-616	44,4 [1.75]	201974-001	9,1 [.36]	201979-003	81,0 [3.19]
126 [7.7]	16319-622	57,1 [2.25]	201974-002	11,9 [.47]	201979-001	83,7 [3.30]
154 [9.4]	16319-624	63,5 [2.50]	201974-003	14,7 [.58]	201979-002	86,4 [3.40]
195 [11.9]	16319-624	63,5 [2.50]	201974-004	18,5 [.73]	22252-000	90,0 [3.54]
251 [15.3]	16319-626	69,8 [2.75]	201974-005	23,9 [.94]	22189-000	95,8 [3.77]
303 [18.5]	16319-630	76,2 [3.00]	201974-006	29,0 [1.14]	201979-005	100,8 [3.97]
374 [22.8]	16319-632	82,5 [3.25]	201974-007	35,6 [1.40]	201979-006	106,9 [4.21]

Spool Valve Hydraulic Motors

W Series

Output Shaft	Ref. No. 9 Shaft	No Check Valves (Low Speed Shaft)	Internal Check Valves (Low Speed Shaft)	No Check Valves (High Speed Shaft)	Internal Check Valves (High Speed Shaft)
02	1-1/4 inch Dia. 14 Tooth Splined	203514-002	202525-002	202615-002	202584-002
03	1-1/4 inch Dia. Tapered	203514-053	202525-053	202615-053	202584-053
04	32mm Dia. Straight with Key	203514-004	202525-004	202615-004	202584-004
06	1-1/4 inch Dia. Straight with Key	203514-006	202525-006	202615-006	202584-006
Key	14392-005				Qty. 1
Nut	14163-000				Qty. 1

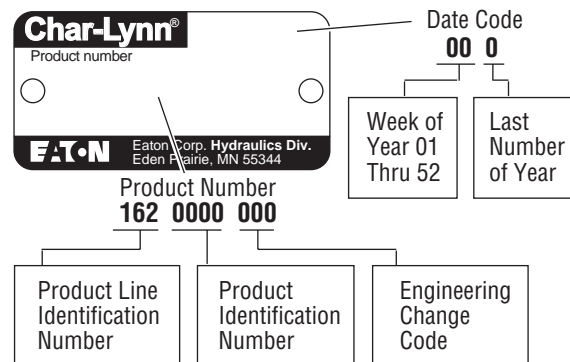
How to Order Replacement Parts

Each Order Must Include the Following:

1. Product Number
2. Date Code
3. Part Name
4. Part Number
5. Quantity of Parts

For More Detailed Information Contact Eaton Hydraulics
14615 Lone Oak Road Eden Prairie, MN 55344.

- Specifications and performance data, Catalog No. 11-111
- When servicing W Series refer to Repair Information 07-157. This repair manual lists tools required, and step by step disassembly and reassembly procedures.



Eaton
Fluid Power Group
Hydraulics Business USA
14615 Lone Oak Road
Eden Prairie, MN 55344
USA
Tel: 952-937-9800
Fax: 952-294-7722
www.eaton.com/hydraulics

Eaton
Fluid Power Group
Hydraulics Business Europe
Route de la Longeraie 7
1110 Morges
Switzerland
Tel: +41 (0) 21 811 4600
Fax: +41 (0) 21 811 4601

Eaton
Fluid Power Group
Hydraulics Business Asia Pacific
11th Floor Hong Kong New World Tower
300 Huaihai Zhong Road
Shanghai 200021
China
Tel: 86-21-6387-9988
Fax: 86-21-6335-3912