

Installation Information



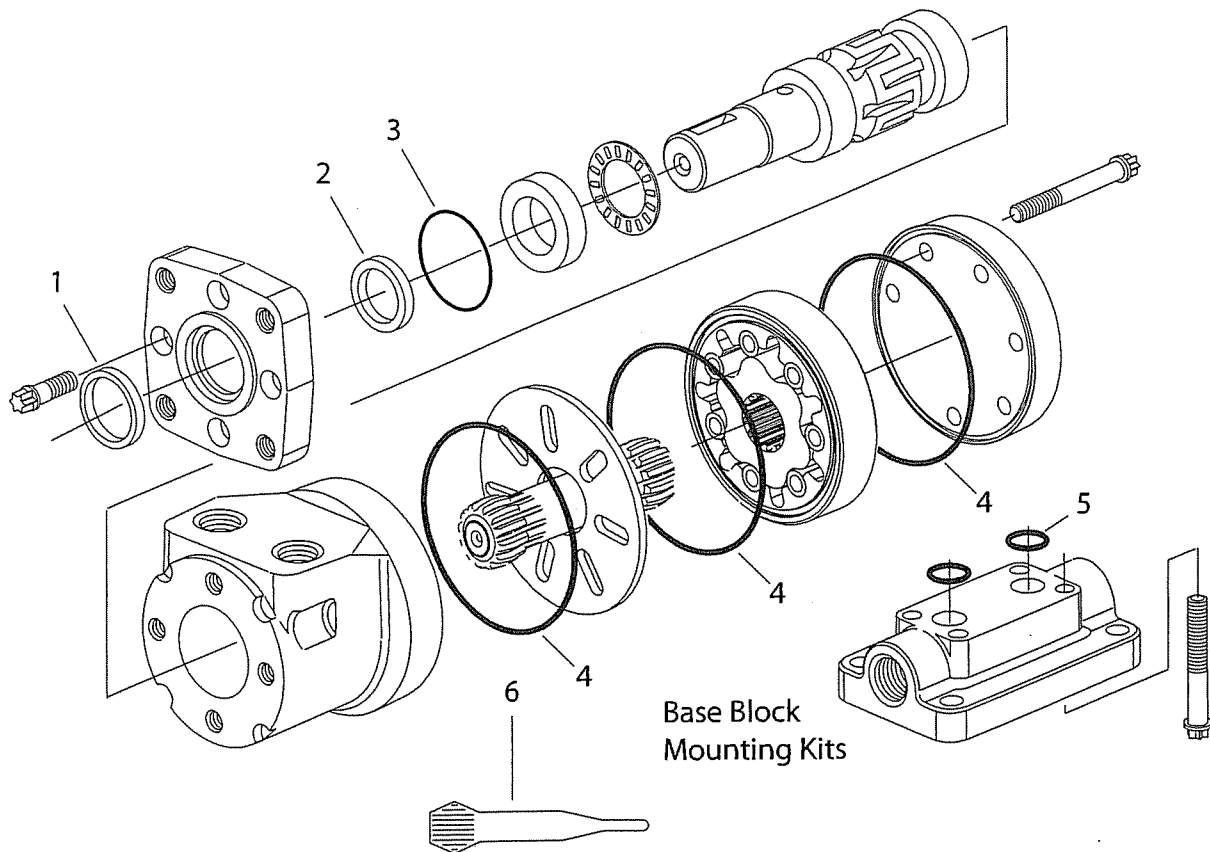
S Series - 012 Design
Char-Lynn® Motor
High Pressure Shaft Seal

9900098-000
Seal Kit

For more detailed information contact Eaton Hydraulics
14615 Lone Oak Road Eden Prairie, MN 55344.

- Specifications and performance data, Catalog No. E-MOLO-MC001-E
- Parts information and Repair information for "S" motors is C-M00V-TS001-E. This manual lists tools required, and step by step dis assembly and reassembly procedures

Ref. No.	Description (nominal size for ref. - mm [in.])	Qty.
1	Seal, Exclusion (33,5 [1.32] I.D.)	1
2	Seal, Shaft (37,54 [1.478] I.D.)	1
3	Seal (44,2 [1.74] O.D.)	1
4	Seal (91,9 [3.62] I.D.)	3
5	O-ring (12,37 [.487] I.D.)	2
6	Capsule, Loctite	1



Eaton
Fluid Power Group
Hydraulics Business USA
14615 Lone Oak Road
Eden Prairie, MN 55344
USA
Tel: 952-937-9800
Fax: 952-294-7722
www.eaton.com/hydraulics

Eaton
Fluid Power Group
Hydraulics Business Europe
Route de la Longeraie 7
1110 Morges
Switzerland
Tel: +41 (0) 21 811 4600
Fax: +41 (0) 21 811 4601

Eaton
Fluid Power Group
Hydraulics Business Asia Pacific
11th Floor Hong Kong New World Tower
300 Huaihai Zhong Road
Shanghai 200021
China
Tel: 86-21-6387-9988
Fax: 86-21-6335-3912