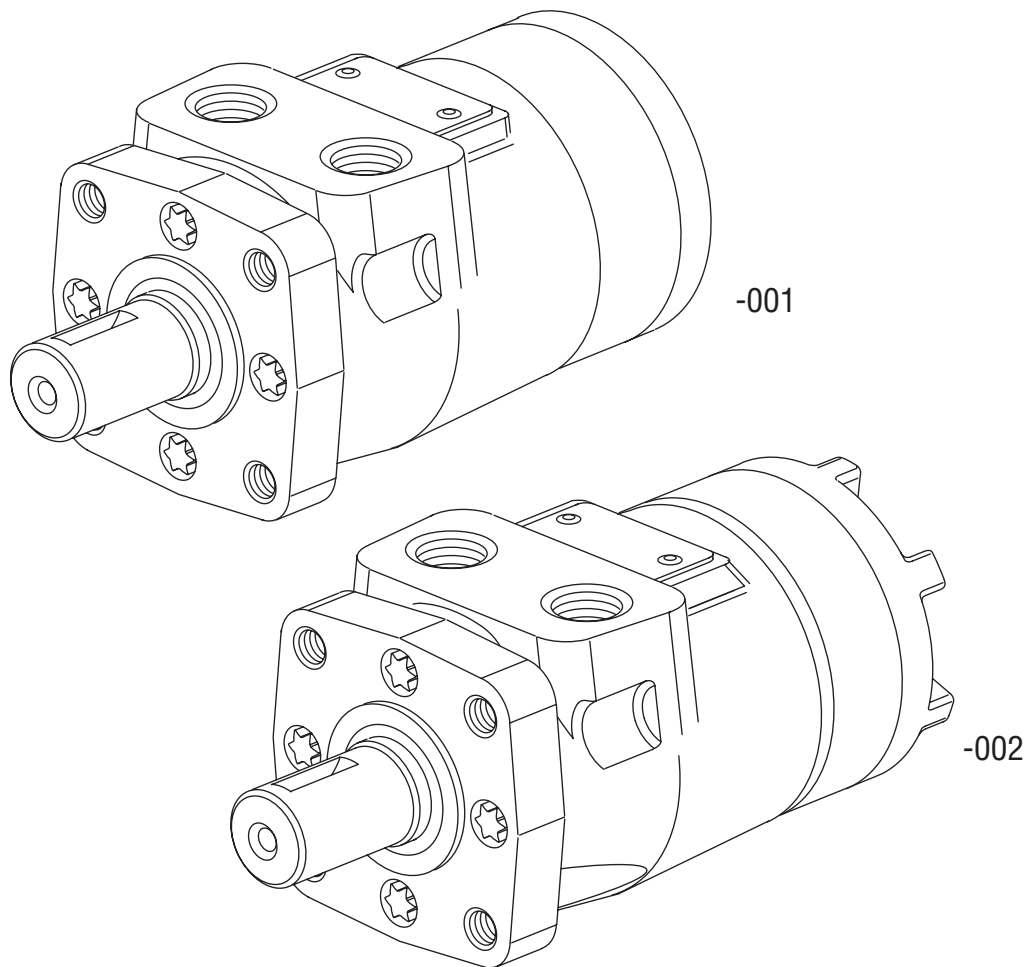


# Char-Lynn® Hydraulic Motor

January, 1995



## Parts Information

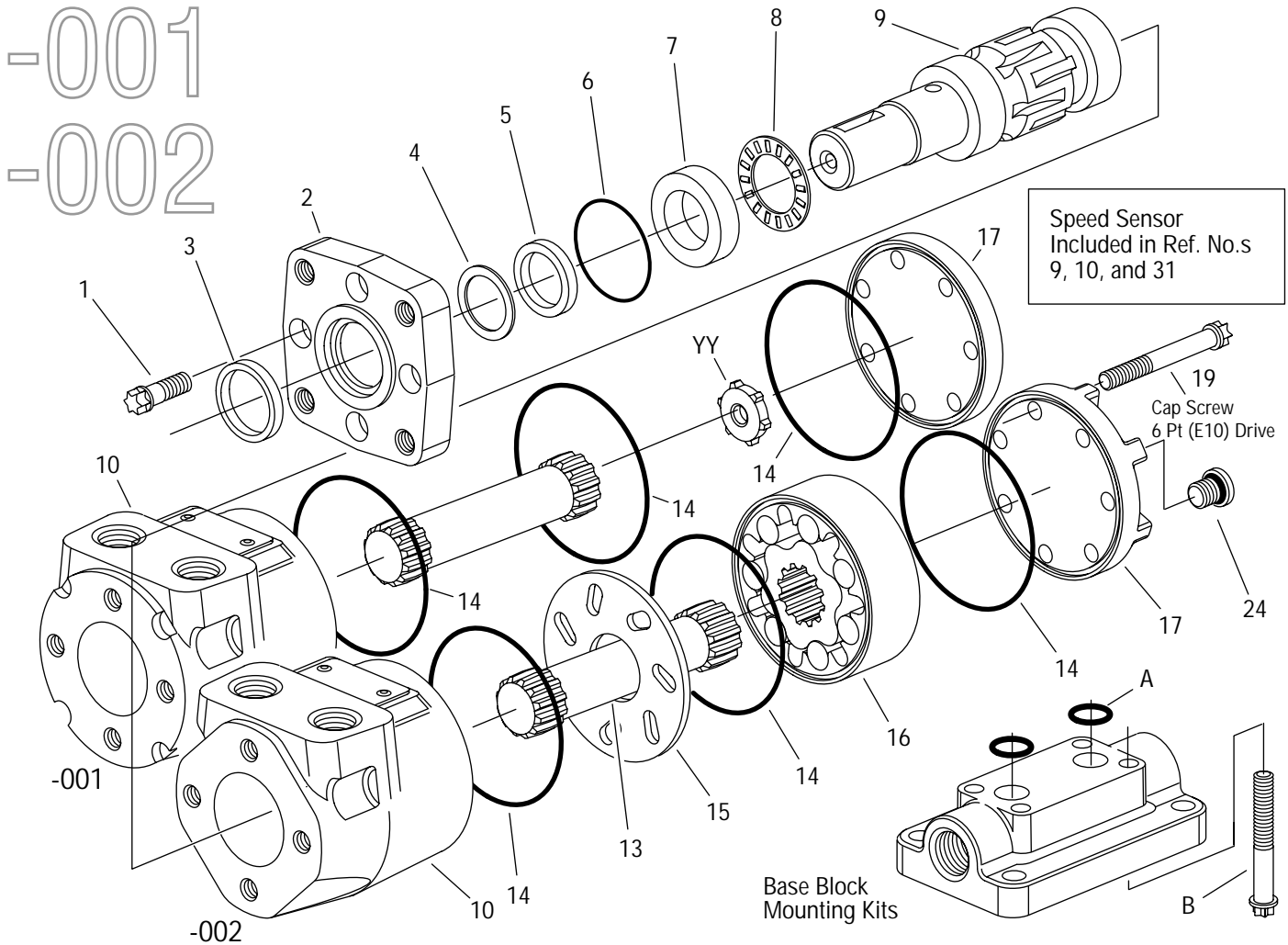


**R Series  
General Purpose Geroler® Motor**

**001 002**

# R Series Parts Dwg/List

Displ. cm <sup>3</sup> /r [in <sup>3</sup> /r]	-002		-002 -001		-002 -001	
	Ref. No. 13	Ref. No. 16	Ref. No. 19			
	Drive	Length mm [in.]	Geroler®	Width mm [in.]	Screw, Cap	Length mm [in.]
36 [ 2.2]	602-000	76,2 [3.00]	22801-001	6,6 [ .26]	16294-150	38,1 [1.50]
49 [ 3.0]	201111-001	78,7 [3.10]	22801-002	8,9 [ .36]	16294-162	41,1 [1.62]
66 [ 4.0]	616-000	81,8 [3.22]	22801-003	11,9 [ .47]	16294-175	44,5 [1.75]
80 [ 4.9]	201111-002	84,6 [3.33]	22801-004	14,7 [ .58]	16294-188	47,8 [1.88]
102 [ 6.2]	201111-003	88,6 [3.49]	22801-005	18,5 [ .73]	16294-200	50,8 [2.00]
131 [ 8.0]	201111-004	94,0 [3.70]	22801-006	23,9 [ .94]	16294-225	57,2 [2.25]
157 [ 9.6]	201111-005	90,8 [3.90]	22801-007	28,9 [1.14]	16294-238	60,5 [2.38]
195 [11.9]	201111-006	105,7 [4.16]	22801-008	35,6 [1.40]	16294-262	66,5 [2.62]
244 [14.9]	201111-007	114,8 [4.52]	22801-009	44,5 [1.76]	16294-300	76,2 [3.00]
306 [18.7]	201111-008	126,2 [4.97]	22801-010	56,1 [2.21]	16294-350	88,9 [3.50]
370 [22.6]	201111-009	137,9 [5.43]	22801-012	67,8 [2.66]	16294-400	101,6 [4.00]



All R -002 parts are interchangeable with R -001 parts except: End Cap (seal groove change), housing, section seals, drives and drive spacer. Note: Each displacement in the R -002 has its own unique drive with no spacer required.

## R Series Parts Dwg/List

Ref. No.	-002		-001		Description	Quantity
	Part No.	Part No.	Part No.	Part No.		
1	16292-088	16292-088			Screw, Cap (6 Point (E10) Drive 5/16-24 x 7/8)	4
2	22000-001	22000-001			Flange Mounting (2 Bolt)	1
	22000-002	22000-002			Flange Mounting (4 Bolt) 3/8-16 UNC	1
	22000-006	22000-006			Flange Mounting (4 Bolt) M10 x 1,5	1
	22000-005	22000-005			Flange Mounting (4 Bolt Magneto)	1
X 3	9121-002	9121-002			Seal, Exclusion	1
X 4	22002-000	22002-000			Washer, Backup	1
X 5	9057-014	9057-014			Seal, Pressure	1
X 6	9091-001	9091-001			Seal	1
7	7462-000	7462-000			Race, Thrust Bearing	1
8	7537-000	7537-000			Bearing, Thrust Needle	1
9	7360-001	7360-001			Shaft, Output (1 in. Dia. Straight with Woodruff Key Slot)	1
	220879-001				Shaft, Output (1 in. Dia. Straight with Woodruff Key Slot) — <i>Speed Sensor Shaft</i>	1
	7360-002	7360-002			Shaft, Output (SAE 6B Splined)	1
	7360-007	7360-007			Shaft, Output (1 in. Dia. Straight with .315 Dia. Crosshole)	1
	7360-008	7360-008			Shaft, Output (1 in. Dia. Straight with .406 Dia. Crosshole)	1
	7360-024	7360-024			Shaft, Output (25 mm Dia. Straight)	1
	7360-016	7360-016			Shaft, Output (7/8 in. Dia. SAE B 13 T Splined)	1
	7360-018	7360-018			Shaft, Output (1 in. Dia. Tapered — 37,1 [1.46] Max. Coupling Length )	1
	7360-037	7360-037			Shaft, Output (1 in. Dia. Tapered — 27,6 [1.08] Max. Coupling Length )	1
	14193-000	14193-000			Key, Woodruff (1 in. Dia. Straight Shaft)	1
	14193-000	14193-000			Key, Woodruff (for Tapered Shaft)	1
	14462-006	14462-006			Key, Straight (for 25 mm Dia. Shaft)	1
	14381-000	14381-000			Nut (for Tapered Shaft)	1
	10	201083-001	22807-001			Housing, 7/8-14 O-ring Ports
201382-001					Housing, 7/8-14 O-ring Ports — <i>Speed Sensor Housing</i>	1
201083-002		22807-002			Housing, 1/2 NPTF Ports	1
201083-003		22807-003			Housing, Manifold Ports (5/16-18 UNC)	1
201083-004		22807-004			Housing, Manifold Ports (M8 x 1,5)	1
201083-006		22807-006			Housing, (G 1/2 (BSP))	1
13	*	**			Drive	1
X 14	9086-005	250001-041			Seal	3
15	22808-000	22808-000			Plate, Spacer	1
16	*	*			Geroler	1
17	23986-001	22809-001			Cap, End (No Port)	1
	23986-002	22809-002			Cap, End (with Drain Port 7/16-20 O-ring)	1
	23986-003	22809-003			Cap, End (with Drain Port G 1/4 (BSP))	1
19	*	*			Screw, Cap (6 Point (E10) Drive 5/16-24)	7

Continued on Page 4

# R Series

Continued from Page 3

Ref. No.	-002		-001		Description	
	Part No.	Part No.	Part No.	Part No.		
24	9072-003	9072-003			Plug/ O-ring (7/16-20 Drain Port)	1
X	250003-904	250003-904			O-ring for 7/16-20 Drain Port Plug	1
	9170-002	9170-002			Plug/O-ring (G 1/4 (BSP) Drain Port)	1
	—	—			O-ring for G 1/4 (BSP) Drain Port Plug	1
31	201137-001				Sensor, Speed — 127mm [5.0 in.] Lead Wire	1
YY	—	**			Spacer	0/1
	60564-000	60555-000			Seal Kit (Buna N) — Contains Parts Indicated by X Seal Kit (same as above with one exception - Shaft Seal is Viton®) Seal Kit (Viton) — Contains Parts Indicated by X (Part No.s Differ from those Shown)	
	60566-000	60556-000				
	60565-000					
Mounting Kit	123-1007	123-1007			Base Block Mounting Kit (1/2 NPTF Ports (Manifold Mount Motors Only))	
	123-1008	123-1008			Base Block Mounting Kit (7/8-14 O-ring Ports (Manifold Mount Motors Only))	
X A	15058-000	15058-000			Seal, O-ring (2)	
	B	267512-019	267512-019		Screw, Cap (5/16-18 Thread (4))	
		14474-003	14474-003		Screw, Cap (M8 x 1,5) Thread (4))	

Viton® is a Registered Trade Name of Dupont Corporation.

\* See Chart (page 2)

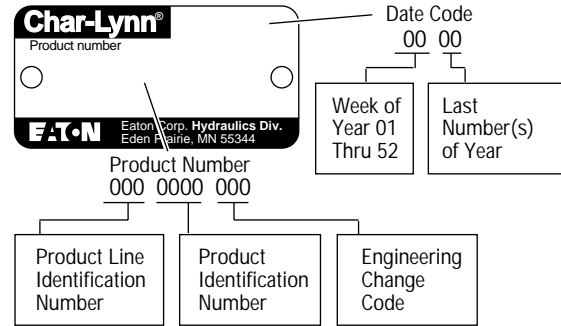
\*\* See Chart (page 4)

Displ. cm³/r [in³/r]	-001		-001	
	Ref. No. 13	Ref. No. YY	Ref. No. 13	Ref. No. YY
	Drive	Length mm [in.]	Spacer	Width mm [in.]
36 [ 2.2]	602-000	76,2 [3.00]	—	—
49 [ 3.0]	602-000	76,2 [3.00]	6901-015	2,5 [.10]
66 [ 4.0]	616-000	81,8 [3.22]	—	—
80 [ 4.9]	616-000	81,8 [3.22]	6901-015	2,5 [.10]
102 [ 6.2]	22251-000	86,2 [3.39]	6901-015	2,5 [.10]
131 [ 8.0]	8664-000	91,7 [3.61]	6901-015	2,5 [.10]
157 [ 9.6]	22189-000	95,8 [3.77]	6901-015	2,5 [.10]
195 [11.9]	22190-000	102,0 [4.01]	6901-009	3,4 [.13]
244 [14.9]	22253-000	121,0 [4.76]	6901-009	3,4 [.13]
306 [18.7]	22191-000	110,5 [4.35]	6901-009	3,4 [.13]

# R Series

For Additional Literature Contact Eaton Corp. Hydraulics Division 15151 Highway 5 Eden Prairie, MN 55344.

- Specifications and performance data, Catalog No. 11-103
- When servicing R Series Motors refer to Repair Information No. 7-142. This repair manual lists tools required, and step by step disassembly and reassembly procedures.



## How to Order Replacement Parts

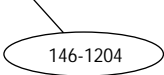
Each Order Must Include the Following:

1. Product Number
2. Date Code
3. Part Name
4. Part Number
5. Quantity of Parts

## Product Numbers—R Series

Add three digit prefix —146—to four digit number from chart for complete product number—Example 146-1204.

Mounting	Shaft	Ports	Displ. cm <sup>3</sup> /r [in <sup>3</sup> /r] Product Number 146-xxxx										
			36 [2.2]	49 [3.0]	66 [4.0]	80 [4.9]	102 [6.2]	131 [8.0]	157 [9.6]	195 [11.9]	244 [14.9]	306 [18.7]	370 [22.6]
2 Bolt Flange	1 in. Straight w/Woodruff Key	7/8-14 O-ring	146-1041	-1042	-1043	-1044	-1045	-1046	-1047	-1048	-1049	-1050	—
		1/2 NPTF	146-1031	-1032	-1033	-1034	-1035	-1036	-1037	-1038	-1039	-1040	—
		Manifold	146-1051	-1052	-1053	-1054	-1055	-1056	-1057	-1058	-1059	-1060	—
	1 in. SAE 6B Splined	7/8-14 O-ring	146-1101	-1102	-1103	-1104	-1105	-1106	-1107	-1108	-1109	-1110	—
		1/2 NPTF	146-1091	-1092	-1093	-1094	-1095	-1096	-1097	-1098	-1099	-1100	—
		Manifold	146-1111	-1112	-1113	-1114	-1115	-1116	-1117	-1118	-1119	-1120	—
	1 in. Straight w/.31 Dia. Crosshole	7/8-14 O-ring	146-1121	-1122	-1123	-1124	-1125	-1126	-1127	—	—	—	—
		1/2 NPTF	146-1128	-1129	-1130	-1131	-1132	-1133	-1134	—	—	—	—
		Manifold	146-1135	-1136	-1137	-1138	-1139	-1140	-1141	—	—	—	—
	1 in. Straight w/.40 Dia. Crosshole	7/8-14 O-ring	146-1142	-1143	-1144	-1145	-1146	-1147	-1148	—	—	—	—
		1/2 NPTF	146-1149	-1150	-1151	-1152	-1153	-1154	-1155	—	—	—	—
		Manifold	146-1156	-1157	-1158	-1159	-1160	-1161	-1162	—	—	—	—
4 Bolt Flange	1 in. Straight w/Woodruff Key	7/8-14 O-ring	146-1011	-1012	-1013	-1014	-1015	-1016	-1017	-1018	-1019	-1020	—
		1/2 NPTF	146-1001	-1002	-1003	-1004	-1005	-1006	-1007	-1008	-1009	-1010	—
		Manifold	146-1021	-1022	-1023	-1024	-1025	-1026	-1027	-1028	-1029	-1030	—
	1 in. SAE 6B Splined	7/8-14 O-ring	146-1071	-1072	-1073	-1074	-1075	-1076	-1077	-1078	-1079	-1080	—
		1/2 NPTF	146-1061	-1062	-1063	-1064	-1065	-1066	-1067	-1068	-1069	-1070	—
		Manifold	146-1081	-1082	-1083	-1084	-1085	-1086	-1087	-1088	-1089	-1090	—
	1 in. Straight w/.31 Dia. Crosshole	7/8-14 O-ring	146-1163	-1164	-1165	-1166	-1167	-1168	-1169	—	—	—	—
		1/2 NPTF	146-1170	-1171	-1172	-1173	-1174	-1175	-1176	—	—	—	—
		Manifold	146-1177	-1178	-1179	-1180	-1181	-1182	-1183	—	—	—	—
	1 in. Straight w/.40 Dia. Crosshole	7/8-14 O-ring	146-1184	-1185	-1186	-1187	-1188	-1189	-1190	—	—	—	—
		1/2 NPTF	146-1191	-1192	-1193	-1194	-1195	-1196	-1197	—	—	—	—
		Manifold	146-1198	-1199	-1200	-1201	-1202	-1203	-1204	—	—	—	—







**Eaton**  
Fluid Power Group  
Hydraulics Business USA  
14615 Lone Oak Road  
Eden Prairie, MN 55344  
USA  
Tel: 952-937-9800  
Fax: 952-294-7722  
[www.eaton.com/hydraulics](http://www.eaton.com/hydraulics)

**Eaton**  
Fluid Power Group  
Hydraulics Business Europe  
Route de la Longeraie 7  
1110 Morges  
Switzerland  
Tel: +41 (0) 21 811 4600  
Fax: +41 (0) 21 811 4601

**Eaton**  
Fluid Power Group  
Hydraulics Business Asia Pacific  
11th Floor Hong Kong New World Tower  
300 Huaihai Zhong Road  
Shanghai 200021  
China  
Tel: 86-21-6387-9988  
Fax: 86-21-6335-3912