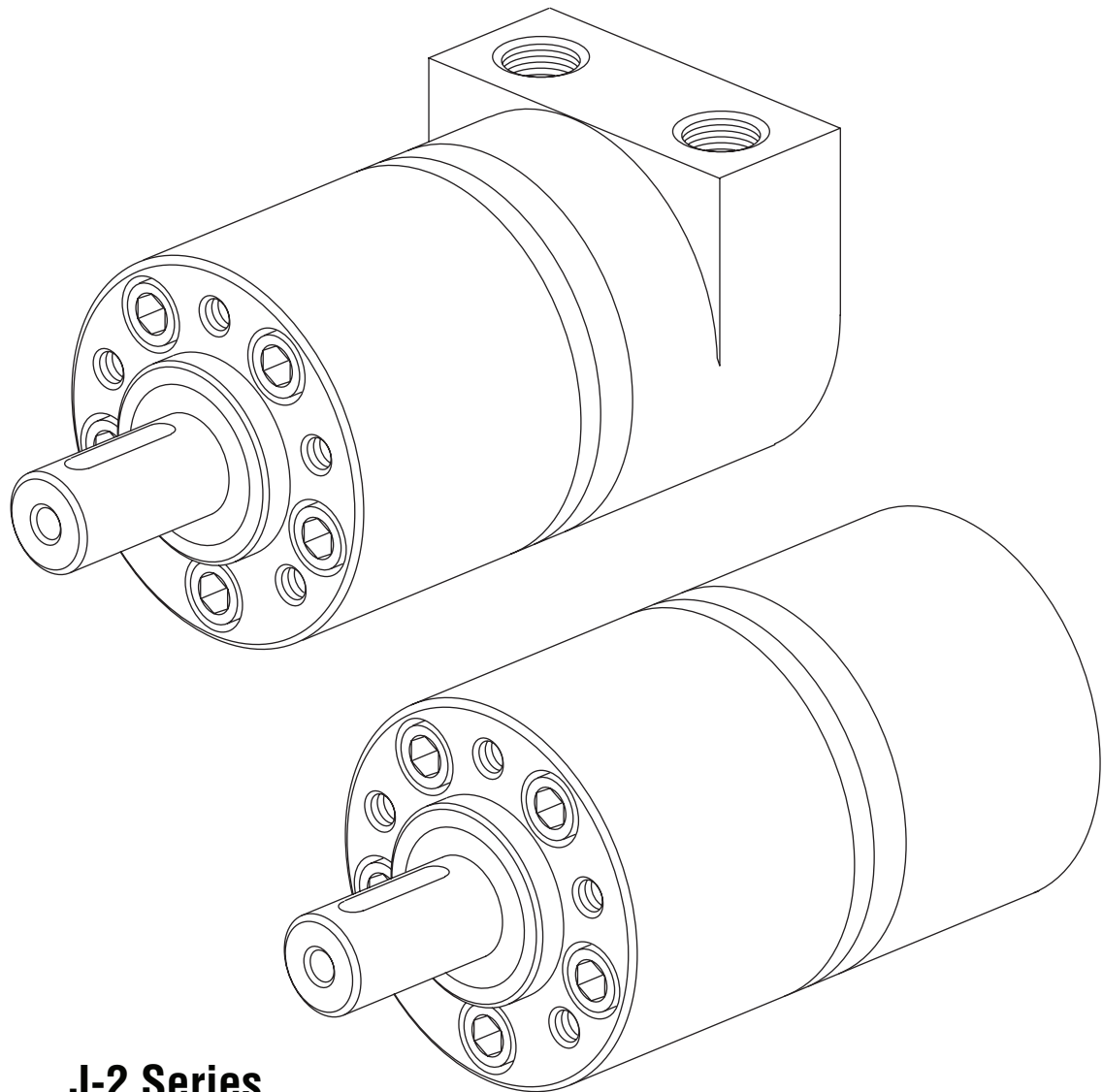


Char-Lynn®

General Purpose Hydraulic Motors



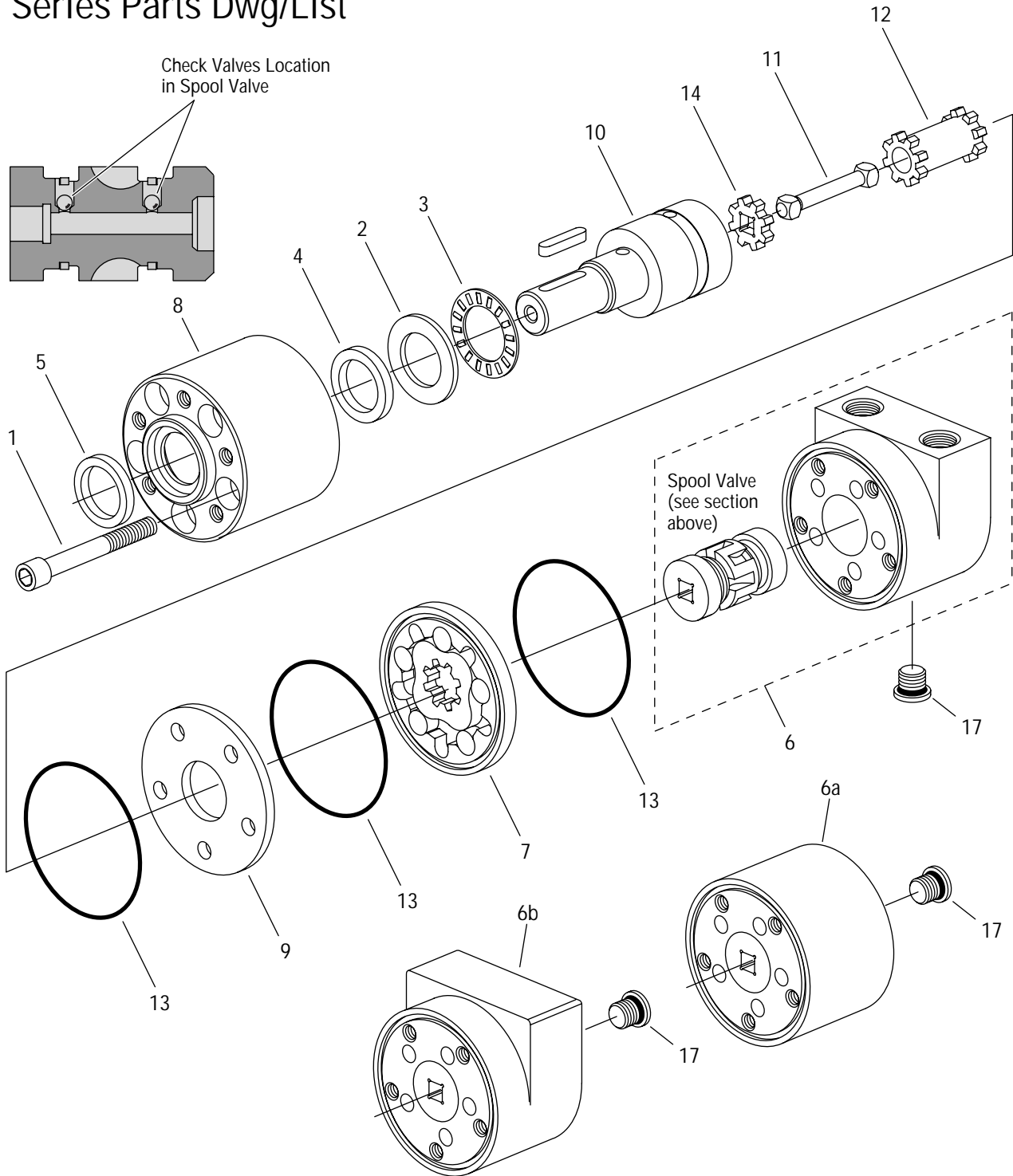
Parts Information



**J-2 Series
Geroler Motor**

002

J-2 Series Parts Dwg/List



Displacement cm ³ /r [in ³ /r]	Item Ref. No. 1 Screw, Cap Internal Hex		Ref. No. 7 Geroler®		Ref. No. 11 Spool Drive		Ref. No. 12 Drive	
	Length mm [inch]		Width mm [inch]		Length mm [inch]		Length mm [inch]	
8,2 [.50]	16148-422	57,2 [2.25]	201404-001	5,31 [.209]	23016-001	46,2 [1.82]	23017-001	32,39 [1.275]
12,9 [.79]	16148-424	64,0 [2.50]	201404-002	8,38 [.330]	23016-002	49,0 [1.93]	23017-002	35,48 [1.397]
19,8 [1.21]	16148-426	69,9 [2.75]	201404-003	12,83 [.505]	23016-003	53,8 [2.12]	23017-003	40,03 [1.576]
31,6 [1.93]	16148-430	76,0 [3.00]	201404-004	20,47 [.806]	23016-004	61,5 [2.42]	23017-004	47,68 [1.877]
50,0 [3.00]	16148-434	88,9 [3.50]	201404-005	31,83 [1.253]	23016-005	72,6 [2.86]	23017-005	58,19 [2.291]

J-2 Series Parts List

Ref. No.	Part Number	Description	Quantity
1	*	Screw, Cap Internal Hex	5
2	16241-C1220	Washer, Thrust	1
3	16241-1220	Bearing, Needle Thrust	1
X 4	14709-002	Seal, Pressure	1
X 5	9121-003	Seal, Exclusion	1
6	201333-004	Housing, Valve and Spool S/A (Side Ports — 9/16-18 UNF)	1
	201333-005	Housing, Valve and Spool S/A (Side Ports — G 3/8 (BSP))	1
	201333-006	Housing, Valve and Spool S/A (Side Ports — G 1/4 (BSP))	1
	201333-007	Housing, Valve and Spool S/A (Side Ports — M14)	1
6a	201333-001	Housing, Valve and Spool S/A (End Ports — 9/16-18 UNF)	1
	201333-002	Housing, Valve and Spool S/A (End Ports — G 1/4 (BSP))	1
	201333-003	Housing, Valve and Spool S/A (End Ports — M14)	1
6b	201333-009	Housing, Valve and Spool S/A (End Ports — G 3/8 (BSP))	1
7	*	Geroler®	1
8	201334-001	Housing, Bearing (1/4-28 UNF-2B Mounting Holes)	1
	201334-002	Housing, Bearing (M6 x 1 - 6H)	1
9	201353-000	Plate, Spacer	1
10	201354-001	Shaft, Output (5/8 Straight Keyed)	1
	14535-004	Key (5/8 Straight Keyed Shaft)	1
	201354-002	Shaft, Output (16 mm Straight Keyed)	1
	14530-001	Key (16 mm Straight Keyed Shaft)	1
	201354-007	Shaft, Output (5/8 Straight with Crosshole)	1
	201354-008	Shaft, Output (3/4 Tapered)	1
	16029-610	Key (.188 x .625 Woodruff Key)	1
	16267-108	Nut, Slotted (1/2-20 UNF x 11,2 [.44] Thick)	1
	201354-004	Shaft, Output (11/16 Straight Keyed)	1
	14535-004	Key (11/16 Straight Keyed Shaft)	1
	201354-005	Shaft, Output (18 mm Straight Keyed)	1
	14531-001	Key (18 mm Straight Keyed Shaft)	1
	201354-006	Shaft, Output (Involute Splined Metric)	1
11	*	Drive, Spool	1
12	*	Drive	1
X 13	16007-006	Seal, O-ring	3
14	23074-000	Spacer, Output Shaft	1
17	9072-002	Plug/O-ring S/A (3/8-24 UNF Drain Port)	1
X	250003-903	O-ring (for 3/8-24 UNF Plug)	1
	9237-007	Plug/O-ring S/A (M10 Drain Port)	1
X	14581-001	O-ring (for M10 Plug)	1
	9170-001	Plug/O-ring S/A (G 1/8 (BSP) Drain Port)	1
X	14591-001	Ring Seal (for G 1/8 (BSP) Plug)	1
	60552-000	2 Bolt Flange Kit (for 3/8 Mounting Bolts)	1
	60553-000	2 Bolt Flange Kit (for M8 Mounting Bolts)	1
	60580-000	Seal Kit — Contains Parts Indicated by X	1

* See Chart on Page 2

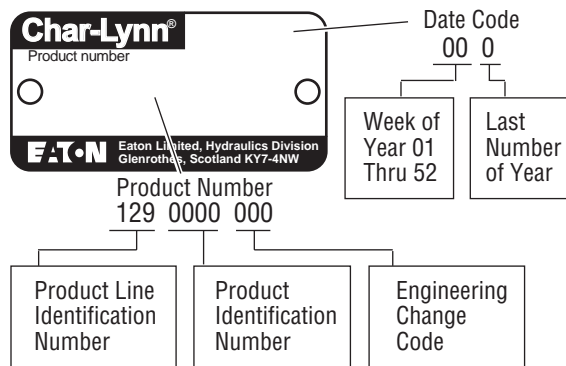
How to Order Replacement Parts

Each Order Must Include the Following:

1. Product Number
2. Date Code
3. Part Name
4. Part Number
5. Quantity of Parts

For more detailed information contact Eaton Hydraulics
14615 Lone Oak Road Eden Prairie, MN 55344.

- Specifications and performance data, Catalog No. 11-104.
- When servicing J Series motors refer to Repair Information No. 7-144. This repair manual lists tools required, and step by step disassembly and reassembly procedures.



Add three digit prefix —**129**— to four digit number from chart for complete product number—Example 129-0382.
Orders will not be accepted without three digit prefix.

Port Location	Port Size	Mounting Holes (5)	Shaft	Displ. cm ³ /r [in ³ /r] / Product Number 129-xxxx						
				8,2 [.50]	12,9 [.79]	19,8 [1.21]	31,6 [1.93]	50,0 [3.00]		
End Port Motors	9/16-18 UNF - 2B O-ring (2)	1/4-28 UNF 2B	5/8 inch Straight	129-0291	-0292	-0293	-0294	-0458		
			11/16 inch Straight	129-0295	-0296	-0297	-0298	-0459		
			Splined — Metric	129-0299	-0300	-0301	-0302	-0460		
			3/4 inch Tapered	129-0480						
			16 mm Straight	129-0303	-0304	-0305	-0306	-0461		
			18 mm Straight	129-0307	-0308	-0309	-0310	-0462		
	M14 x 1,5 - 6H O-ring (2)	M6 x 1 - 6H	Splined — Metric	129-0311	-0312	-0313	-0314	-0463		
			16 mm Straight	129-0315	-0316	-0317	-0318	-0464		
			18 mm Straight	129-0319	-0320	-0321	-0322	-0465		
			Splined — Metric	129-0323	-0324	-0325	-0326	-0466		
			G 1/4 (BSP) (2)	M6 x 1 - 6H	16 mm Straight	129-0327	-0328	-0329	-0330	-0467
					18 mm Straight	129-0331	-0332	-0333	-0334	-0468
End Port* Motors	G 3/8 (BSP) (2)	M6 x 1 - 6H	Splined — Metric	129-0335	-0336	-0337	-0338	-0469		
			5/8 inch Straight	129-0339	-0340	-0341	-0342	-0470		
			11/16 inch Straight	129-0343	-0344	-0345	-0346	-0471		
	9/16-18 UNF - 2B O-ring (2)	1/4-28 UNF 2B	Splined — Metric	129-0347	-0348	-0349	-0350	-0472		
			3/4 inch Tapered	129-0481						
			16 mm Straight	129-0351	-0352	-0353	-0354	-0473		
	M14 x 1,5 - 6H O-ring (2)	M6 x 1 - 6H	18 mm Straight	129-0355	-0356	-0357	-0358	-0474		
			Splined — Metric	129-0359	-0360	-0361	-0362	-0475		
			16 mm Straight	129-0363	-0364	-0365	-0366	-0476		
			G 1/4 (BSP) (2)	M6 x 1 - 6H	18 mm Straight					
					Splined — Metric	129-0367	-0368	-0369	-0370	-0477
			16 mm Straight	129-0371	-0372	-0373	-0374	-0403		
G 3/8 (BSP) (2)	M6 x 1 - 6H	18 mm Straight	129-0375	-0376	-0377	-0378	-0478			
		Splined — Metric	129-0379	-0380	-0381	-0382	-0479			

Two Bolt Mounting Flange Kit (for 3/8 inch Mounting Bolts) — Kit Number 60552 (includes 5 screws — 1/4-28 UNF - 2B)

Two Bolt Mounting Flange Kit (for M8 Mounting Bolts) — Kit Number 60553 (includes 5 screws — M6 x 1 - 6H)

*Note: The Same Casting used for Side Ports is Required for G 3/8 (BSP) End Ports (see Dwg. Page 8 and 9)

129-0479

Information contained in this catalog is accurate as of the publication date and is subject to change without notice. Performance values are typical values. Customers are responsible for selecting products for their applications using normal engineering methods.

Eaton
Fluid Power Group
Hydraulics Business USA
14615 Lone Oak Road
Eden Prairie, MN 55344
USA
Tel: 952-937-9800
Fax: 952-294-7722
www.eaton.com/hydraulics

Eaton
Fluid Power Group
Hydraulics Business Europe
Route de la Longeraie 7
1110 Morges
Switzerland
Tel: +41 (0) 21 811 4600
Fax: +41 (0) 21 811 4601

Eaton
Fluid Power Group
Hydraulics Business Asia Pacific
11th Floor Hong Kong New World Tower
300 Huaihai Zhong Road
Shanghai 200021
China
Tel: 86-21-6387-9988
Fax: 86-21-6335-3912