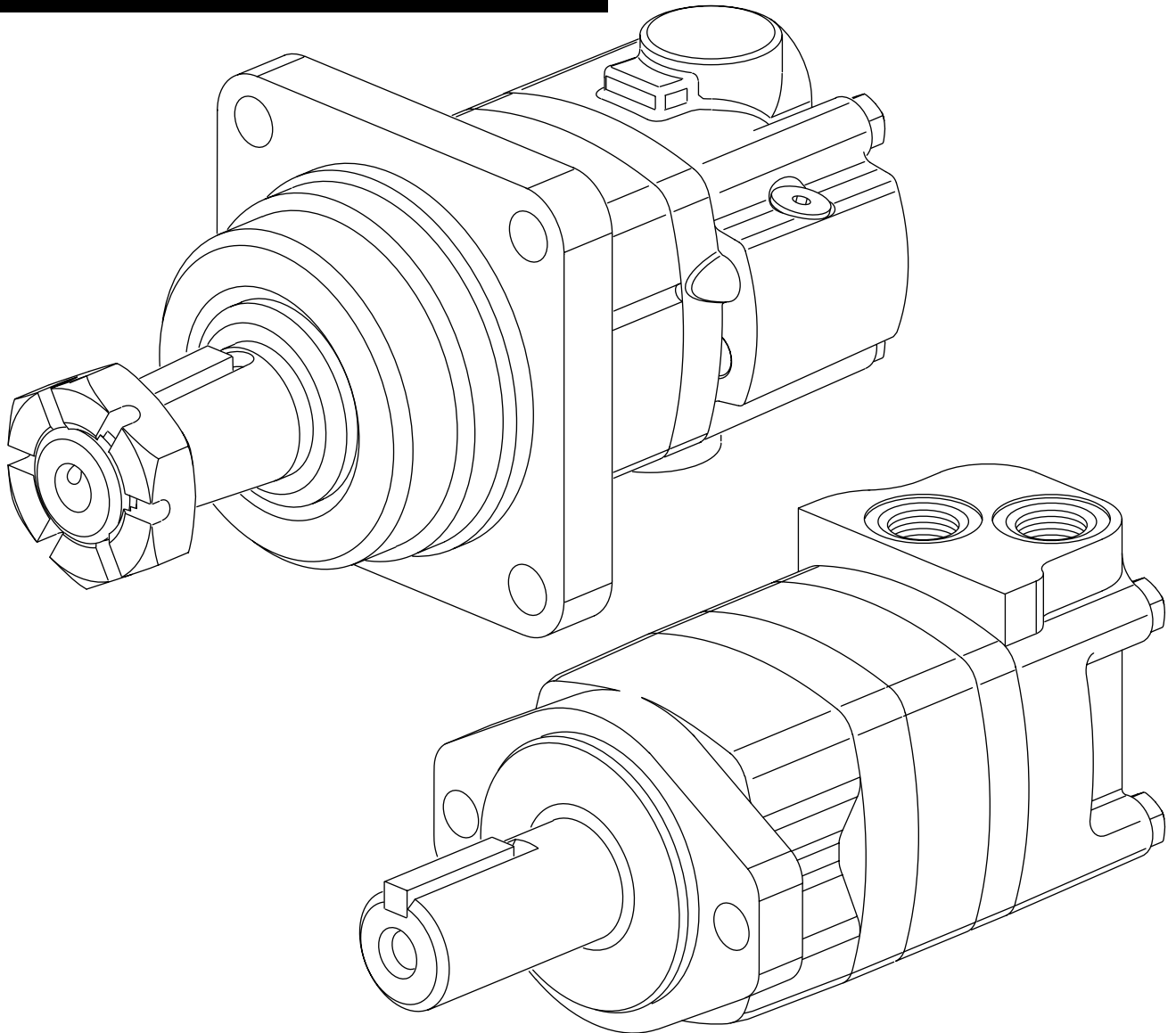


Char-Lynn®

Disc Valve Motors



Parts Information



4000 Compact Series
Geroler® Motors

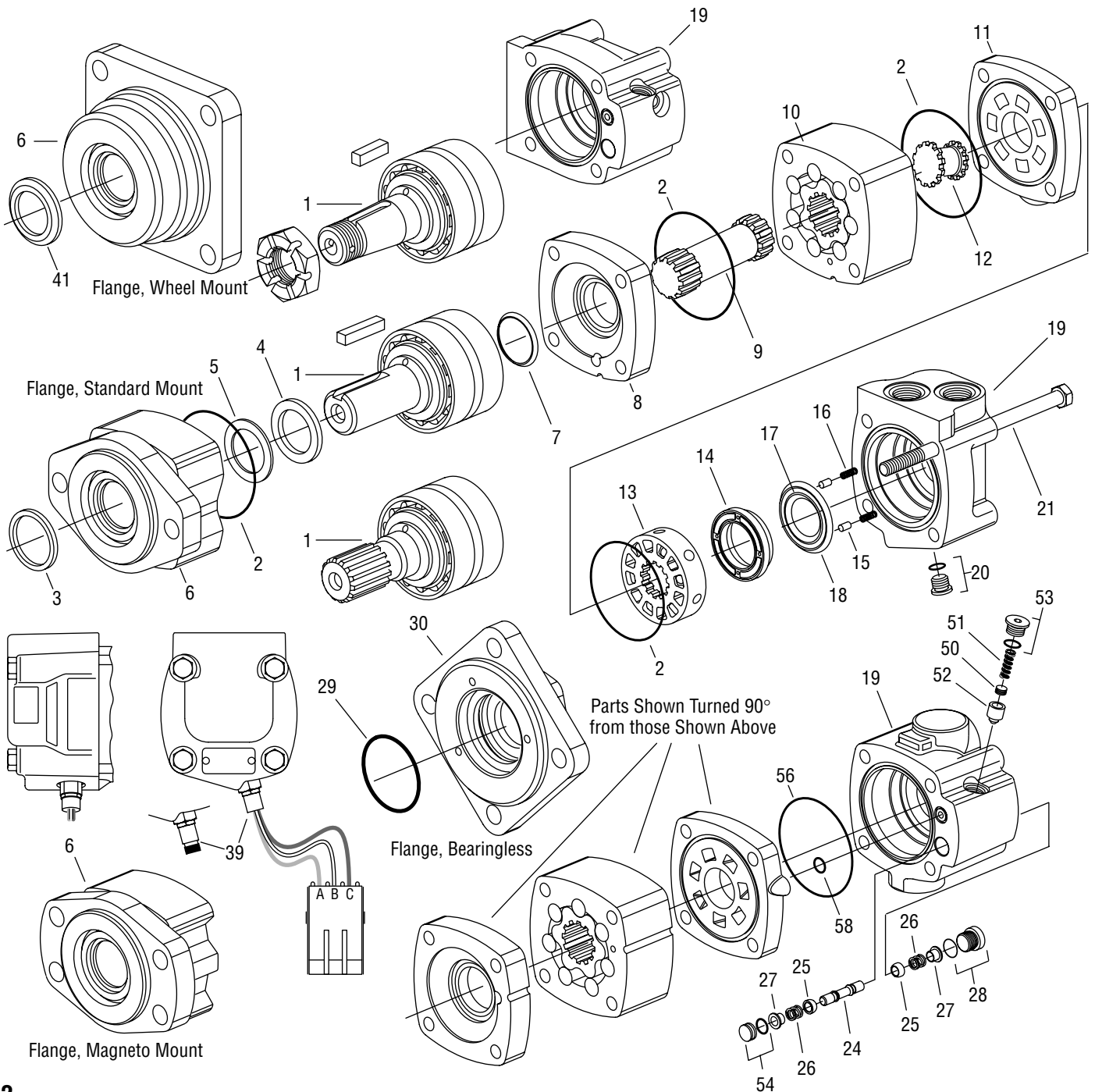
001

4000 Compact Series Disc Valve Motors



Parts Drawing/List

Displacement cm ³ /r [in ³ /r]	Drive, Main Item No. 9 —Part No./Length		Geroler® Item No. 10 —Part No./Width		Screw, Cap (Standard/Wheel) Item No. 21 —Part No./Length		Screw, Cap (Bearingless) Item No. 21 —Part No./Length	
	Part No.	mm [inch]	Part No.	mm [inch]	Part No.	mm [in.]	Part No.	mm [in.]
160 [9.8]	202989-004	82,3 [3.24]	202871-004	35,6 [1.40]	14384-008	144,8 [5.70]	14384-004	127,3 [5.01]
200 [12.3]	202989-005	91,6 [3.60]	202871-005	44,7 [1.76]	14384-010	154,9 [6.10]	14384-007	138,4 [5.45]
250 [15.4]	202989-006	102,9 [4.05]	202871-006	56,0 [2.21]	14384-012	164,5 [6.48]	14384-008	144,8 [5.70]
305 [19.8]	202989-007	119,1 [4.69]	202871-007	72,0 [2.83]	14384-014	182,4 [7.18]	14384-012	164,5 [6.48]
395 [24.0]	112643-008	119,1 [4.69]	112644-008	72,0 [2.83]	14384-014	182,4 [7.18]	14384-012	164,5 [6.48]
490 [29.8]	112643-012	136,1 [5.36]	112644-010	89,4 [3.52]	14384-019	199,6 [7.86]	14384-014	182,4 [7.18]



4000 Compact Series Disc Valve Motors



Parts List 1 of 2

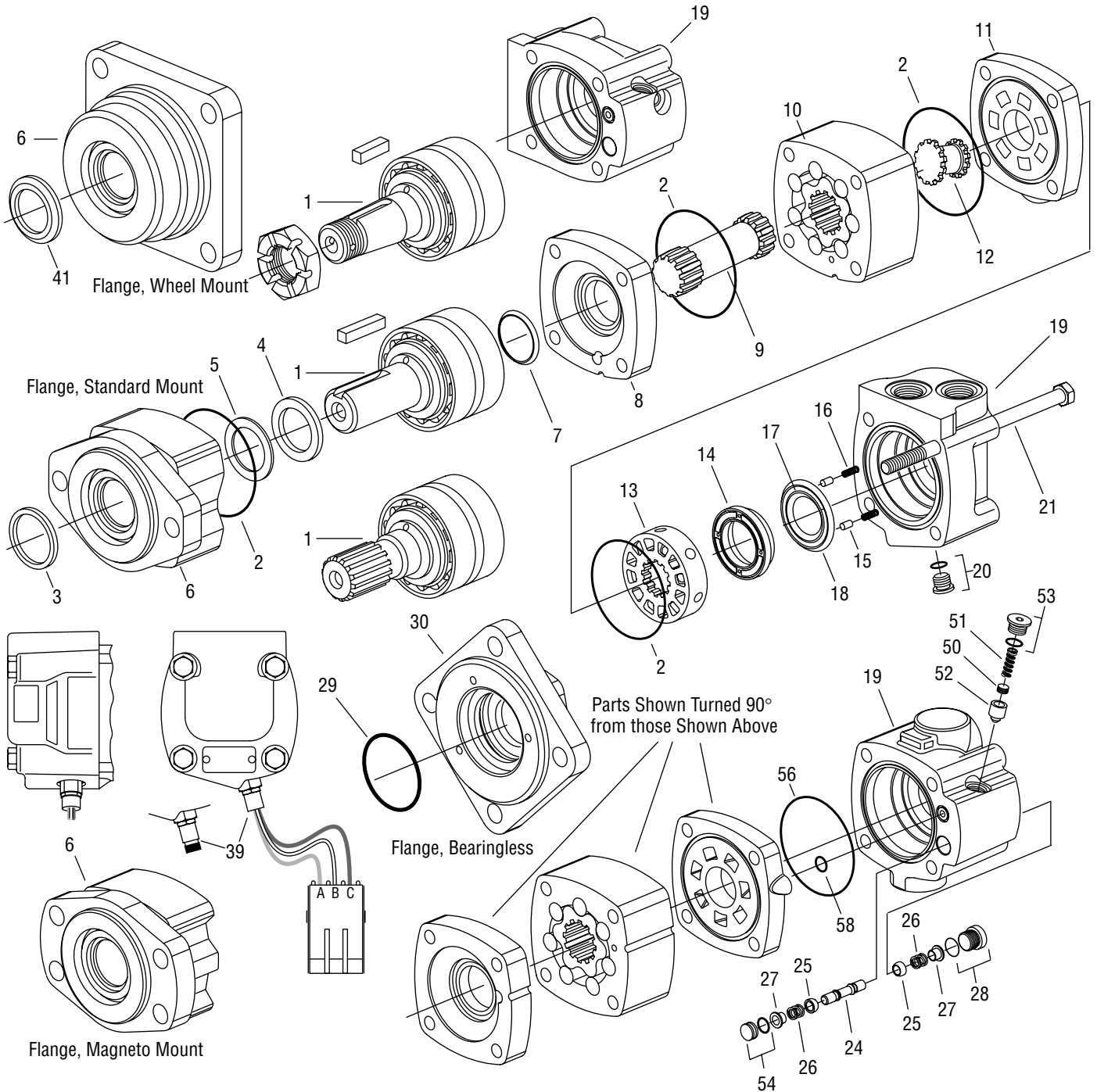
Ref No.	Part Number (per shaft size)	Part Number (per shaft size)	Description	Quantity per Unit			
				Std.	Whl.	Brgl.	
1	202861-002		Shaft and Bearing Kit (1-1/4 inch Straight)	1	1		
	14392-008		Key (for 1-1/4 Straight Shaft)	1	1		
		202861-011		Shaft and Bearing Kit (1-1/2 inch Straight)	1	1	
		14393-015		Key (for 1-1/2 Straight Shaft)	1	1	
	202861-010			Shaft and Bearing Kit (32 mm Straight)	1	1	
	14460-005			Key (for 32mm Straight Shaft)	1	1	
		202861-008		Shaft and Bearing Kit (40 mm Straight)	1	1	
		14458-007		Key (for 40mm Straight Shaft)	1	1	
	202861-003			Shaft and Bearing Kit (1-1/4 in. Tapered)	1	1	
	14163-000			Nut, Hex (1-1/4 in. Tapered Shaft)	1	1	
	14392-006			Key (for 1-1/4 in. Tapered Shaft)	1	1	
		202861-098		Shaft and Bearing Kit (1-5/8 in. Tapered)	1	1	
		14230-000		Nut, Hex (1-5/8 in. Tapered Shaft)	1	1	
		14394-007		Key (for 1-5/8 in. Tapered Shaft)	1	1	
	202861-004			Shaft and Bearing Kit (1-1/4 in. Splined 14T)	1	1	
		202861-099		Shaft and Bearing Kit (1-1/2 in. Splined 17T)	1	1	
	† 0 Δ 3	9121-001	9031-001	Seal, Exclusion	1	1	
	† 0 Δ 4	9057-009	9057-012	Seal, Shaft	1	1	
		14857-001		Seal, Shaft — High Pressure (no Back-up Ring required)	1	1	
† 0 5	7382-000	6943-000	Ring, Back-up	1	1		
6	202442-004	202442-098	Housing, Bearing, SAE A (Two Bolt)	1			
	202442-003	202442-099	Housing, Bearing, Wheel Mount (Four Bolt)		1		
	202442-015		Housing, Bearing, Wheel Mount (Four Bolt) — Compatible for HAYES Brake		1		
	202442-001		Housing, Bearing, SAE B (Two Bolt)	1			
	202442-005		Housing, Bearing, Diagonal (Four Bolt)	1			
	202442-008		Housing, Bearing, Magneto (Four Bolt)	1			
Δ 41	14628-006	14628-004	Seal Guard	1	1		
	61333-000	61353-000	Seal Kit (Std. and Whl. Motors with back pressure relief valve)—Contains Parts Indicated by †				
	61334-000	61352-000	Seal Kit (Std. and Whl. Motors without back pressure relief valve)—Contains Parts Indicated by 0				
	61337-000	N/A	Seal Kit (Std. and Whl. Motors with high pressure shaft seal)—Contains Parts Indicated by Δ				

Ref No.	Part Number	Description	Quantity per Unit		
			Std.	Whl.	Brgl.
† 0 # X Δ 2	112530-040	Seal	4	4	
† 0 X Δ 7	202877-001	Seal, Shaft Face	1	1	
8	202862-003	Plate, Wear (no leakage slots)	1	1	
	202862-004	Plate, Wear (with leakage slots)	1	1	
9	*	Drive, Main	1	1	1
10	*	Geroler®	1	1	1
11	203330-001	Plate, Valve (for motor without Shuttle)	1	1	1
	203330-002	Plate, Valve (for motor with Shuttle)	1	1	1
12	202827-001	Drive, Valve	1	1	1
13	21466-000	Valve	1	1	1
	201307-002	Valve — Speed Sensor Valve	1	1	1
	201307-003	Valve — Speed Sensor Valve – Quadrature	1	1	1
14	8915-000	Balance Ring	1	1	1
15	14351-000	Pin, Balance Ring	2	2	2
16	7383-000	Spring, Compression	2	2	2
† 0 # X Δ 17	9049-001	Seal, Face, Inner	1	1	1
† 0 # X Δ 18	9135-002	Seal, Face, Outer	1	1	1

Continued on Page 5

*—See Chart on Opposite Page.

Displacement cm ³ /r [in ³ /r]	Drive, Main Item No. 9 —Part No./Length		Geroler® Item No. 10 —Part No./Width		Screw, Cap (Standard/Wheel) Item No. 21 —Part No./Length		Screw, Cap (Bearingless) Item No. 21 —Part No./Length	
	Part No.	mm [inch]	Part No.	mm [inch]	Part No.	mm [in.]	Part No.	mm [in.]
160 [9.8]	202989-004	82,3 [3.24]	202871-004	35,6 [1.40]	14384-008	144,8 [5.70]	14384-004	127,3 [5.01]
200 [12.3]	202989-005	91,6 [3.60]	202871-005	44,7 [1.76]	14384-010	154,9 [6.10]	14384-007	138,4 [5.45]
250 [15.4]	202989-006	102,9 [4.05]	202871-006	56,0 [2.21]	14384-012	164,5 [6.48]	14384-008	144,8 [5.70]
305 [19.8]	202989-007	119,1 [4.69]	202871-007	72,0 [2.83]	14384-014	182,4 [7.18]	14384-012	164,5 [6.48]
395 [24.0]	112643-008	119,1 [4.69]	112644-008	72,0 [2.83]	14384-014	182,4 [7.18]	14384-012	164,5 [6.48]
490 [29.8]	112643-012	136,1 [5.36]	112644-010	89,4 [3.52]	14384-019	199,6 [7.86]	14384-014	182,4 [7.18]



4000 Compact Series Disc Valve Motors



Parts List — 2 of 2

Continued from Page 3

Ref No.	Part Number	Description	Quantity per Unit		
			Std.	Whl.	Brgl.
19	21564-001	Housing, Valve (7/8-14 Str. Thrd. O-ring (Staggard Ports) — 7/16-20 Case Drain Port)	1	1	1
	21564-007	Housing, Valve (G 1/2 (BSP) (Staggard Ports) — G 1/4 (BSP) Case Drain Port)	1	1	1
	204113-004	Housing, Valve (7/8-14 Str. Thrd. O-ring (End Ports) — 7/16-20 Case Drain Port Shuttle and Low Press. Relief)	1	1	1
	21564-012	Housing, Valve (7/8-14 Str. Thrd. O-ring (Staggard Ports) — 7/16-20 Case Drain Port) — for Speed Sensor (201137-001 Ref. 39)	1	1	1
	21564-033	Housing, Valve (7/8-14 Str. Thrd. O-ring (Staggard Ports) — 7/16-20 Case Drain Port) — for Quadrature Speed Sensor (Ref. 39)	1	1	1
	21564-002	Housing, Valve (1–1/16-12 Str. Thrd. O-ring Ports (180° Apart) — 7/16-20 Case Drain Port)	1	1	1
	21564-009	Housing, Valve (7/8-14 Str. Thrd. O-ring (End Ports) — 7/16-20 Case Drain Port)	1	1	1
	204113-005	Housing, Valve (7/8-14 Str. Thrd. O-ring (Staggard Ports) — 7/16-20 Case Drain Port) — Shuttle and Low Press. Relief	1	1	1
20	9072-003	Plug/O-ring Assembly (7/16-20 Case Drain Plug)	1	1	1
†	250003-904	O-ring	1	1	1
	9170-002	Plug/O-ring Assembly (G 1/4 (BSP) Case Drain Plug)	1	1	1
†	250003-904	O-ring	1	1	1
21	*	Screw, Cap	4	4	4
24	201494-002	Piston Shuttle	1	1	1
25	8567-000	Poppet	2	2	2
26	230079-000	Spring	2	2	2
27	8755-000	Sleeve, Dash Pot	2	2	2
28	9072-005	Plug/O-ring Assembly (9/16-18 Shuttle Valve End)	2	2	2
†	250003-906	O-ring	2	2	2
#	29	15128-000	Seal		1
30	203971-001	Flange, Mounting — with leakage slots			1
	203971-002	Flange, Mounting — without leakage slots			1
39	201137-001	Sensor, Speed — (127mm [5.0 in.] lead wire)	1	1	1
	202925-001	Sensor, Speed – Quadrature — Two speed signals in quadrature each providing one pulse per target tooth	1	1	1
	202925-002	Sensor, Speed – Quadrature — One speed signal providing two pulses per target tooth and one directional signal	1	1	1
	113003-001	Sensor, Speed – Quadrature — Two speed signals in quadrature each providing one pulse per target tooth **	1	1	1
	113003-002	Sensor, Speed – Quadrature — One speed signal providing two pulses per target tooth and one directional signal **	1	1	1
50	16048-500	Shim	A/R	A/R	A/R
51	17024-026	Spring	1	1	1
52	201495-004	Poppet	1	1	1
53	9072-004	Plug/O-ring S/A	1	1	1
†	250003-905	O-ring	1	1	1
54	201868-003	Plug/O-ring S/A	1	1	1
†	250002-012	O-ring	1	1	1
†	56	250002-039	Seal	1	1
†	58	250002-012	O-ring	1	1
	61335-000	Seal Kit (Bearingless Motors with mounting flange)—Contains Parts Indicated by #			
	61336-000	Seal Kit (Bearingless Motors without mounting flange)—Contains Parts Indicated by X			

*— See Chart on Opposite Page.

**— Mates with DC Micro Connectors or Equivalent:
 Turk Eurofast WKCV 4.4T Cable
 Brad Harrison Micro-Change Single Keyway Plugs
 Lumberg "Micro" Style 12mm DC Connector

A/R As Required

Notes: _____

Notes:

4000 Compact Series Disc Valve Motors

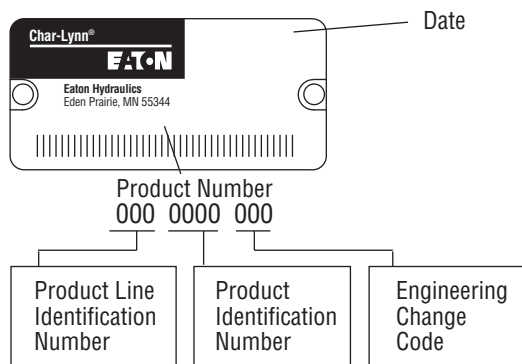
For Additional Literature Contact Eaton Hydraulics
14615 Lone Oak Road Eden Prairie, MN 55344.

- Specifications and performance data, Catalog 11-01-113.
- When servicing 4000 Compact Series Motors refer to Repair Information 07-01-160. This repair manual lists tools required, and step by step disassembly and reassembly procedures.

How to Order Replacement Parts

Each Order Must Include the Following:

1. Product Number
2. Date Code
3. Part Name
4. Part Number
5. Quantity of Parts



Eaton
Fluid Power Group
Hydraulics Business USA
14615 Lone Oak Road
Eden Prairie, MN 55344
USA
Tel: 952-937-9800
Fax: 952-294-7722
www.eaton.com/hydraulics

Eaton
Fluid Power Group
Hydraulics Business Europe
Route de la Longeraie 7
1110 Morges
Switzerland
Tel: +41 (0) 21 811 4600
Fax: +41 (0) 21 811 4601

Eaton
Fluid Power Group
Hydraulics Business Asia Pacific
11th Floor Hong Kong New World Tower
300 Huaihai Zhong Road
Shanghai 200021
China
Tel: 86-21-6387-9988
Fax: 86-21-6335-3912