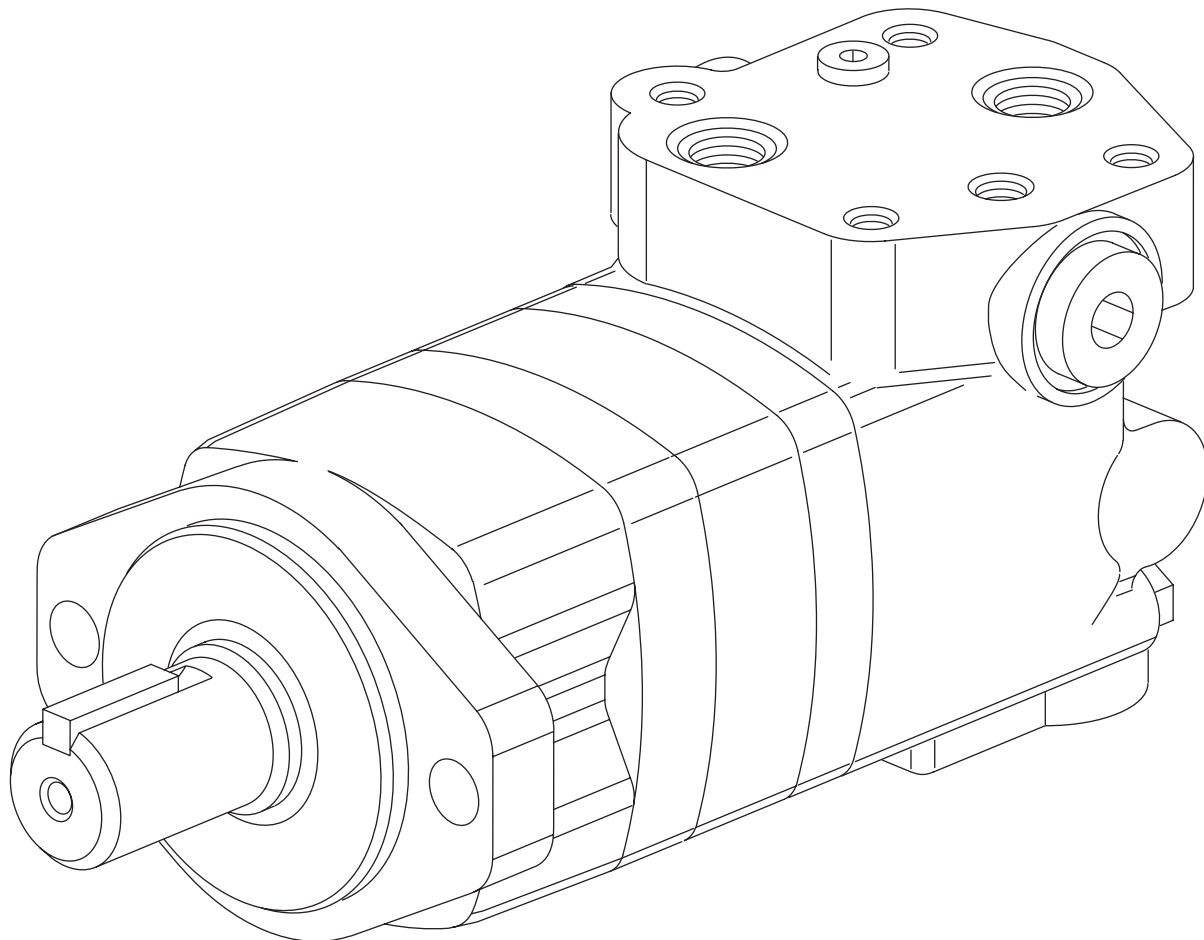


Char-Lynn®
Hydraulic Motor

May, 1999



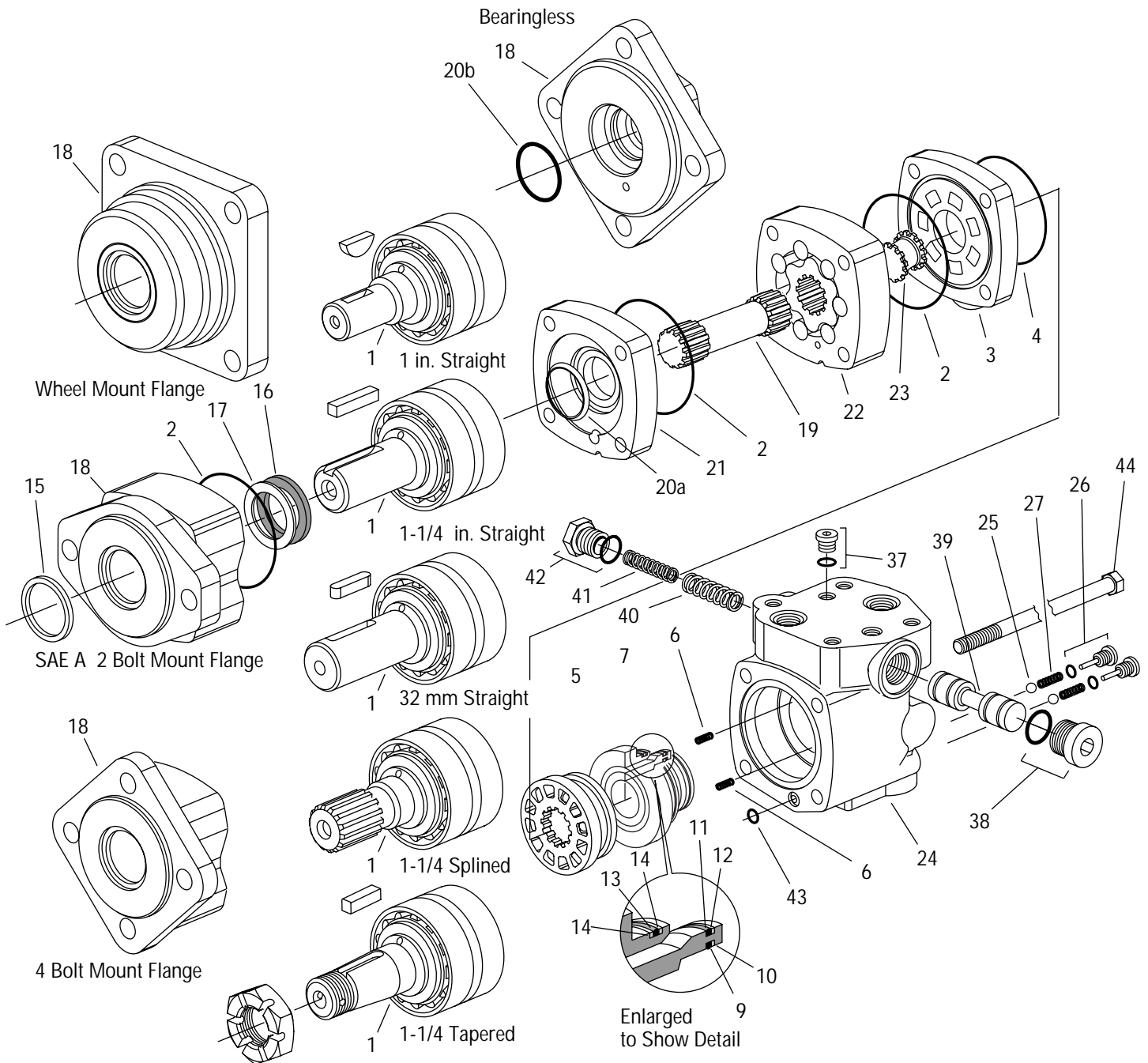
Parts Information



**2000 Series — Two Speed
Disc Valve Geroler® Motor**

001

Displacement cm ³ /r [in ³ /r]	Drive — Ref. No. 19		Geroler® — Ref. No. 22		Bolt — Ref. No. 44 Standard/Wheel		Bolt — Ref. No. 44 Bearingless	
	Part No.	Length mm [inch]	Part No.	Width mm [inch]	Part No.	Length mm [in.]	Part No.	Length mm [in.]
80 [4.9]	21371-009	76,2 [3.00]	21625-001	17,8 [.70]	14384-010	154,9 [6.10]	14384-006	135,4 [5.33]
100 [6.2]	21371-010	80,8 [3.18]	21625-002	22,5 [.88]	14384-020	159,8 [6.29]	14384-007	138,4 [5.45]
130 [8.0]	21371-004	87,2 [3.43]	21625-003	28,9 [1.14]	14384-012	164,5 [6.48]	14384-008	144,8 [5.70]
155 [9.6]	21371-004	87,2 [3.43]	21625-004	28,9 [1.14]	14384-012	164,5 [6.48]	14384-008	144,8 [5.70]
195 [11.9]	21371-005	94,0 [3.70]	21625-005	35,6 [1.40]	14384-021	172,5 [6.79]	14384-010	154,9 [6.10]
245 [14.9]	21371-006	103,1 [4.06]	21625-006	44,7 [1.76]	14384-014	182,4 [7.18]	14384-012	164,5 [6.48]
305 [18.7]	21371-007	114,6 [4.51]	21625-007	56,0 [2.21]	14384-015	191,5 [7.54]	14384-021	172,5 [6.79]
395 [24.0]	21371-008	130,4 [5.13]	21625-008	72,0 [2.83]	14384-022	208,8 [8.22]	14384-015	191,5 [7.54]
490 [29.8]	21371-012	147,9 [5.82]	21625-010	89,4 [3.52]	14384-032	226,3 [8.91]	—	—



2000 Series — Two Speed Parts List

Ref. No.	Part Number	Description	Quantity Standard	Wheel	Bearingless
1	21618-001	Shaft and Bearing (1 inch Straight)	1	1	
	14193-000	Key (for 1 inch Straight)	1	1	
	21618-002	Shaft and Bearing (1-1/4 inch Straight)	1	1	
	14392-008	Key (for 1-1/4 inch Straight)	1	1	
	21618-003	Shaft and Bearing (1-1/4 inch Tapered)	1	1	
	14392-006	Key (for 1-1/4 inch Tapered)	1	1	
	14163-000	Nut (for 1-1/4 inch Tapered)	1	1	
	21618-004	Shaft and Bearing (1-1/4 inch Splined)	1	1	
	21618-023	Shaft and Bearing (32 mm Straight)	1	1	
	14460-005	Key (for 32 mm Straight)	1	1	
OX 2	14559-006	Seal 76 mm [3 in.] I.D.	3	3	2
3	21722-000	Plate, Valve	1	1	1
OX 4	250002-039	Seal	1	1	1
5	23047-000	Valve	1	1	1
6	7383-000	Spring	2	2	2
7	21601-000	Balance Ring S/A (w/Pins 2)	1	1	1
OX 9	250001-024	O-ring	1	1	
OX 10	14654-023	Ring, Back-up	1	1	1
OX 11	250001-028	O-ring	1	1	1
OX 12	14654-028	Ring, Back-up	1	1	1
OX 13	250001-031	O-ring	1	1	1
OX 14	14654-031	Ring Back-up	2	2	2
X 15	9121-001	Seal, Dust	1	1	
X 16	9057-009	Seal, Shaft	1	1	1
X 17	7382-000	Ring, Back-up	1	1	1
18	21578-001	Housing, Bearing (Std. 2 Bolt SAE B 101,6 [4.00] Pilot Dia.) (Not Shown)	1		
	21578-003	Housing, Bearing (Wheel 4 Bolt 107,9 [4.25] Pilot Dia.)		1	
	21578-004	Housing, Bearing (2 Bolt SAE A 82,5 [3.25] Pilot Dia.)	1		
	21578-005	Housing, Bearing (4 Bolt 82,5 [3.25] Pilot Dia.)	1		
	21578-008	Housing, Bearing (4 Bolt Magneto 82,5 [3.25] Pilot Dia.) (Not Shown)	1		
	22382-000	Flange, Mounting (Bearingless 101,6 [4.00] Pilot Dia.)			1
19	*	Drive	1	1	1
X 20a	9050-000	Seal, Face	1	1	
O 20b	15127-000	O-ring			1
21	22026-000	Wear Plate	1	1	
22	*	Geroler®	1	1	1
23	8433-000	Drive, Main	1	1	1
24	21602-001	Valve, Housing S/A (7/8-14 O-ring Ports (2) 7/16-20 Pilot Port)	1	1	1
25	18026-000	Ball, Steel	2	2	2
26	8350-000	Plug/ O-ring	2	2	2
OX	250003-903	O-ring	2	2	2

Continued on Page 4
* See Chart on Page 2

Disc Valve Hydraulic Motors

2000 Series — Two Speed

Continued from Page 3

27	6464-000	Spring, Compression	2	2	2
37	9072-003	Plug/O-ring	1	1	1
OX	250003-904	O-ring	1	1	1
38	9072-006	Plug/O-ring	1	1	1
OX	250003-908	O-ring	1	1	1
39	220449-000	Spool, Control	1	1	1
40	230304-000	Spring, Compression	1	1	1
41	230305-000	Spring, Compression	1	1	1
42	9151-002	Plug/O-ring	1	1	1
OX	250003-908	O-ring	1	1	1
OX 43	250002-012	O-ring	1	1	1
44	*	Bolt	4	4	4
X	61267-000	Seal Kit for Standard and Wheel Motors			
O	61266-000	Seal Kit for Bearingless Motors			
X	61274-000	Seal Kit for Standard and Wheel Motors (Viton)			

* See Chart on Page 2

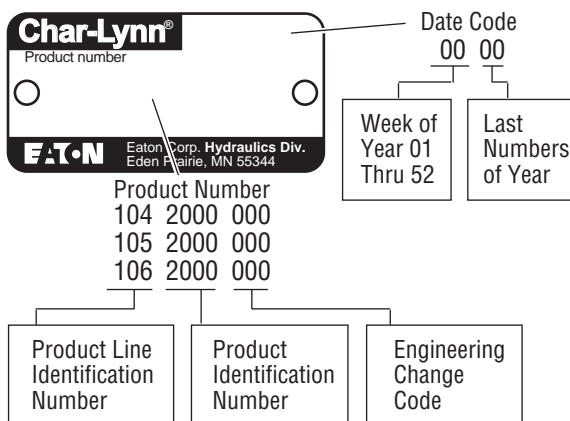
How to Order Replacement Parts

Each Order Must Include the Following:

1. Product Number
2. Date Code
3. Part Name
4. Part Number
5. Quantity of Parts

For More Detailed Information Contact Eaton Corp. Hydraulics Division 15151 Highway 5 Eden Prairie, MN 55344.

- Specifications and performance data, Catalog No. 11-878
- When servicing 2000 Series — Two Speed Motors refer to Repair Information No. 7-131. This repair manual lists Tools required, and step by step disassembly and reassembly procedures.



Eaton
Fluid Power Group
Hydraulics Business USA
14615 Lone Oak Road
Eden Prairie, MN 55344
USA
Tel: 952-937-9800
Fax: 952-294-7722
www.eaton.com/hydraulics

Eaton
Fluid Power Group
Hydraulics Business Europe
Route de la Longeraie 7
1110 Morges
Switzerland
Tel: +41 (0) 21 811 4600
Fax: +41 (0) 21 811 4601

Eaton
Fluid Power Group
Hydraulics Business Asia Pacific
11th Floor Hong Kong New World Tower
300 Huaihai Zhong Road
Shanghai 200021
China
Tel: 86-21-6387-9988
Fax: 86-21-6335-3912