

EAT•N

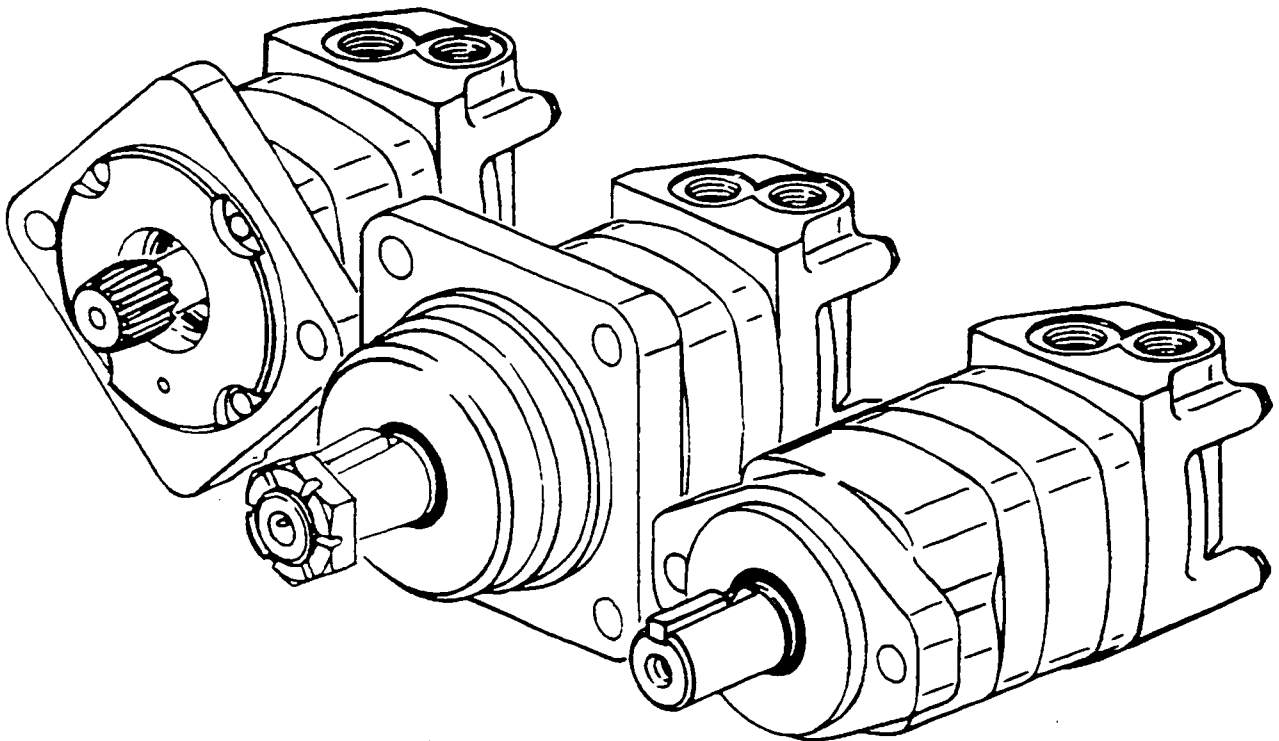
Char-Lynn

Hydraulic Motors

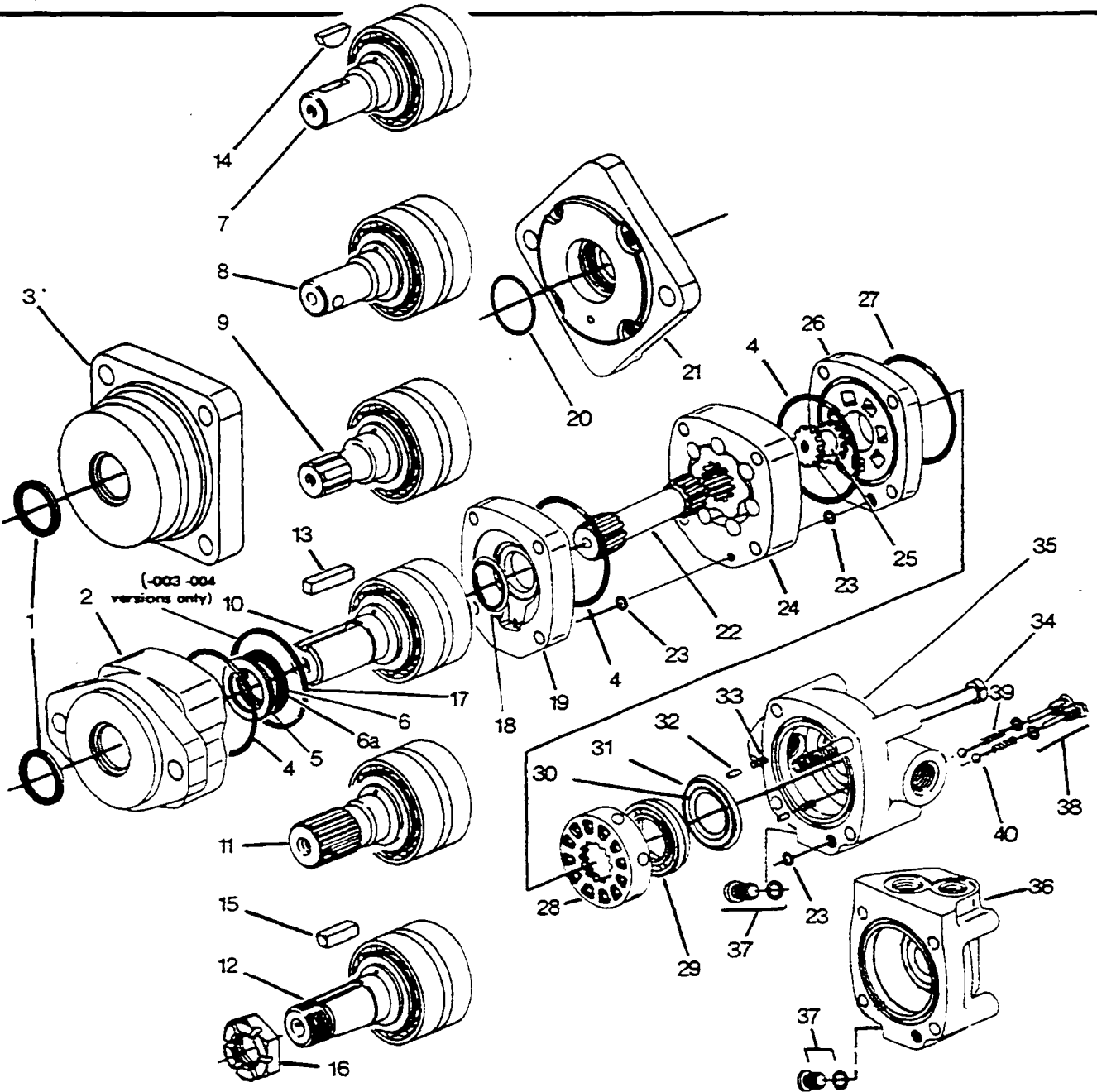
2000 Series
Geroler® Motors

003 004 005

Parts Information



PARTS DRAWING



| Displ. (cu. in./rev) | Ref. No. 22 (Drive) | | | Ref. No. 24 (Geroler) | | Ref. No. 34 (Bolt) | | | |
|-------------------------|------------------------|---------|----------|--------------------------|--------|---------------------------------|--------|------------------------|--------|
| | Design Code/Part No. | | | | | For Standard and Whee Motors | | For Bearingless Motors | |
| | -003 | -004 | -005 | Part No. | Width | Part No. | Length | Part No. | Length |
| 4.9 | --- | --- | 21371-9 | 8789-1 | .701" | 14384-7 | 5.45" | 14384-2 | 4.26" |
| 6.2 | --- | --- | 21371-10 | 8789-2 | .884" | 14384-7 | 5.45" | 14384-2 | 4.26" |
| 8.0 | --- | --- | 21371-4 | 8789-3 | 1.137" | 14384-9 | 5.95" | 14384-3 | 4.77" |
| 9.6 | 8289 | 21371-4 | 21371-4 | 8789-4 | 1.137" | 14384-9 | 5.95" | 14384-3 | 4.77" |
| 11.9 | 8359 | 21371-5 | 21371-5 | 8789-5 | 1.402" | 14384-9 | 5.95" | 14384-4 | 5.01" |
| 14.9 | 8360 | 21371-6 | 21371-6 | 8789-6 | 1.758" | 14384-11 | 6.41" | 14384-7 | 5.45" |
| 18.7 | 8361 | 21371-7 | 21371-7 | 8789-7 | 2.206" | 14384-13 | 6.57" | 14384-9 | 5.95" |
| 24.0 | --- | 21371-8 | 21371-8 | 8789-8 | 2.833" | 14384-15 | 7.54" | 14384-11 | 6.41" |

PARTS LIST

Note: This parts list covers -003, -004 and -005 versions of the 2000 Series Motor. Major design changes are indicated by the design code which is the last 3 digits of the product number. The current design code is -005. Not all parts are interchangeable. See column for design code of your motor.

| Ref. No. | Design Code/Part Number | | | Description | Qty. Per Unit | | |
|--|-------------------------|------------|------------|--|---------------|-------------|----------------|
| | -003 | -004 | -005 | | Std. Motor | Wheel Motor | Brigless Motor |
| 1 | 9121-1 | 9121-1 | 9121-1 | Seal, Dust | 1 | 1 | |
| 2 | 8537 *** | 8537 *** | 8537 | Housing, Bearing | 1 | | |
| 3 | 8536 *** | 8536 *** | 8536 | Housing, Bearing | | 1 | |
| 4 | 9022-6 | 9022-6 | 9022-6 | Seal 3" I.D. | 3 | 3 | 2 |
| 5 | 7382 | 7382 | 7382 | Washer, Back-up | 1 | 1 | |
| 6 | 9057-9 | 9057-9 | 9057-9 | Seal, Shaft | 1 | 1 | |
| 6a | 9117-4 | 9117-4 | 9117-4 | Seal, Shaft, Viton | 1 | 1 | |
| 7 | 7404-1 | 7404-1 | 7404-1 | Shaft & Bearing Kit (1" Straight) ** | 1 | 1 | |
| 8 | 7404-6 | 7404-6 | 7404-6 | Shaft & Bearing Kit (1" w/crosshole) ** | 1 | 1 | |
| 9 | 7404-2 | 7404-2 | 7404-2 | Shaft & Bearing Kit (1" Splined) ** | 1 | 1 | |
| 10 | 7404-3 | 7404-3 | 7404-3 | Shaft & Bearing Kit (1-1/4" Straight) ** | 1 | 1 | |
| 11 | 7404-4 | 7404-4 | 7404-4 | Shaft & Bearing Kit (1-1/4" Splined) ** | 1 | 1 | |
| 12 | 7404-5 | 7404-5 | 7404-5 | Shaft & Bearing Kit (1-1/4" Tapered) ** | 1 | 1 | |
| (above shaft and bearing kits contain parts which are NSS) | | | | | | | |
| 13 | 14392-8 | 14392-8 | 14392-8 | Key (for straight shaft ref. no.10) | 1 | 1 | |
| 14 | 14193 | 14193 | 14193 | Key (for straight shaft ref. no. 7) | 1 | 1 | |
| 15 | 14392-6 | 14392-6 | 14392-6 | Key (for tapered shaft ref. no. 12) | 1 | 1 | |
| 16 | 14163 | 14163 | 14163 | Nut, Hex (for tapered shaft ref. no.12) | 1 | 1 | |
| 17 | 61203 | 61203 | DNA | Spacer Bearing Kit ** | 1 | 1 | |
| 18 | 9050 | 9050 | 9050 | Seal, Shaft Face | 1 | 1 | |
| 19 | 7390 | 7390 | 7390 | Plate, Wear | 1 | 1 | |
| 20 | 15127 | 15127 | 15127 | Seal, O-ring 1-1/2" I.D. | | | 1 |
| 21 | 8055 | 8055 | 8055 | Flange, Mounting | | | 1 |
| 22 | . | . | . | Drive | 1 | 1 | 1 |
| 23 | 15006 | 15006 | 15006 | Seal, O-ring 5/16" I.D. | 3 | 3 | 3 |
| 24 | . | . | . | Geroler | 1 | 1 | 1 |
| 25 | 8038 | 8433 | 8433 | Drive, Valve | 1 | 1 | 1 |
| 26 | 7370-2 | 8432 | 8432 | Plate, Valve | 1 | 1 | 1 |
| 27 | 9022-2 | 9022-2 | 9022-2 | Seal, 2-5/8" I.D. | 1 | 1 | 1 |
| 28 | 21466 | 8435 | 8435 | Valve | 1 | 1 | 1 |
| 29 | 8915 | 8915 | 8915 | Balance Ring | 1 | 1 | 1 |
| 30 | 9049-1 | 9049-1 | 9049-1 | Seal, Face, Inner | 1 | 1 | 1 |
| 31 | 9048-1 | 9048-1 | 9048-1 | Seal, Face, Outer | 1 | 1 | 1 |
| 32 | 14351 | 14351 | 14351 | Pin | 2 | 2 | 2 |
| 33 | 7383 | 7383 | 7383 | Spring | 2 | 2 | 2 |
| 34 | . | . | . | Bolt | 4 | 4 | 4 |
| 35 | DNA | 8159-2 | 8159-2 | Housing, Valve (1-1/16"-12 180° ports) | 1 | 1 | 1 |
| 36 | 8355 | 8355 | 8355 | Housing, Valve (7/8"-14 staggered ports) | 1 | 1 | 1 |
| 37 | 9072-3 | 9072-3 | 9072-3 | Plug Assembly | 1 | 1 | 1 |
| | 250003-904 | 250003-904 | 250003-904 | O-ring | 1 | 1 | 1 |
| 38 | 8350 | 8350 | 8350 | Check Plug Assembly | 2 | 2 | 2 |
| | 250003-903 | 250003-903 | 250003-903 | O-ring | 2 | 2 | 2 |
| 39 | 6464 | 6464 | 6464 | Spring | 2 | 2 | 2 |
| 40 | 18026 | 18026 | 18026 | Ball, Steel | 2 | 2 | 2 |

61252 Seal Kit, Contains all seals for Standard and Wheel Motors

61202 Seal Kit, Motor (Bearingless Motor Only), contains all seals except shaft seal and dust seal.

61247 Viton Seal Kit, contains all seals for Standard and Wheel Motors.

**Order 61203 Bearing Spacer Kit whenever you replace the Shaft and Bearing Kit.

*** When replacing the bearing housing on the -003 and -004 versions, delete the bearing spacer.

..See chart on opposite page DNA—Does Not Apply NSS—Not Sold Separately

7/8-14 O-ring Staggered Ports

| Mounting | Shaft | Displacement cm ³ /r [in ³ /r] and Product Number | | | | | | | |
|---------------------------|----------------------------|---|---------------|---------------|---------------|---------------|---------------|---------------|---------------|
| | | 80 [4.9] | 100 [6.2] | 130 [8.0] | 160 [9.6] | 195 [11.9] | 245 [14.9] | 305 [18.7] | 395 [24.0] |
| 2 Bolt SAE A Flange | 1 inch Straight | 104-1001 | -1002 | -1003 | -1004 | -1005 | -1006 | -1007 | -1143 |
| | 1 inch SAE 6B Splined | 104-1015 | -1016 | -1017 | -1018 | -1019 | -1020 | -1021 | 1227 |
| | 1-1/4 inch Straight | 104-1022 | -1023 | -1024 | -1025 | -1026 | -1027 | -1028 | -1228 |
| | 1-1/4 inch 14 T Splined | 104-1029 | -1030 | -1031 | -1032 | -1033 | -1034 | -1035 | -1229 |
| | 1-1/4 inch Tapered | 104-1008 | -1009 | -1010 | -1011 | -1012 | -1013 | -1014 | -1226 |
| Wheel Motor | 1 inch Straight | 105-1008 | -1009 | -1010 | -1011 | -1012 | -1013 | -1014 | -1061 |
| | 1 inch SAE 6B Splined | 105-1015 | -1016 | -1017 | -1018 | -1019 | -1020 | -1021 | 1062 |
| | 1-1/4 inch Straight | 105-1022 | -1023 | -1024 | -1025 | -1026 | -1027 | -1028 | -1063 |
| | 1-1/4 inch 14 T Splined | 105-1029 | -1030 | -1031 | -1032 | -1033 | -1034 | -1035 | -1096 |
| | 1-1/4 inch Tapered | 105-1001 | -1002 | -1003 | -1004 | -1005 | -1006 | -1007 | -1060 |
| Bearingless | | 106-1008 | -1009 | -1010 | -1011 | -1012 | -1013 | -1014 | -1015 |

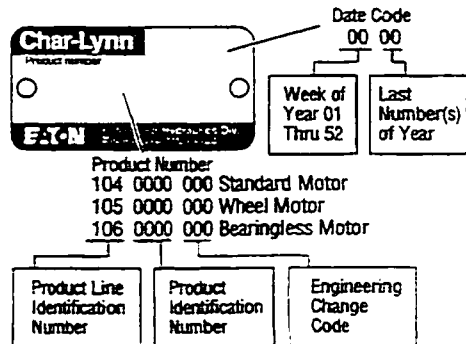
1-1/16—12 O-ring 180° Apart

| Mounting | Shaft | Displacement cm ³ /r [in ³ /r] and Product Number | | | | | | | |
|---------------------------|-----------------------------|---|---------------|---------------|---------------|---------------|---------------|---------------|---------------|
| | | 80 [4.9] | 100 [6.2] | 130 [8.0] | 160 [9.6] | 195 [11.9] | 245 [14.9] | 305 [18.7] | 395 [24.0] |
| 2 Bolt SAE A Flange | 1 inch Straight | 104-1037 | -1038 | -1039 | -1040 | -1041 | -1042 | -1043 | -1044 |
| | 1 inch Straight w/Crosshole | 104-1045 | -1046 | -1047 | -1048 | -1049 | -1050 | -1051 | -1052 |
| | 1 inch SAE 6B Splined | 104-1053 | -1054 | -1055 | -1056 | -1057 | -1058 | -1059 | -1060 |
| | 1-1/4 inch Straight | 104-1061 | -1062 | -1063 | -1064 | -1065 | -1066 | -1067 | -1068 |
| | 1-1/4 inch 14 T Splined | 104-1087 | -1088 | -1089 | -1090 | -1091 | -1092 | -1093 | -1094 |
| Wheel Motor | 1-1/4 inch Tapered | 104-1095 | -1096 | -1097 | -1098 | -1099 | -1100 | -1101 | -1102 |
| | 1 inch Straight | 105-1036 | -1037 | -1038 | -1039 | -1040 | -1041 | -1042 | -1043 |
| | 1 inch SAE 6B Splined | 105-1044 | -1045 | -1046 | -1047 | -1048 | -1049 | -1050 | -1051 |
| | 1-1/4 inch Straight | 105-1052 | -1053 | -1054 | -1055 | -1056 | -1057 | -1058 | -1059 |
| | 1-1/4 inch 14 T Splined | 105-1079 | -1080 | -1081 | -1082 | -1083 | -1084 | -1085 | -1086 |
| Bearingless | | 105-1071 | -1072 | -1073 | -1074 | -1075 | -1076 | -1077 | -1078 |
| Bearingless | | 106-1030 | -1031 | -1032 | -1033 | -1034 | -1035 | -1036 | -1037 |

How to Order Replacement Parts

Each Order Must Include the Following:

1. Product Number
2. Date Code
3. Part Name
4. Part Number
5. Quantity of Parts



Eaton
14615 Lone Oak Road
Eden Prairie, MN 55344
USA
Tel: 952 937-9800
Fax: 952 974-7722
www.hydraulics.eaton.com

Eaton
20 Rosamond Road
Footscray
Victoria 3011
Australia
Tel: (61) 3 9319 8222
Fax: (61) 3 9318 5714

Eaton
Dr.-Reckeweg-Str. 1
D-75532 Baden-Baden
Germany
Tel: (49) 7221 682-0
Fax: (49) 7221 682-788



Char-Lynn