

KA126H3 and KA847W surge arrester mounting brackets assembly and installation instructions



Powering Business Worldwide

DISCLAIMER OF WARRANTIES AND LIMITATION OF LIABILITY

The information, recommendations, descriptions and safety notations in this document are based on Eaton Corporation's ("Eaton") experience and judgment and may not cover all contingencies. If further information is required, an Eaton sales office should be consulted. Sale of the product shown in this literature is subject to the terms and conditions outlined in appropriate Eaton selling policies or other contractual agreement between Eaton and the purchaser.

THERE ARE NO UNDERSTANDINGS, AGREEMENTS, WARRANTIES, EXPRESSED OR IMPLIED, INCLUDING WARRANTIES OF FITNESS FOR A PARTICULAR PURPOSE OR MERCHANTABILITY, OTHER THAN THOSE SPECIFICALLY SET OUT IN ANY EXISTING CONTRACT BETWEEN THE PARTIES. ANY SUCH CONTRACT STATES THE ENTIRE OBLIGATION OF EATON. THE CONTENTS OF THIS DOCUMENT SHALL NOT BECOME PART OF OR MODIFY ANY CONTRACT BETWEEN THE PARTIES.

In no event will Eaton be responsible to the purchaser or user in contract, in tort (including negligence), strict liability or otherwise for any special, indirect, incidental or consequential damage or loss whatsoever, including but not limited to damage or loss of use of equipment, plant or power system, cost of capital, loss of power, additional expenses in the use of existing power facilities, or claims against the purchaser or user by its customers resulting from the use of the information, recommendations and descriptions contained herein. The information contained in this manual is subject to change without notice.

Contents

SAFETY INFORMATION

Safety instructions.....	iv
--------------------------	----

PRODUCT INFORMATION

Introduction.....	1
Acceptance and initial inspection.....	1
Handling and storage.....	1
Quality standards.....	1

ASSEMBLY AND INSTALLATION

Installation options for reclosers equipped with outboard-mounted BCTs and surge arresters.....	2
---	---



Safety for life



Eaton meets or exceeds all applicable industry standards relating to product safety in its Cooper Power™ series products. We actively promote safe practices in the use and maintenance of our products through our service literature, instructional training programs, and the continuous efforts of all Eaton employees involved in product design, manufacture, marketing, and service.

We strongly urge that you always follow all locally approved safety procedures and safety instructions when working around high voltage lines and equipment, and support our “Safety For Life” mission.

Safety information

The instructions in this manual are not intended as a substitute for proper training or adequate experience in the safe operation of the equipment described. Only competent technicians who are familiar with this equipment should install, operate, and service it.

A competent technician has these qualifications:

- Is thoroughly familiar with these instructions.
- Is trained in industry-accepted high and low-voltage safe operating practices and procedures.
- Is trained and authorized to energize, de-energize, clear, and ground power distribution equipment.
- Is trained in the care and use of protective equipment such as arc flash clothing, safety glasses, face shield, hard hat, rubber gloves, clampstick, hotstick, etc.

Following is important safety information. For safe installation and operation of this equipment, be sure to read and understand all cautions and warnings.

Hazard Statement Definitions

This manual may contain four types of hazard statements:

DANGER

Indicates an imminently hazardous situation which, if not avoided, will result in death or serious injury.

WARNING

Indicates a potentially hazardous situation which, if not avoided, could result in death or serious injury.

CAUTION

Indicates a potentially hazardous situation which, if not avoided, may result in minor or moderate injury.

CAUTION

Indicates a potentially hazardous situation which, if not avoided, may result in equipment damage only.

Safety instructions

Following are general caution and warning statements that apply to this equipment. Additional statements, related to specific tasks and procedures, are located throughout the manual.

DANGER

Hazardous voltage. Contact with hazardous voltage will cause death or severe personal injury. Follow all locally approved safety procedures when working around high- and low-voltage lines and equipment.

G103.3

WARNING

Before installing, operating, maintaining, or testing this equipment, carefully read and understand the contents of this manual. Improper operation, handling or maintenance can result in death, severe personal injury, and equipment damage.

G101.0

WARNING

This equipment is not intended to protect human life. Follow all locally approved procedures and safety practices when installing or operating this equipment. Failure to comply can result in death, severe personal injury and equipment damage.

G102.1

WARNING

Power distribution and transmission equipment must be properly selected for the intended application. It must be installed and serviced by competent personnel who have been trained and understand proper safety procedures. These instructions are written for such personnel and are not a substitute for adequate training and experience in safety procedures. Failure to properly select, install or maintain power distribution and transmission equipment can result in death, severe personal injury, and equipment damage.

G122.2

Product information

Introduction

Eaton's *Service Information MN280024EN* provides assembly and installation instructions for Cooper Power™ series KA126H3 and KA847W surge arrester mounting brackets. These mounting brackets are for application upon Type KA116H3, KGN50E, and KA146W5 pole-mounting hangers.

Read this manual first

Read and understand the contents of this manual and follow all locally approved procedures and safety practices before installing or operating this equipment.

Additional information

These instructions cannot cover all details or variations in the equipment, procedures, or process described nor to provide directions for meeting every possible contingency during installation, operation, or maintenance. For additional information, please contact your Eaton representative.

Acceptance and initial inspection

Each mounting bracket is in good condition at the factory and when accepted by the carrier for shipment.

Upon receipt, inspect the carton for signs of damage. Unpack the mounting bracket and inspect it thoroughly for damage incurred during shipment. If damage is discovered, file a claim with the carrier immediately.

Handling and storage

Be careful during handling and storage of the mounting bracket to minimize the possibility of damage. If the mounting bracket is to be stored for any length of time prior to installation, provide a clean, dry storage area.

Quality standards

ISO 9001 Certified Quality Management System

Assembly and installation

CAUTION

Falling equipment. Use the lifting lugs provided and follow all locally approved safety practices when lifting and mounting the equipment. Lift the unit smoothly and do not allow the unit to shift. Improper lifting can result in severe personal injury, death, and/or equipment damage.

G106.3

Type KA126H3 and KA847W surge arrester mounting bracket assemblies are shipped in a disassembled state. Refer to Figures 1–4 to identify your application and configuration best suited for your requirement. Assemble the brackets using the following procedure.

- Attach the two support brackets (Item 2) to the pole mounting hanger.
 - For installations requiring attachment at the outboard extreme of the hanger, attach the support brackets (Item 2) to the pole mounting hanger using the provided machine bolts, split lockwashers, and hex nuts (Items 3, 4 and 5).
 - For applications requiring the surge arrester bracket to be mounted on the pole side of the hanging bracket, attach the support brackets (Item 2) to the pole bracket using the existing pole bracket mounting hardware per Figures 1–4.
- Attach the horizontal support (Item 1) to the support brackets (Item 2) with two machine bolts, split lockwashers, and hex nuts (Items 3, 4 and 5).

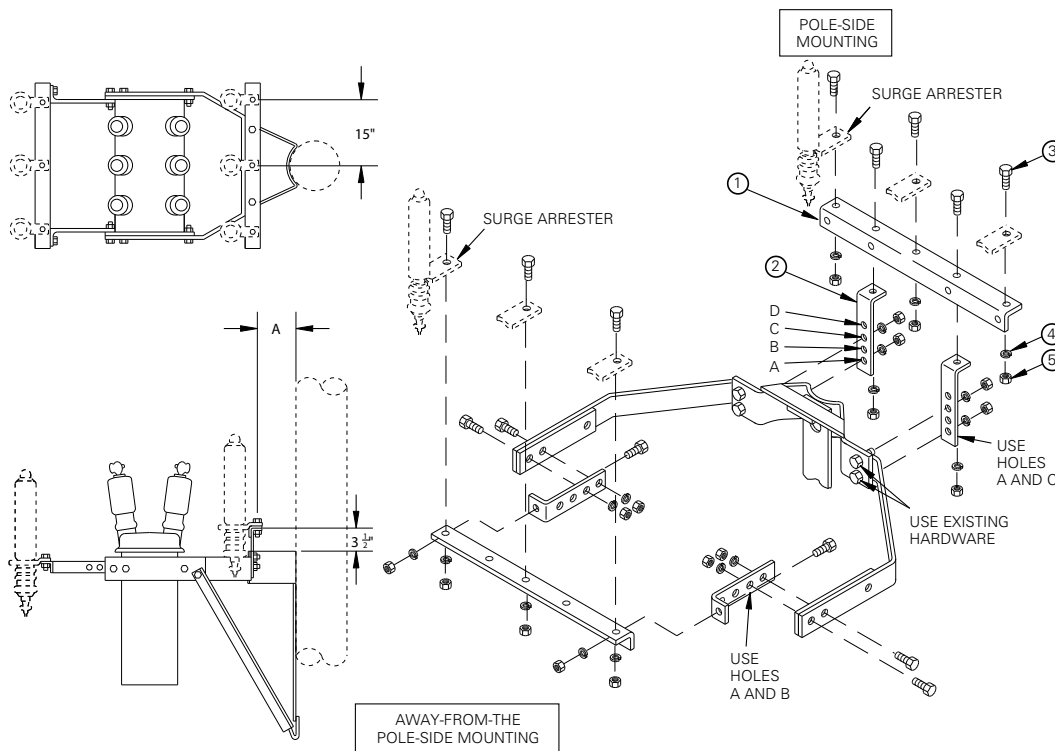


Table 1. KA126H3 Assembly Parts List

Ref. No.	Quantity	Description
1	1	W000316 Support
2	2	KP317W Support Bracket
3	7	Machine Bolt, 1/2-13 x 1-1/2" hex head
4	7	Split Lockwasher, 1/2" medium
5	7	Nut, 1/2-13, hex

Pole-Mounting Hanger Type	Dimension A (in.)
KA116H3	2-3/8
KGN50E	7-3/8

Figure 1. Installation of KA126H3 surge arrester mounting brackets on KA116H3 and KGN50E pole-mounting hangers.

Installation options for reclosers equipped with outboard-mounted BCTs and surge arresters

If the recloser is equipped with outboard-mounted BCTs and surge arresters, use either the KA126H3 surge arrester mounting bracket and the factory wiring accessory KA883R2, or use the KA847W surge arrester mounting bracket as shown in Figure 3.

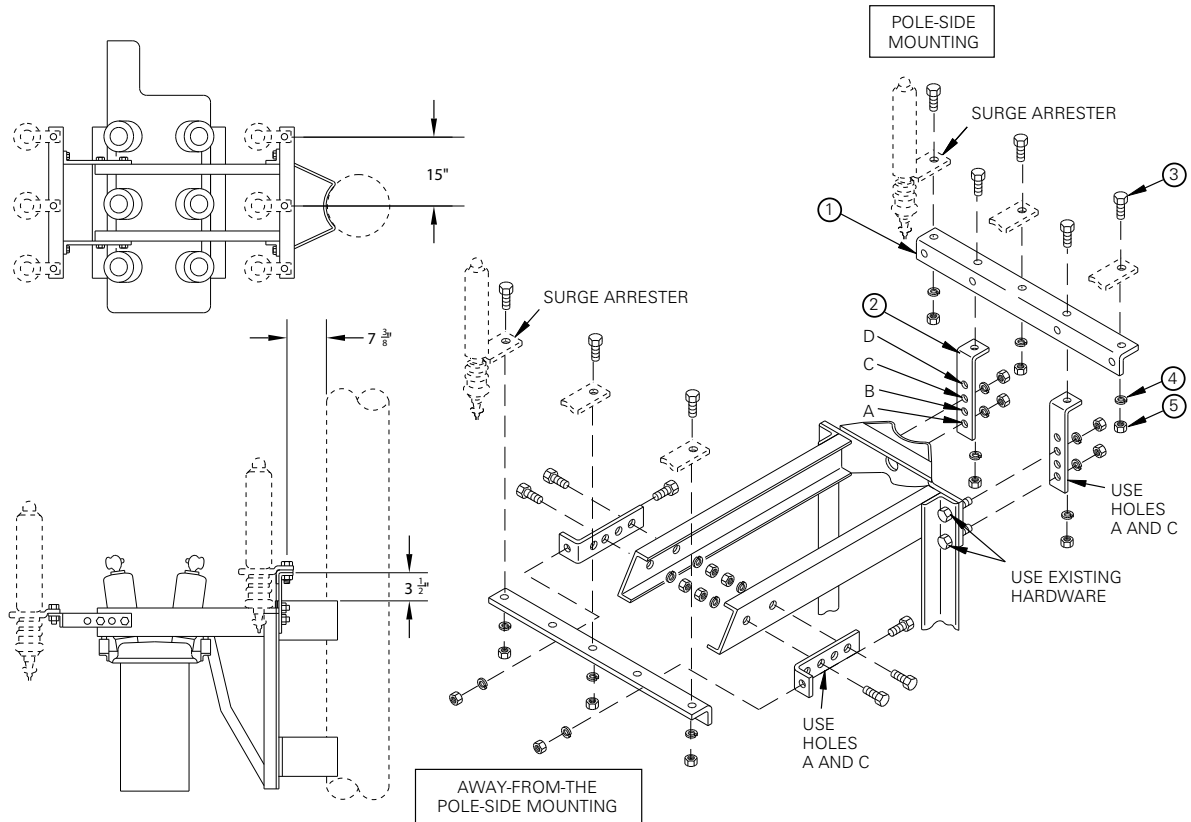


Table 2. KA126H3 Assembly Parts List

Ref. No.	Quantity	Description
1	1	W000316 Support
2	2	KP317W Support Bracket
3	7	Machine Bolt, 1/2-13 x 1-1/2" hex head
4	7	Split Lockwasher, 1/2" medium
5	7	Nut, 1/2-13, hex

Figure 2. Installation of KA126H3 surge arrester mounting brackets on KA146W5 pole-mounting hanger with 15 and 27 kV class reclosers.

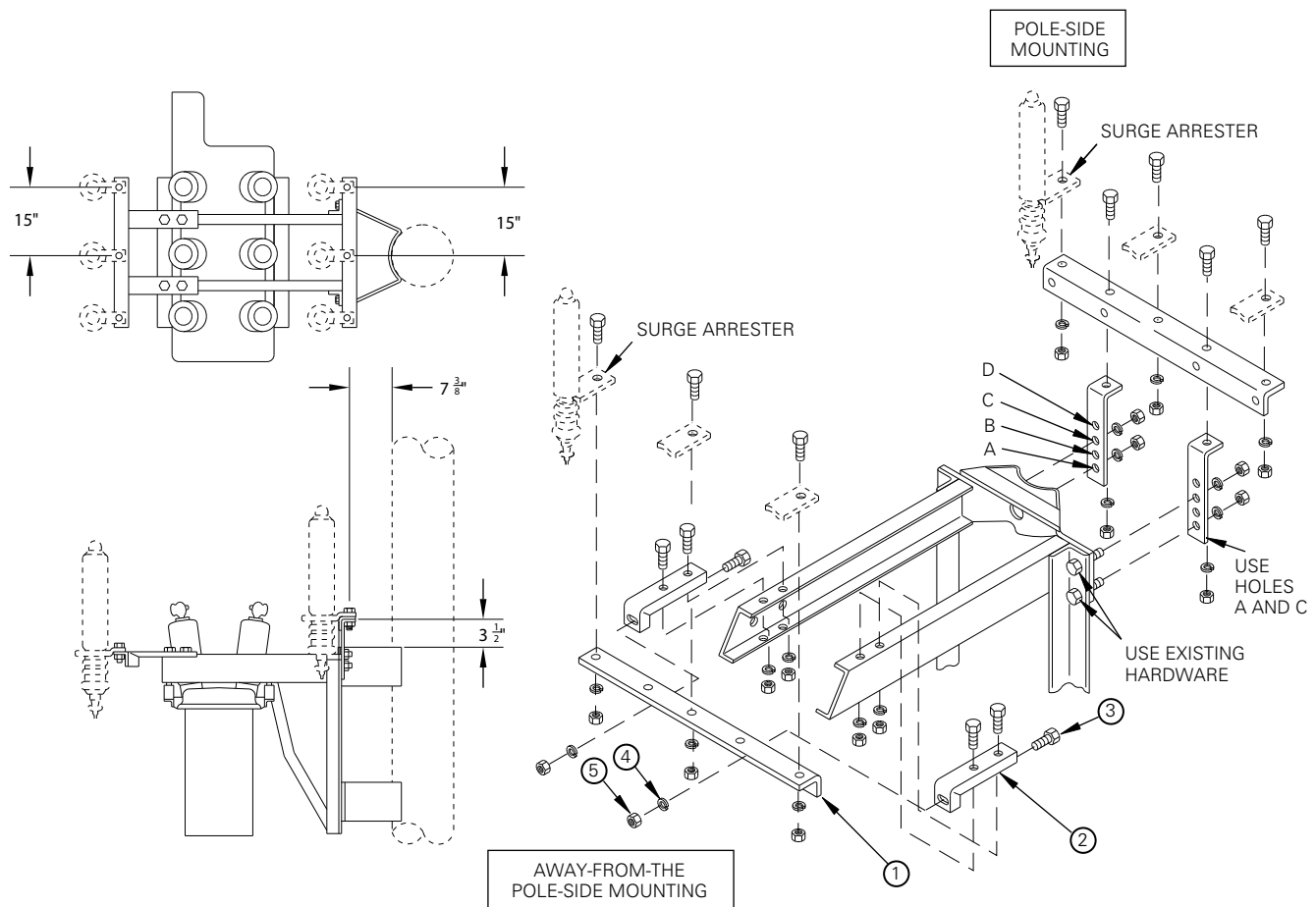


Table 3. KA847W Assembly Parts List

Ref. No.	Quantity	Description
1	1	W000316 Support
2	2	KP356W Support Bracket
3	9	Machine Bolt, 1/2-13 x 1-1/2" hex head
4	9	Split Lockwasher, 1/2" medium
5	9	Nut, 1/2-13, hex

Figure 3. Installation of KA847W surge arrester mounting bracket on outboard-side and KA126H3 surge arrester mounting bracket mounted pole-side on KA146W5 pole-mounting hanger with 15 and 27 kV class reclosers.

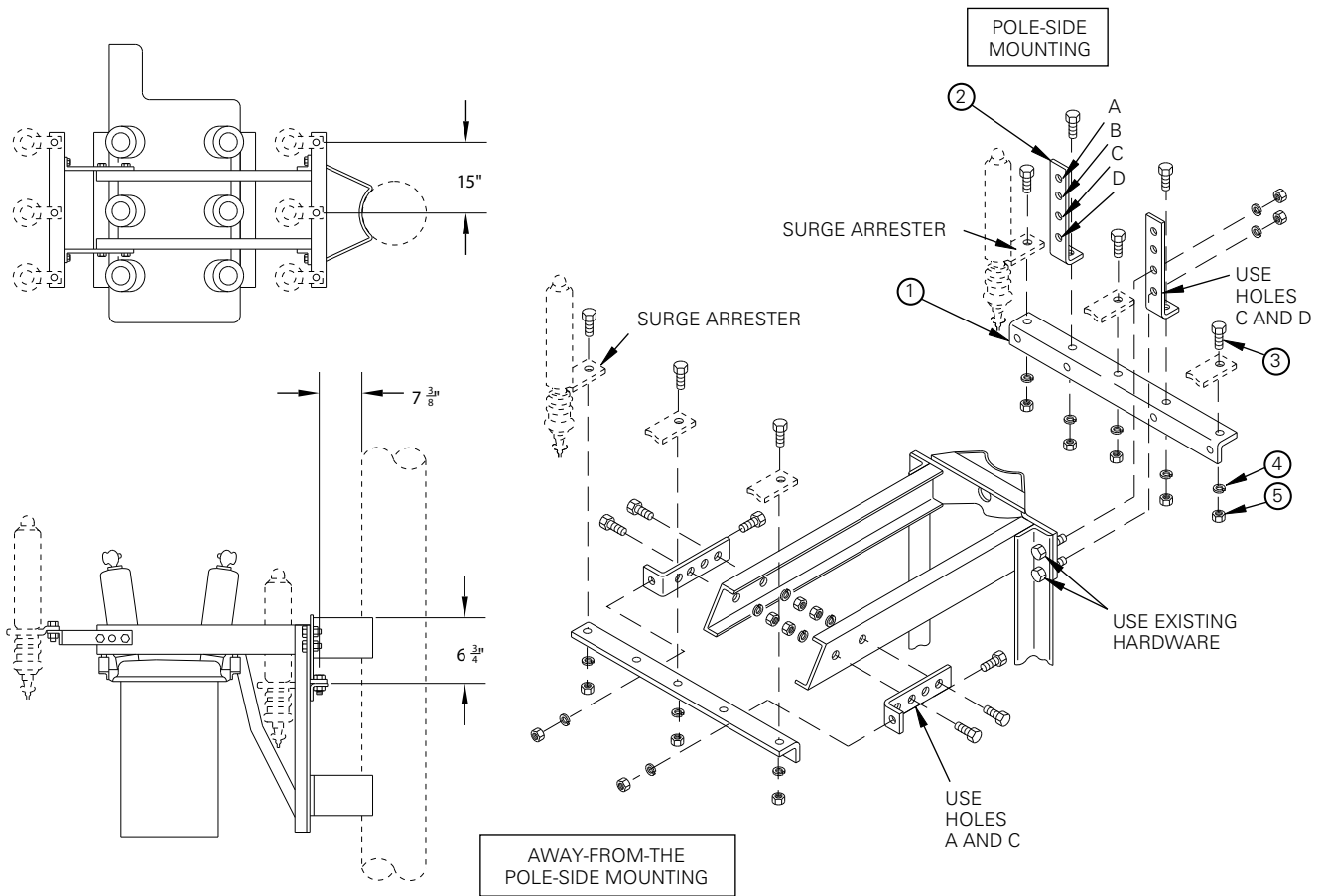


Table 4. KA126H Assembly Parts List

Ref. No.	Quantity	Description
1	1	W000316 Support
2	2	KP316W Support Bracket
3	7	Machine Bolt, 1/2-13 x 1-1/2" hex head
4	7	Split Lockwasher, 1/2" medium
5	7	Nut, 1/2-13, hex

Figure 4. Installation of KA126H3 surge arrester mounting brackets on KA146W5 pole-mounting hanger with Types WV38X, WVE38X, VVW38X and VVVE38X reclosers.

This page is intentionally left blank.

This page is intentionally left blank.



Eaton
1000 Eaton Boulevard
Cleveland, OH 44122
United States
Eaton.com

**Eaton's Cooper Power Systems
Division**
2300 Badger Drive
Waukesha, WI 53188
United States
Eaton.com/cooperpowerseries

© 2015 Eaton
All Rights Reserved
Printed in USA
Publication No. MN280024EN
KA2048-246 Rev: 02

Eaton is a registered trademark.

All trademarks are property
of their respective owners.

For Eaton's Cooper Power series product
information call 1-877-277-4636 or visit:
www.eaton.com/cooperpowerseries.