

# KA1 16H3 pole-mounting hanger assembly and installation instructions



*Powering Business Worldwide*

## **DISCLAIMER OF WARRANTIES AND LIMITATION OF LIABILITY**

The information, recommendations, descriptions and safety notations in this document are based on Eaton Corporation's ("Eaton") experience and judgment and may not cover all contingencies. If further information is required, an Eaton sales office should be consulted. Sale of the product shown in this literature is subject to the terms and conditions outlined in appropriate Eaton selling policies or other contractual agreement between Eaton and the purchaser.

THERE ARE NO UNDERSTANDINGS, AGREEMENTS, WARRANTIES, EXPRESSED OR IMPLIED, INCLUDING WARRANTIES OF FITNESS FOR A PARTICULAR PURPOSE OR MERCHANTABILITY, OTHER THAN THOSE SPECIFICALLY SET OUT IN ANY EXISTING CONTRACT BETWEEN THE PARTIES. ANY SUCH CONTRACT STATES THE ENTIRE OBLIGATION OF EATON. THE CONTENTS OF THIS DOCUMENT SHALL NOT BECOME PART OF OR MODIFY ANY CONTRACT BETWEEN THE PARTIES.

In no event will Eaton be responsible to the purchaser or user in contract, in tort (including negligence), strict liability or otherwise for any special, indirect, incidental or consequential damage or loss whatsoever, including but not limited to damage or loss of use of equipment, plant or power system, cost of capital, loss of power, additional expenses in the use of existing power facilities, or claims against the purchaser or user by its customers resulting from the use of the information, recommendations and descriptions contained herein. The information contained in this manual is subject to change without notice.

**CONTENTS**

**SAFETY FOR LIFE**

Safety information ..... **iv**

**PRODUCT INFORMATION**

Introduction ..... **1**  
Quality standards ..... **1**  
Acceptance and initial inspection ..... **1**  
Handling and storage ..... **1**  
Description ..... **1**

**ASSEMBLY INSTRUCTIONS** ..... **3**

**INSTALLATION INSTRUCTIONS** ..... **3**



## Safety for life



Eaton meets or exceeds all applicable industry standards relating to product safety in its Cooper Power™ series products. We actively promote safe practices in the use and maintenance of our products through our service literature, instructional training programs, and the continuous efforts of all Eaton employees involved in product design, manufacture, marketing, and service.

We strongly urge that you always follow all locally approved safety procedures and safety instructions when working around high voltage lines and equipment, and support our “Safety For Life” mission.

### Safety information

The instructions in this manual are not intended as a substitute for proper training or adequate experience in the safe operation of the equipment described. Only competent technicians who are familiar with this equipment should install, operate, and service it.

A competent technician has these qualifications:

- Is thoroughly familiar with these instructions.
- Is trained in industry-accepted high and low-voltage safe operating practices and procedures.
- Is trained and authorized to energize, de-energize, clear, and ground power distribution equipment.
- Is trained in the care and use of protective equipment such as arc flash clothing, safety glasses, face shield, hard hat, rubber gloves, clampstick, hotstick, etc.

Following is important safety information. For safe installation and operation of this equipment, be sure to read and understand all cautions and warnings.

### Hazard Statement Definitions

This manual may contain four types of hazard statements:

#### DANGER

Indicates an imminently hazardous situation which, if not avoided, will result in death or serious injury.

#### WARNING

Indicates a potentially hazardous situation which, if not avoided, could result in death or serious injury.

#### CAUTION

Indicates a potentially hazardous situation which, if not avoided, may result in minor or moderate injury.

#### CAUTION

Indicates a potentially hazardous situation which, if not avoided, may result in equipment damage only.

### Safety instructions

Following are general caution and warning statements that apply to this equipment. Additional statements, related to specific tasks and procedures, are located throughout the manual.

#### DANGER

**Hazardous voltage. Contact with hazardous voltage will cause death or severe personal injury. Follow all locally approved safety procedures when working around high- and low-voltage lines and equipment.**

G103.3

#### WARNING

**Before installing, operating, maintaining, or testing this equipment, carefully read and understand the contents of this manual. Improper operation, handling or maintenance can result in death, severe personal injury, and equipment damage.**

G101.0

#### WARNING

**This equipment is not intended to protect human life. Follow all locally approved procedures and safety practices when installing or operating this equipment. Failure to comply can result in death, severe personal injury and equipment damage.**

G102.1

#### WARNING

**Power distribution and transmission equipment must be properly selected for the intended application. It must be installed and serviced by competent personnel who have been trained and understand proper safety procedures. These instructions are written for such personnel and are not a substitute for adequate training and experience in safety procedures. Failure to properly select, install or maintain power distribution and transmission equipment can result in death, severe personal injury, and equipment damage.**

G122.3

## Product information

### Introduction

*Service Information MN280040EN* provides assembly and installation instructions for Eaton's Cooper Power™ series broadside pole-mounting hanger KA116H3.

This mounting hanger is available for Eaton's Cooper Power series Type VR, VCR, and VLR switches; GN3, GN3E, and GV sectionalizers; and 6H and V6H reclosers.

### Read this manual first

Read and understand the contents of this manual and follow all locally approved procedures and safety practices before installing or operating this equipment.

### Additional information

These instructions cannot cover all details or variations in the equipment, procedures, or process described, nor provide directions for meeting every possible contingency during installation, operation, or maintenance. When additional information is desired to satisfy a problem not covered sufficiently for the user's purpose, contact your Eaton representative.

### Quality standards

ISO 9001 Certified Quality Management System

### Acceptance and initial inspection

Each pole-mounting hanger is in good condition at the factory and when accepted by the carrier for shipment.

Upon receipt, inspect the carton for signs of damage. Unpack the pole-mounting hanger and inspect it thoroughly for damage incurred during shipment. If damage is discovered, file a claim with the carrier immediately.

### Handling and storage

Be careful during handling and storage of the pole-mounting hanger to minimize the possibility of damage. If the pole-mounting hanger is to be stored for any length of time prior to installation, provide a clean, dry storage area.

### Description

A KA116H3 in-line broad-side pole-mounting hanger is intended for pole-mounting Type VR, VCR, and VLR switches; GN3, GN3E, and GV sectionalizers; and 6H and V6H reclosers.

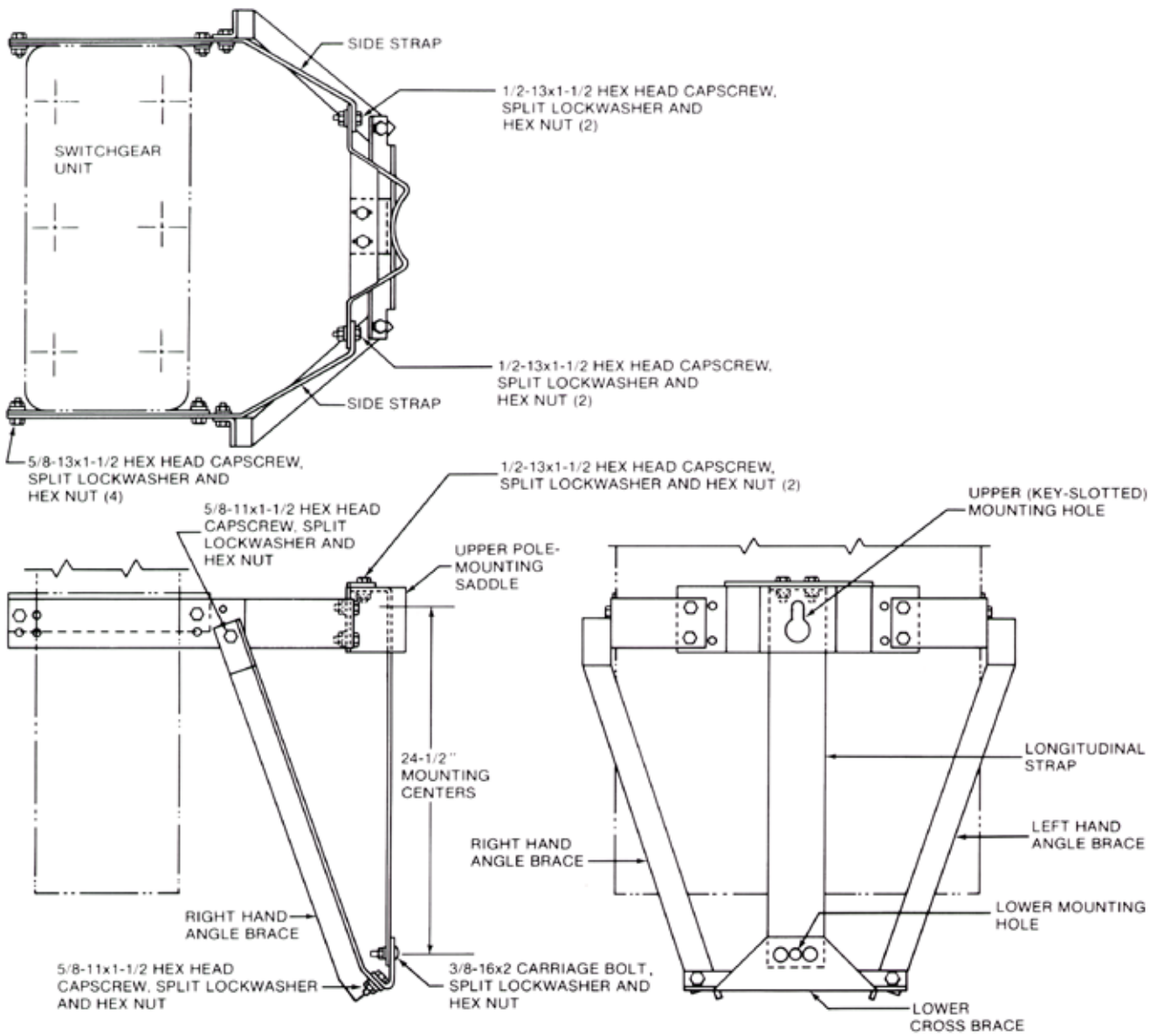


Figure 1. KA116H3 pole-mounting hanger parts and assembly.

## Assembly instructions

The KA116H3 pole-mounting hanger is shipped disassembled. To assemble the hanger, refer to Figure 1 and proceed as follows:

1. Attach the upper end of the longitudinal strap to the underside of the pole-mounting saddle with two 1/2-13x1-1/2 hex head capscrews, split lockwashers, and hex nuts.

Make sure the keyhole slot is aligned per Figure 1.

2. Attach the lower cross brace to the backside of the lower end of the longitudinal strap with two 3/8-16x2 carriage bolts, split lockwashers, and hex nuts.
3. Attach a side strap to either end of the pole-mounting saddle using two 1/2-13x1-1/2 hex head capscrews, split lockwashers, and hex nuts for each strap.
4. Install the right-hand and left-hand angle braces between the side straps and the lower cross brace. Use 5/8-11x1-1/2 hex head capscrews, split lockwashers, and hex nuts to attach the angle braces.
5. Attach the assembled hanger to the switchgear unit with four 5/8-11x1-1/2 hex head capscrews, split lockwashers, and hex nuts.

## Installation instructions

The hanger is mounted to the pole on 24-1/2 inch centers. The upper keyslotted mounting hole allows for some variation in the mounting centers dimension.

---

### CAUTION

---

**Falling equipment. Use the lifting lugs provided and follow all locally approved safety practices when lifting and mounting the equipment. Lift the unit smoothly and do not allow the load to shift. Improper lifting can result in severe personal injury, death, and/or equipment damage.**

G106.3

- 
1. Lift the entire assembly. Follow all approved safety practices when making hitches and lifting the equipment. Lift the unit smoothly and do not allow the unit to shift.
  2. Attach the frame to the pole with customer-supplied 3/4-inch pole-mounting hardware.



**Eaton**  
1000 Eaton Boulevard  
Cleveland, OH 44122  
United States  
Eaton.com

**Eaton's Cooper Power Systems  
Division**  
2300 Badger Drive  
Waukesha, WI 53188  
United States  
Eaton.com/cooperpowerseries

**EATON**  
*Powering Business Worldwide*

© 2016 Eaton  
All Rights Reserved  
Printed in USA  
Publication No. MN280040EN  
KA2048-149 Rev: 02

Eaton is a registered trademark.

All trademarks are property  
of their respective owners.

For Eaton's Cooper Power series product  
information call 1-877-277-4636 or visit:  
[www.eaton.com/cooperpowerseries](http://www.eaton.com/cooperpowerseries).