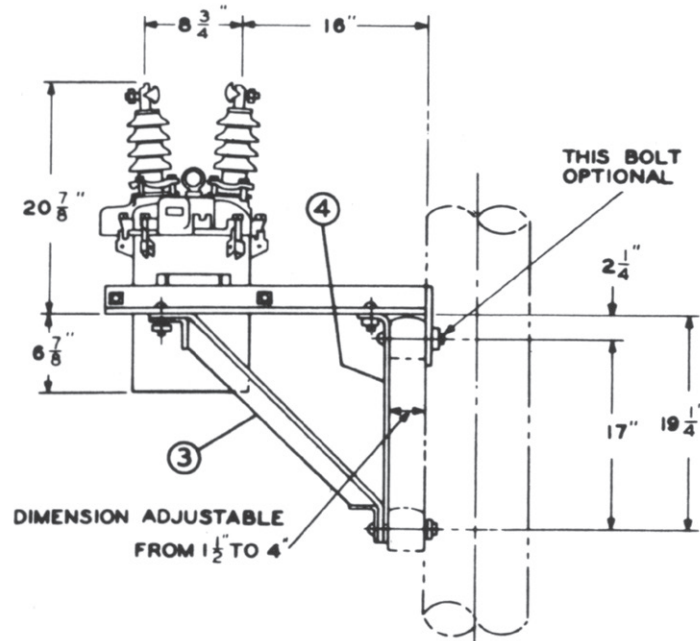
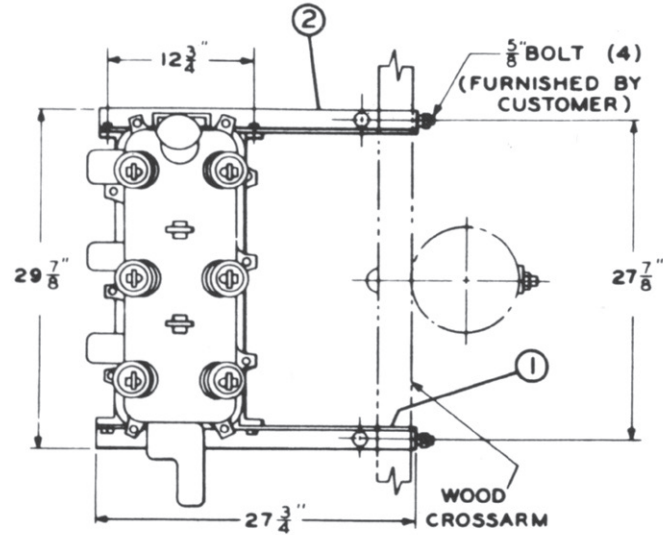


Mounting bracket KA19H3 assembly and installation instructions



DISCLAIMER OF WARRANTIES AND LIMITATION OF LIABILITY

The information, recommendations, descriptions and safety notations in this document are based on Eaton Corporation's ("Eaton") experience and judgment and may not cover all contingencies. If further information is required, an Eaton sales office should be consulted. Sale of the product shown in this literature is subject to the terms and conditions outlined in appropriate Eaton selling policies or other contractual agreement between Eaton and the purchaser.

THERE ARE NO UNDERSTANDINGS, AGREEMENTS, WARRANTIES, EXPRESSED OR IMPLIED, INCLUDING WARRANTIES OF FITNESS FOR A PARTICULAR PURPOSE OR MERCHANTABILITY, OTHER THAN THOSE SPECIFICALLY SET OUT IN ANY EXISTING CONTRACT BETWEEN THE PARTIES. ANY SUCH CONTRACT STATES THE ENTIRE OBLIGATION OF EATON. THE CONTENTS OF THIS DOCUMENT SHALL NOT BECOME PART OF OR MODIFY ANY CONTRACT BETWEEN THE PARTIES.

In no event will Eaton be responsible to the purchaser or user in contract, in tort (including negligence), strict liability or otherwise for any special, indirect, incidental or consequential damage or loss whatsoever, including but not limited to damage or loss of use of equipment, plant or power system, cost of capital, loss of power, additional expenses in the use of existing power facilities, or claims against the purchaser or user by its customers resulting from the use of the information, recommendations and descriptions contained herein. The information contained in this manual is subject to change without notice.

Contents

DISCLAIMER OF WARRANTIES AND LIMITATION OF LIABILITY I

SAFETY FOR LIFE III

SAFETY INFORMATION III

 Safety instructions iii

PRODUCT INFORMATION 1

 Introduction 1

 Read this manual first 1

 Additional information 1

 Acceptance and initial inspection 1

 Handling and storage 1

 ANSI standards 1

 Quality standards 1

 Description 1

ASSEMBLY AND INSTALLATION 1



Safety for life



Eaton meets or exceeds all applicable industry standards relating to product safety in its Cooper Power™ series products. We actively promote safe practices in the use and maintenance of our products through our service literature, instructional training programs, and the continuous efforts of all Eaton employees involved in product design, manufacture, marketing, and service.

We strongly urge that you always follow all locally approved safety procedures and safety instructions when working around high voltage lines and equipment, and support our “Safety For Life” mission.

Safety information

The instructions in this manual are not intended as a substitute for proper training or adequate experience in the safe operation of the equipment described. Only competent technicians who are familiar with this equipment should install, operate, and service it.

A competent technician has these qualifications:

- Is thoroughly familiar with these instructions.
- Is trained in industry-accepted high and low-voltage safe operating practices and procedures.
- Is trained and authorized to energize, de-energize, clear, and ground power distribution equipment.
- Is trained in the care and use of protective equipment such as arc flash clothing, safety glasses, face shield, hard hat, rubber gloves, clampstick, hotstick, etc.

Following is important safety information. For safe installation and operation of this equipment, be sure to read and understand all cautions and warnings.

Hazard Statement Definitions

This manual may contain four types of hazard statements:

DANGER

Indicates an imminently hazardous situation which, if not avoided, will result in death or serious injury.

WARNING

Indicates a potentially hazardous situation which, if not avoided, could result in death or serious injury.

CAUTION

Indicates a potentially hazardous situation which, if not avoided, may result in minor or moderate injury.

CAUTION

Indicates a potentially hazardous situation which, if not avoided, may result in equipment damage only.

Safety instructions

Following are general caution and warning statements that apply to this equipment. Additional statements, related to specific tasks and procedures, are located throughout the manual.

DANGER

Hazardous voltage. Contact with hazardous voltage will cause death or severe personal injury. Follow all locally approved safety procedures when working around high- and low-voltage lines and equipment.

G103.3

WARNING

Before installing, operating, maintaining, or testing this equipment, carefully read and understand the contents of this manual. Improper operation, handling or maintenance can result in death, severe personal injury, and equipment damage.

G101.0

WARNING

This equipment is not intended to protect human life. Follow all locally approved procedures and safety practices when installing or operating this equipment. Failure to comply can result in death, severe personal injury and equipment damage.

G102.1

WARNING

Power distribution and transmission equipment must be properly selected for the intended application. It must be installed and serviced by competent personnel who have been trained and understand proper safety procedures. These instructions are written for such personnel and are not a substitute for adequate training and experience in safety procedures. Failure to properly select, install or maintain power distribution and transmission equipment can result in death, severe personal injury, and equipment damage.

G122.3

Product information

Introduction

Service Information MN280072EN provides assembly and installation instructions for mounting bracket KA19H3. This mounting bracket is available for Eaton Cooper Power series Types 6H and V6H reclosers; GN3, GN3V, GN3E, and GN3VE sectionalizers; and VR, VCR, and VLR switches.

Read this manual first

Read and understand the contents of this manual and follow all locally approved procedures and safety practices before installing or operating this equipment.

Additional information

These instructions cannot cover all details or variations in the equipment, procedures, or process described, nor provide directions for meeting every possible contingency during installation, operation, or maintenance. When additional information is desired to satisfy a problem not covered sufficiently for the user's purpose, contact your Eaton representative.

Acceptance and initial inspection

Each mounting bracket is in good condition at the factory and when accepted by the carrier for shipment.

Upon receipt, inspect the carton for signs of damage. Unpack the mounting bracket and inspect it thoroughly for damage incurred during shipment. If damage is discovered, file a claim with the carrier immediately.

Handling and storage

Be careful during handling and storage of the mounting bracket to minimize the possibility of damage. If the mounting bracket is to be stored for any length of time prior to installation, provide a clean, dry storage area.

ANSI standards

Eaton Cooper Power series reclosers are designed and tested in accordance with ANSI standards C37.60 and C37.85 and ANSI guideline C37.61.

Quality standards

ISO 9001-certified quality management system

Description

A KA19H3 mounting bracket is intended for mounting the following Eaton Cooper Power series switchgear on crossarms or substation channels:

- Types 6H and V6H reclosers
- Types GN3, GN3V, GN3E, and GN3VE sectionalizers
- Types VR, VCR, and VLR switches

Assembly and installation

WARNING

Falling equipment. Use the lifting lugs provided and follow all locally approved safety practices when lifting and mounting the equipment. Lift the unit smoothly and do not allow the unit to shift. Improper lifting can result in severe personal injury, death, and/or equipment damage.

G106.3

Refer to Table 1 for KA19H3 assembly parts list and proceed as follows.

1. Dismantle the banded shipping assembly.
2. Assemble and mount as illustrated.

Note: Figures 1 and 2 specifically illustrate the mounting of a Type GN3 sectionalizer. Except for the equipment dimensions, the assembly and use of the mounting bracket is the same for all switchgear referred to in the **Product Information** section of this manual.

Table 1. KA19H3 assembly parts list

Ref. No.	Quantity	Description
1	1	Mounting assembly, right
2	1	Mounting assembly, left
3	2	Mounting brace
4	2	Vertical brace
5	4	Machine bolt, 5/8-11 x 1 1/4" hex head
6	8	Lockwasher, 5/8" medium
7	8	Nut, 5/8-11, hex
8	2	Washer, 7/8" plain
9	4	Carriage bolt, 5/8-11x1 1/2"

Mounting bracket KA19H3 assembly and installation instructions

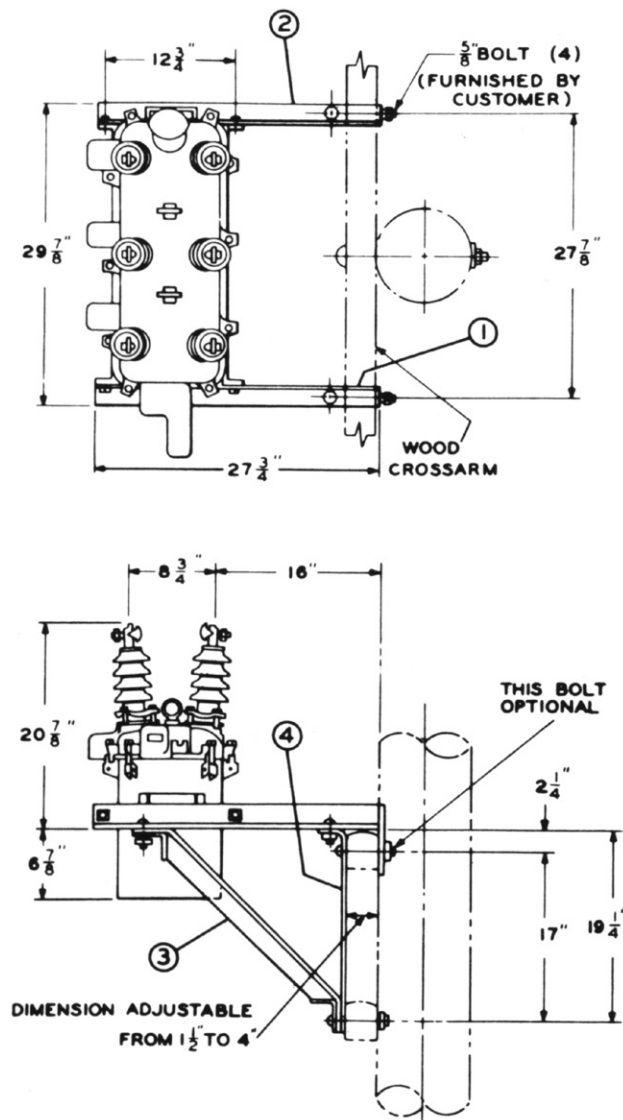


Figure 1. Crossarm mounting

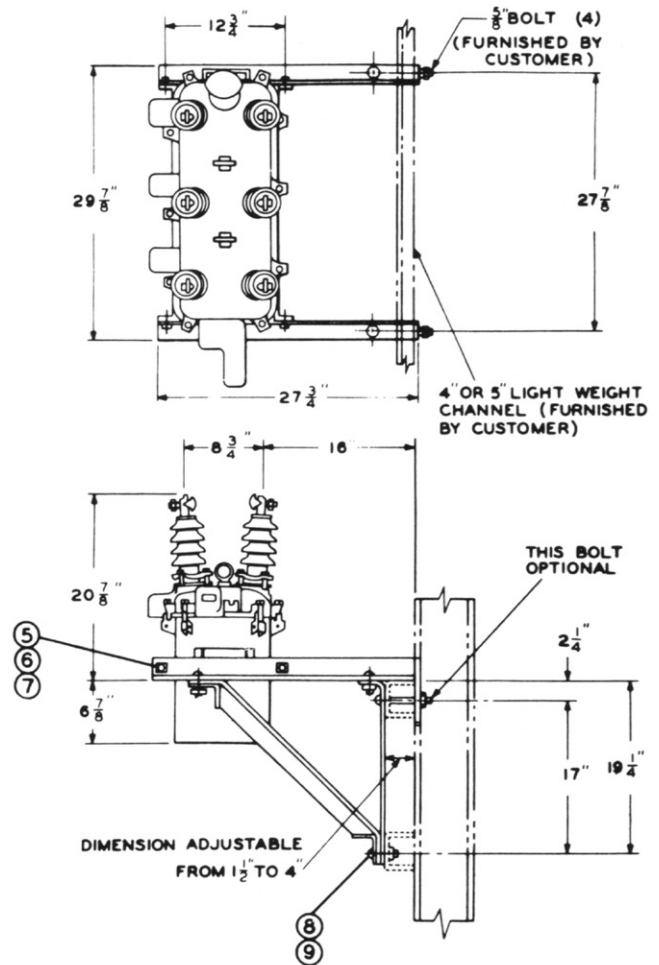


Figure 2. Substation mounting

Mounting bracket KA19H3 assembly and installation instructions

This page intentionally left blank.



Eaton
1000 Eaton Boulevard
Cleveland, OH 44122
United States
Eaton.com

Eaton's Power Systems Division
2300 Badger Drive
Waukesha, WI 53188
United States
Eaton.com/cooperpowerseries

© 2017 Eaton
All Rights Reserved
Printed in USA
Publication No. MN280072EN
May 2017
KA2048-038 REV 02

Eaton is a registered trademark.

All trademarks are property
of their respective owners.

For Eaton's Cooper Power series product
information
call 1-877-277-4636 or visit:
www.eaton.com/cooperpowerseries.