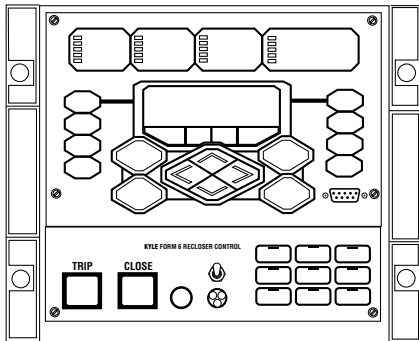
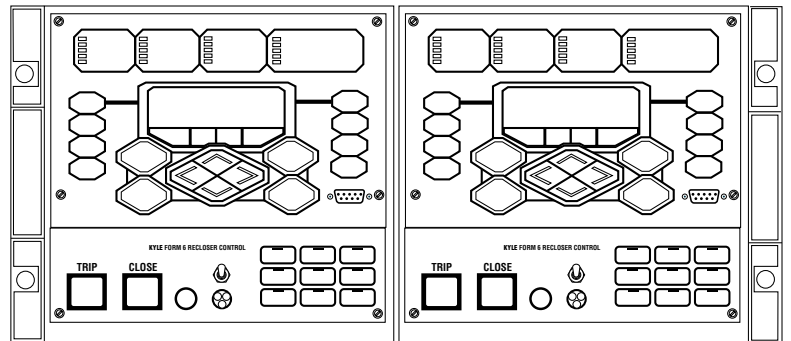


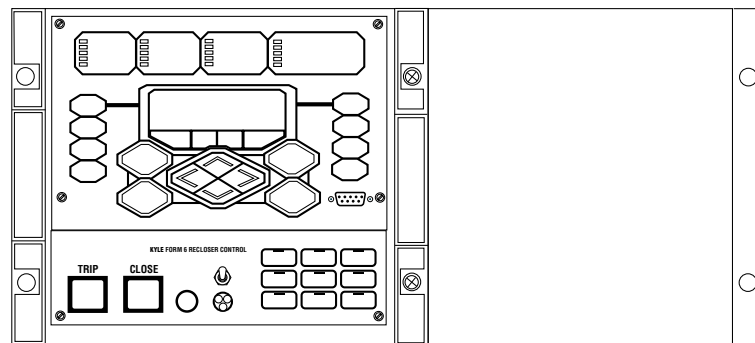
Form 6 rack mount recloser control KME6-1802, KME6-1803, KME6-1804 mounting kits installation instructions



KME6-1802 Single Rack Mount



KME6-1803 Double Rack Mount



KME6-1804 Single Rack Mount with Filler Plate

Figure 1. Form 6 Rack-Mount Recloser Control Mounting Kits KME6-1802, KME6-1803, and KME6-1804. (Control not included with kit.)

DISCLAIMER OF WARRANTIES AND LIMITATION OF LIABILITY

The information, recommendations, descriptions and safety notations in this document are based on Eaton Corporation's ("Eaton") experience and judgment and may not cover all contingencies. If further information is required, an Eaton sales office should be consulted. Sale of the product shown in this literature is subject to the terms and conditions outlined in appropriate Eaton selling policies or other contractual agreement between Eaton and the purchaser.

THERE ARE NO UNDERSTANDINGS, AGREEMENTS, WARRANTIES, EXPRESSED OR IMPLIED, INCLUDING WARRANTIES OF FITNESS FOR A PARTICULAR PURPOSE OR MERCHANTABILITY, OTHER THAN THOSE SPECIFICALLY SET OUT IN ANY EXISTING CONTRACT BETWEEN THE PARTIES. ANY SUCH CONTRACT STATES THE ENTIRE OBLIGATION OF EATON. THE CONTENTS OF THIS DOCUMENT SHALL NOT BECOME PART OF OR MODIFY ANY CONTRACT BETWEEN THE PARTIES.

In no event will Eaton be responsible to the purchaser or user in contract, in tort (including negligence), strict liability or otherwise for any special, indirect, incidental or consequential damage or loss whatsoever, including but not limited to damage or loss of use of equipment, plant or power system, cost of capital, loss of power, additional expenses in the use of existing power facilities, or claims against the purchaser or user by its customers resulting from the use of the information, recommendations and descriptions contained herein. The information contained in this manual is subject to change without notice.

Contents

DISCLAIMER OF WARRANTIES AND LIMITATION OF LIABILITY I

SAFETY FOR LIFE III

SAFETY INFORMATION III
 Safety instructions iii

PRODUCT INFORMATION 1
 Introduction 1
 Read this manual first 1
 Additional Information 1
 Ansi standards 1
 Quality standards 1
 Acceptance and initial inspection 1
 Handling and storage 1
 Description 1

INSTALLATION 2
 KME6-1802 Form 6 recloser control single rack mount handle attachment instructions 2
 KME6-1803 Form 6 recloser control double rack mount connecting plate and handle attachment instructions 2
 Remove the control from service 3
 Attach control handles 3
 Attach connecting plate 3
 Secure the controls together 3
 Return the control to service 4

KME6-1804 FORM 6 RECLOSER CONTROL DOUBLE RACK—SINGLE MOUNT HANDLE AND FILLER PLATE ATTACHMENT INSTRUCTIONS 4



Safety for life



Eaton meets or exceeds all applicable industry standards relating to product safety in its Cooper Power™ series products. We actively promote safe practices in the use and maintenance of our products through our service literature, instructional training programs, and the continuous efforts of all Eaton employees involved in product design, manufacture, marketing, and service.

We strongly urge that you always follow all locally approved safety procedures and safety instructions when working around high voltage lines and equipment, and support our “Safety For Life” mission.

Safety information

The instructions in this manual are not intended as a substitute for proper training or adequate experience in the safe operation of the equipment described. Only competent technicians who are familiar with this equipment should install, operate, and service it.

A competent technician has these qualifications:

- Is thoroughly familiar with these instructions.
- Is trained in industry-accepted high and low-voltage safe operating practices and procedures.
- Is trained and authorized to energize, de-energize, clear, and ground power distribution equipment.
- Is trained in the care and use of protective equipment such as arc flash clothing, safety glasses, face shield, hard hat, rubber gloves, clampstick, hotstick, etc.

Following is important safety information. For safe installation and operation of this equipment, be sure to read and understand all cautions and warnings.

Hazard Statement Definitions

This manual may contain four types of hazard statements:

DANGER

Indicates an imminently hazardous situation which, if not avoided, will result in death or serious injury.

WARNING

Indicates a potentially hazardous situation which, if not avoided, could result in death or serious injury.

CAUTION

Indicates a potentially hazardous situation which, if not avoided, may result in minor or moderate injury.

CAUTION

Indicates a potentially hazardous situation which, if not avoided, may result in equipment damage only.

Safety instructions

Following are general caution and warning statements that apply to this equipment. Additional statements, related to specific tasks and procedures, are located throughout the manual.

DANGER

Hazardous voltage. Contact with hazardous voltage will cause death or severe personal injury. Follow all locally approved safety procedures when working around high- and low-voltage lines and equipment.

G103.3

WARNING

Before installing, operating, maintaining, or testing this equipment, carefully read and understand the contents of this manual. Improper operation, handling or maintenance can result in death, severe personal injury, and equipment damage.

G101.0

WARNING

This equipment is not intended to protect human life. Follow all locally approved procedures and safety practices when installing or operating this equipment. Failure to comply can result in death, severe personal injury and equipment damage.

G102.1

WARNING

Power distribution and transmission equipment must be properly selected for the intended application. It must be installed and serviced by competent personnel who have been trained and understand proper safety procedures. These instructions are written for such personnel and are not a substitute for adequate training and experience in safety procedures. Failure to properly select, install or maintain power distribution and transmission equipment can result in death, severe personal injury, and equipment damage.

G122.3

Form 6 rack mount recloser control KME6-1802, KME6-1803, KME6-1804 mounting kits installation instructions

Product information

Introduction

Service Information MN280078EN provides installation instructions for the Eaton Cooper Power series Form 6 Recloser Control KME6-1802, KME6-1803, and KME6-1804 Rack Mounting Kits. Refer to *Service Information MN280075EN Form 6 Rack Mount Recloser Control Installation and Operation Instructions* for additional information.

Read this manual first

Read and understand the contents of this manual and follow all locally approved procedures and safety practices before installing or operating this equipment.

Additional Information

These instructions cannot cover all details or variations in the equipment, procedures, or process described, nor provide directions for meeting every possible contingency during installation, operation, or maintenance. For additional information, contact your Eaton representative.

Ansi standards

Eaton Cooper Power series reclosers are designed and tested in accordance with the following ANSI standards: C37.60 and C37.85 and ANSI Guide C37.61.

Quality standards

ISO 9001-Certified Quality Management System

Acceptance and initial inspection

Each Form 6 Recloser Control Rack Mounting Kit is in good condition at the factory and when accepted by the carrier for shipment.

Upon receipt, inspect the carton for signs of damage. Unpack the kit(s) and inspect it thoroughly for damage incurred during shipment. If damage is discovered, file a claim with the carrier immediately.

Handling and storage

Be careful during handling and storage of the kit to minimize the possibility of damage. If the kit is to be stored for any length of time prior to installation, provide a clean, dry storage area.

Description

The Form 6 Rack Mount Recloser Control is designed to be mounted in a standard 19" rack. This Form 6 Recloser Control Rack Mounting Kit includes assembly and installation instructions for these three mounting options:

- Single Rack Mount — KME6-1802 Mounting Kit includes two handles.
- Double Rack Mount — KME6-1803 Mounting Kit includes two handles and one connecting plate.
- Single Mount with Filler Plate — KME6-1804 Mounting Kit includes two handles and one filler plate.

For additional information on installing the control, removing the control from service, and control testing procedures, refer to *Service Information MN280075EN Form 6 Rack Mount Recloser Control Installation and Operation Instructions*.

Installation

KME6-1802 Form 6 recloser control single rack mount handle attachment instructions

These instructions apply to the attachment of the handles to the Form 6 Single Rack Mount Recloser Control (Figure 2). Follow this procedure to attach the handles to both sides of one control.

Table 1. Form 6 Recloser Control Single Rack Mount Handle Attachment Parts List (Refer to Figure 2.)

Item	Description	Part Number	Quantity
1	Form 6 Control	(for reference)	1
2	Form 6 Handle	6A00163901	2
3	#10-32 Fl Hd Screw	722915310050A	6

CAUTION

Recloser misoperation. The control must be removed from service prior to performing any maintenance, testing, or programming changes. Failure to comply can result in misoperation (unintentional operation) of the recloser.

T216.2

1. Remove the Form 6 Recloser Control from service. Refer to *Service Information MN280075EN Form 6 Rack Mount Recloser Control Installation and Operation Instructions* for the procedure **Remove the Control from Service**.
2. Carefully transport the recloser control to a suitable service facility.

Note: The entire kit assembly/installation process should be conducted in a clean environment, such as a repair shop.

3. Orient the handles as illustrated in Figure 2
4. Attach the two handles (Item 2) to the control using six #10-32 Flat Head Screws (Item 3).

Note: Three screws will be used for each handle.

5. Tighten all hardware completely. Do not torque.



CAUTION

Equipment misoperation. Do not energize this equipment until all control settings have been properly programmed and verified. Refer to the electronic control installation manual for programming procedures. Failure to comply can result in misoperation (unintended operation), equipment damage, and personal injury.

G119.2

6. Return the Form 6 Recloser Control to service. Refer to *Service Information MN280075EN Form 6 Rack Mount Recloser Control Installation and Operation Instructions* for the procedure **Return the Control to Service**.

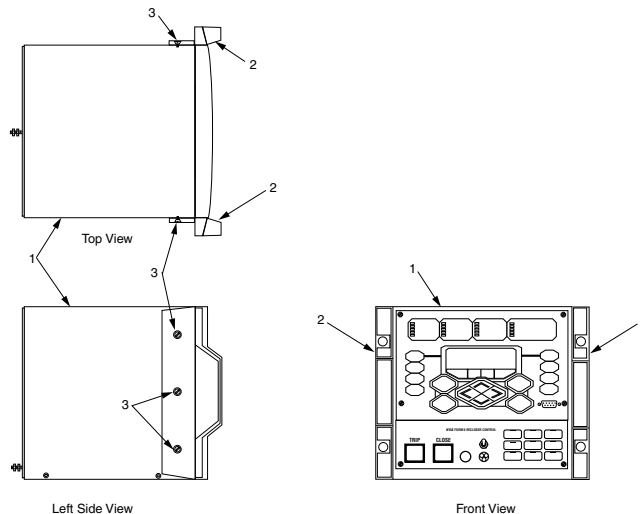


Figure 2. KME6-1802 Single Rack Mount Handle Attachment

KME6-1803 Form 6 recloser control double rack mount connecting plate and handle attachment instructions

These instructions apply to the attachment of the handles and connecting plate to two Form 6 Recloser Controls mounted side-by-side in a standard 19" rack (Figure 3). Follow these procedures to attach the handles and connecting plate.

Table 2. KME6-1803 Form 6 Recloser Control Double Rack Mount Attachment Parts List (Refer to Figure 3.)

Item	Description	Part number	Quantity
1	Form 6 Control	(for reference)	2
2	Form 6 Handle	6A00163901	2
3	#10-32 Fl Hd Screw	722915310050A	6
4	Connecting Plate	6A00169501	1
5	#10-24 Screw	813315110100A	2

CAUTION

Recloser misoperation. The control must be removed from service prior to performing any maintenance, testing, or programming changes. Failure to comply can result in misoperation (unintentional operation) of the recloser.

T216.2

Remove the control from service

1. Remove the Form 6 Recloser Control from service. Refer to *Service Information MN280075EN Form 6 Rack Mount Recloser Control Installation and Operation Instructions* for the procedure **Remove the Control from Service**.
2. Carefully transport the recloser control to a suitable service facility.

Note: The entire kit assembly/installation process should be conducted in a clean environment, such as a repair shop.

CAUTION

Control damage. De-energize both ac and dc power prior to removing or installing any internal connections or circuit boards in the control. Failure to comply can result in damage to the control.

T241.1

Attach control handles

1. Orient the handles and controls as illustrated in the Front View in Figure 3.
2. Attach one handle (Item 2) to each control (Item 1) using three #10-32 Flat Head Screws (Item 3) per handle as illustrated in Figure 3.
3. Completely tighten hardware. Do not torque.

Attach connecting plate

1. Remove the two middle screws from the back of each control with a Phillips head screwdriver as illustrated in Figure 3.
2. Place the connecting plate over the screw holes in the controls.
3. Secure the connecting plate with the previously removed screws.
4. Completely tighten hardware. Do not torque.

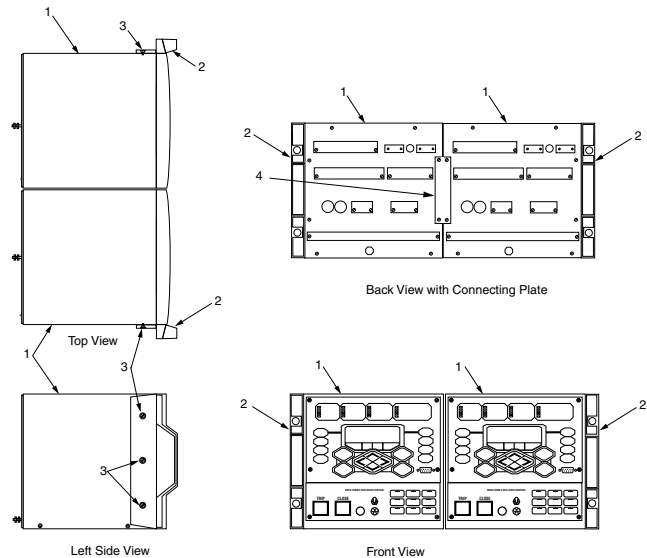


Figure 3. Form 6 Double Rack Mount Connecting Plate and Handle Attachment

CAUTION

Equipment damage. Always wear a grounding wrist strap to control static electricity before handling circuit boards. Failure to use this strap may result in circuit board damage.

T253.1

Secure the controls together

Connecting two Form 6 Rack Mount recloser controls requires removing the front panel from the control (right-side) as shown in the Figure 4.

1. Unscrew the six screws from the control front panel until they detach from the control box.
2. Pull the right side of the right control front panel out towards the left (Figure 4).

Note: Various connecting wires will keep the panel attached to the control (Figure 4). It is not necessary to disconnect any wires.

3. Use a long flathead screwdriver to screw each #10-24 screw (Item 5, Table 2) right to left into the pre-threaded holes (Figure 4).

Note: It is not necessary to remove the front cover panel of the left control.

4. Tighten screws completely (Figure 4).
5. Gently place the front cover panel back onto the control.
6. Re-screw the screws back into the right control front panel and tighten all hardware completely. Do not torque.

CAUTION

Equipment misoperation. Do not energize this equipment until all control settings have been properly programmed and verified. Refer to the electronic control installation manual for programming procedures. Failure to comply can result in misoperation (unintended operation), equipment damage, and personal injury. G119.2

Return the control to service

1. Return the Form 6 Recloser Control to service. Refer to *Service Information MN280075EN Form 6 Rack Mount Recloser Control Installation and Operation Instructions* for the procedure **Return the Control to Service**.

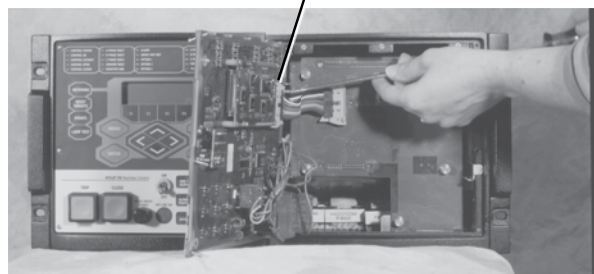
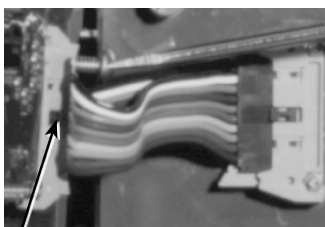


Figure 4. Connect two Form 6 Recloser Controls with #10-24 screws for installation in a standard 19" rack

KME6-1804 Form 6 recloser control double rack—single mount handle and filler plate attachment instructions

These instructions apply to the attachment of two handles and one filler plate to one Form 6 Recloser Control prior to mounting it in a standard 19" rack (Figure 5).

The control is shipped without the handles or filler plate attached. Follow this procedure to attach the handles to both sides and the filler plate to one side.

Note: The filler plate can be mounted on either side of the control.

Note: This procedure is required prior to mounting one Form 6 Recloser Control in a standard 19" rack.

Table 3. KME6-1804 Form 6 Recloser Control Single Rack Mount Handle and Filler Plate Attachment Parts List (Refer to Figure 5.)

Item	Description	Part Number	Quantity
1	Form 6 Control	(for reference)	1
2	Filler Plate	6A00166801	1
3	Form 6 Handle	6A00163901	2
4	#10-32 Fl Hd Screw	722915310050A	3
5	#10-32 Pan Hd Screw	723315310050A	5

CAUTION

Recloser misoperation. The control must be removed from service prior to performing any maintenance, testing, or programming changes. Failure to comply can result in misoperation (unintentional operation) of the recloser. T216.2

1. Remove the Form 6 Recloser Control from service. Refer to *Service Information MN280075EN Form 6 Rack Mount Recloser Control Installation and Operation Instructions* for the procedure **Remove the Control from Service**.

2. Carefully transport the recloser control to a suitable service facility.

Note: The entire kit assembly/installation process should be conducted in a clean environment, such as a repair shop.

3. Orient the handles as illustrated in the left side view in Figure 5.
4. Attach one handle (Item 3) with three #10-32 Flat Head Screws (Item 4) to the side of the control the filler plate is not going to be mounted to.
5. Tighten hardware completely. Do not torque.
6. Align the holes in the other handle over the pre-drilled holes on the side of the control.
7. Align the filler plate over the handle holes.
8. Attach the handle (Item 3) and filler plate (Item 2) to the control using five #10-32 Pan Head Screws (Item 5) (Figure 5).
9. Tighten all hardware completely. Do not torque.

CAUTION

Equipment misoperation. Do not energize this equipment until all control settings have been properly programmed and verified. Refer to the electronic control installation manual for programming procedures. Failure to comply can result in misoperation (unintended operation), equipment damage, and personal injury.

G119.2

- Return the Form 6 Recloser Control to service. Refer to *Service Information MN280075EN Form 6 Rack Mount Recloser Control Installation and Operation Instructions* for the procedure **Return the Control to Service**.

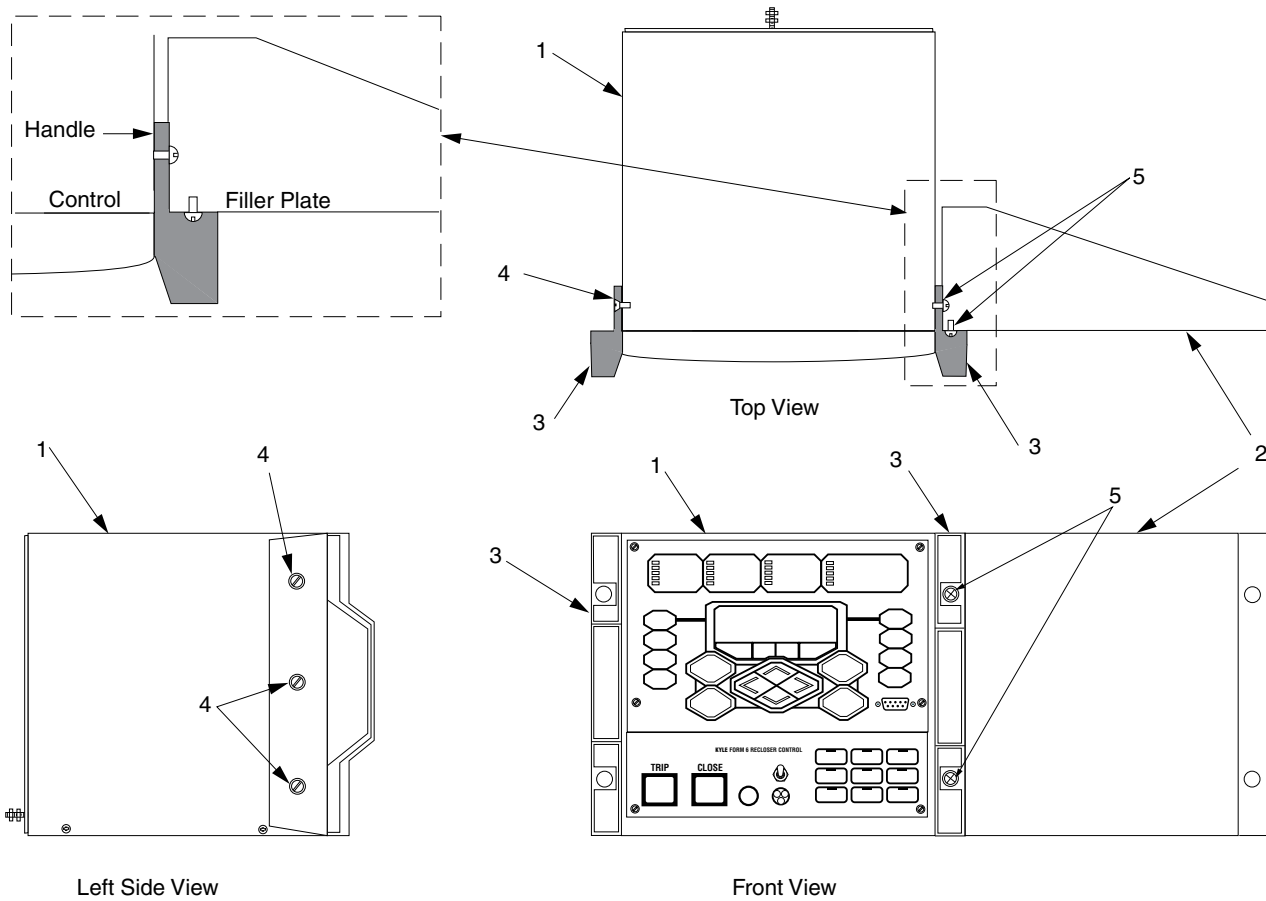


Figure 5. Form 6 Recloser Control Double Rack—Single Mount Handle and Filler Plate Attachment

This page intentionally left blank.

This page intentionally left blank.



Eaton
1000 Eaton Boulevard
Cleveland, OH 44122
United States
Eaton.com

Eaton's Power Systems Division
2300 Badger Drive
Waukesha, WI 53188
United States
Eaton.com/cooperpowerseries

© 2017 Eaton
All Rights Reserved
Printed in USA
Publication No. MN280078EN
KA2048-516 REV 02
May 2017

Eaton is a registered trademark.

All trademarks are property
of their respective owners.

For Eaton's Cooper Power series product
information
call 1-877-277-4636 or visit:
www.eaton.com/cooperpowerseries.