

Classic Ampgard remote operator



For customers seeking to remain outside the arc flash protection boundary when operating an isolation switch, Eaton is pleased to introduce the Classic Remote Operator (CRO).

Available as an option for Classic Ampgard® medium voltage motor starters, the CRO enables users to open or close the motor starter's isolation switch through the use of a pendant pushbutton station operated up to 30 feet away. Users can mount the CRO on the front of the starter, plug it into any available 120 Vac source, then operate the isolation switch from outside the arc flash boundary.

Features

- Can be retrofitted to existing classic Ampgard starters
- The mounting bracket can be easily mounted to the existing Classic isolation switch using existing threaded holes
- The CRO simply slides onto three studs mounted on the isolation switch. Once mounted, the CRO handle mechanism is connected to the operating handle of the isolation switch
- The pendant pushbutton station and its 30-foot umbilical cord can be removed from the CRO assembly for ease of transportation or storage
- An intelligent relay senses the CRO condition and alerts the operator with a blinking light if the switch fails to fully open or close
- Handles are installed on the CRO for ease of carrying and mounting

Benefits

- Users are able to open or close the isolation switch from a distance of up to 30 feet from the equipment
- All of the starter's standard mechanical interlocks remain operational with the CRO—the starter door cannot be opened with the switch closed, and the main contactor must be open before the CRO can open or close the switch
- One CRO can be used for an entire lineup of ampgard starters

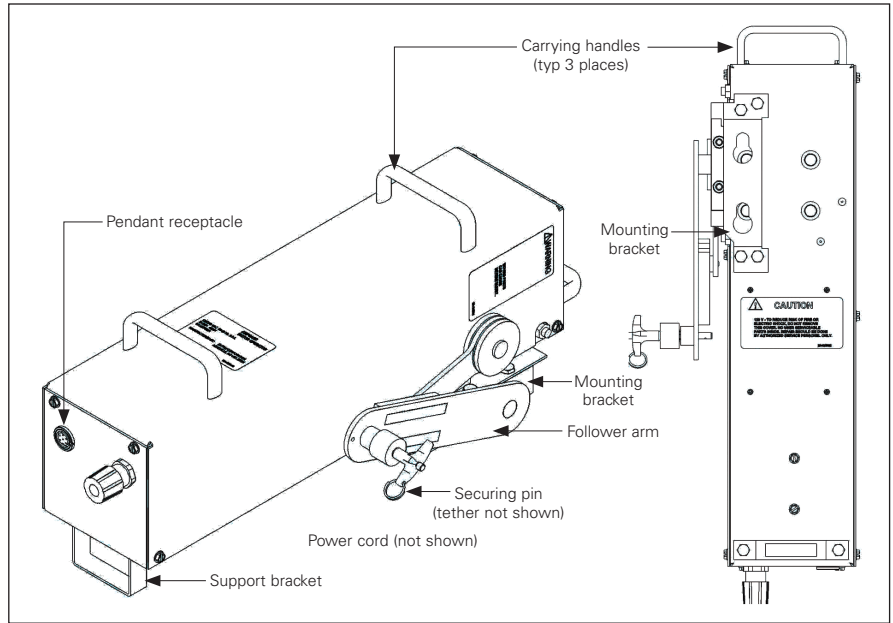


Powering Business Worldwide

Remote operator specifications

Description	Specification
Power requirements	120 Vac, 50 Hz or 60 Hz
Power consumption	250 watts
Dimensions	
Height	8.6 inches
Width	7.9 inches
Depth	21.3 inches
Weight	29 pounds
Mechanical life	10,000 operations

Description	Part number
Isolation switch mounting kit	87C1120G03
CRO with pendant station	87C1120G11



The remote operator



Eaton
 1000 Eaton Boulevard
 Cleveland, OH 44122
 United States
 Eaton.com

© 2021 Eaton
 All Rights Reserved
 Printed in USA
 Publication No. PA02003004E / Z25307
 July 2021

Eaton is a registered trademark.
 All other trademarks are property
 of their respective owners.

Follow us on social media to get the
 latest product and support information.

