

Classic Ampgard renewal parts catalog

Contents

Description	Page
General information	2
Overview	2
Ordering instructions	4
Additional service	5
Contactors	5
Contactors	5
Contactors	5
Contactor replacements and renewal parts	6
SJ 400 A full contactor replacement—complete contactors	6
SJ 400 A renewal parts	7
SL 400 A renewal parts	10
SJ 800 A full contactor replacement—complete contactors	13
SJ 800 A renewal parts	14
SL 800 A renewal parts	16
SJ 400 and 800 A common components and renewal parts	18
SL 400 and 800 A common components and renewal parts	21
Isolation switch replacement and renewal parts	23
Complete isolation switch, 7200 V	23
400 A isolation switch renewal parts	24
800 A isolation switch renewal parts	25
Load break switch (LBS)	27
Reduced voltage solid-state starters (RVSS)	28
Assembly and structural components	28
Clip-in fuses	31



Powering Business Worldwide

General information

Overview

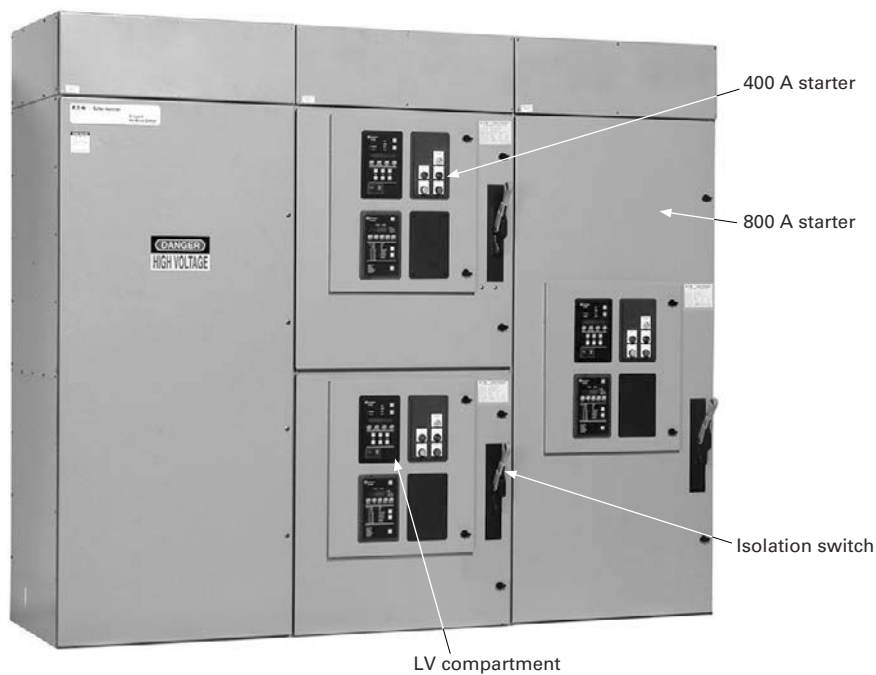
Eaton/Cutler-Hammer acquired the Westinghouse Ampgard® Product Line in 1994. For information regarding the current generation of Eaton Ampgard starters, refer to renewal parts catalog TD020001EN, contact your local Eaton representative, or contact the factory. Style numbers identified in this brochure may not be the same as Style numbers on the original equipment. Renewal part styles in this brochure are in kit form and may include subassembly, carton, installation instructions, etc.

The present design of Ampgard medium-voltage starters was introduced in 2005. Additional ratings and features have been continuously introduced over the years. Units manufactured between 1962 and 2005 are now referred to as "Classic Ampgard." Units manufactured after 2005 are referred to as current generation Ampgard starters. **Figure 1** and **Figure 2** show differences between the classic and current generation Ampgard starters. Key differences in appearance include the placement of the isolation switch, and the location of the low-voltage compartment door. Ampgard may be branded as Westinghouse, Cutler-Hammer series, and now Eaton. This renewal parts guide covers Classic Ampgard.

Figure 1. Classic Ampgard (Introduced 1962; covered in this guide)



Figure 2. Current Ampgard (Introduced 2005)



Ordering instructions

- Specify by Style number.
- Refer to Vista for pricing information.
- For equipment other than 60 Hz, refer to factory for information.

Price and availability of parts not listed may be obtained by contacting your local Eaton representative. Provide a complete description of the part, along with the complete data on the starter nameplate that is found in the low-voltage area. Be sure to include: General Order Number, ratings, and diagram reference.

To find your general order number (GO number)

Your GO Number will typically be a series of 2–4 letters, followed by between 8 and 6 numbers.

Examples: MHU000567, SLA0000321

For starters made prior to 1982:

GO Number will most likely be located on a metal-engraved nameplate on the inside of the low-voltage compartment door.

For starters made after 1982:

GO Number will most likely be located on the nameplate on the front of the cabinet.

For all units, the renewal parts label will most likely be found on the inside of the medium-voltage compartment door.

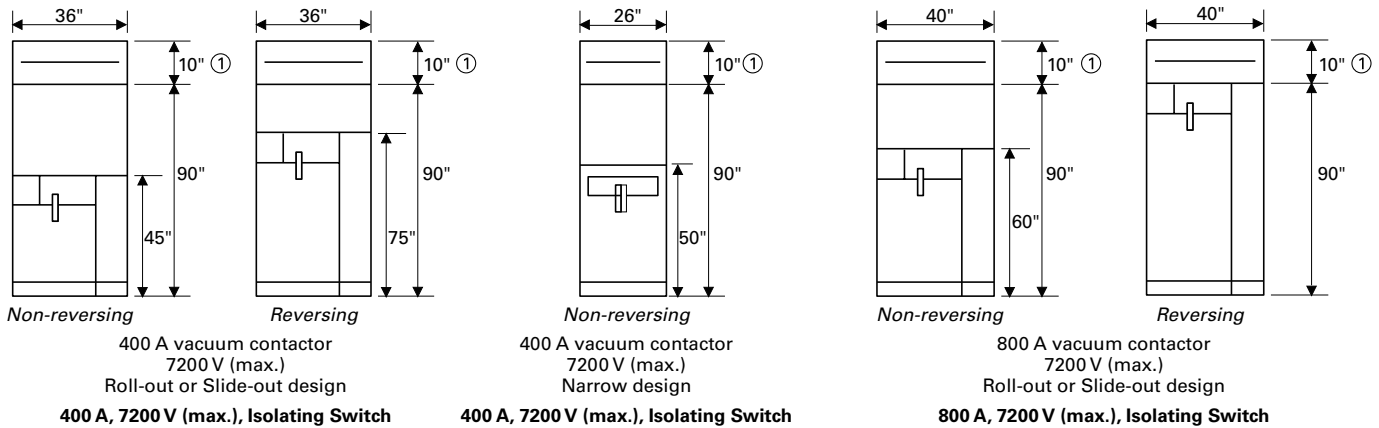
Procedure for identifying renewal parts

1. Determine the ampere rating of your starter by measuring the width of the structure.
2. Determine if it is non-reversing or reversing by measuring the height of the starter cubicle portion of the Ampgard structure.
3. Examples:
36 inch width is 400 A rated.
40 inch width is 800 A rated.
45 inch height is 400 A non-reversing starter.
75 inch height is 400 A reversing starter.
60 inch height is 800 A non-reversing starter.
90 inch height is 800 A reversing starter.
Roll-out design is contactor with wheels.
Slide-out design is contactor without wheels.
4. Determine primary voltage; 2300, 4160, etc. This information is on the starter nameplate in the low-voltage area.
5. Now that you have identified the design of your complete contactor, determine from the photographs which parts are required and identify them by Style number.

General order number

Or, you can find your general order number and refer to the factory for assistance in identifying the correct replacement Style numbers.

Figure 3. NEMA 1 enclosure dimensions



① Main bus enclosure.

Additional service

Should you experience difficulty in determining needed parts for repair or determining existing starter condition, contact your local Eaton representative. Eaton can provide qualified technical personnel on-site to:

- Evaluate condition of existing equipment
- Test components
- Identify and recommend replacement parts
- Remove worn or damaged parts and install replacements
- Upgrading an existing unit from one horsepower to another or change operating voltage of existing equipment
- Convert starters from air break to vacuum break contactor
- Retrofit vintage motor-starting equipment with new components
- Provide a recommended spare parts list

Contactors

General Information

Ampgard contactors have gone through multiple design changes and upgrades throughout the life of the Ampgard product family.

Type LF air-break contactors were shipped and manufactured prior to 1982. These contactors are obsolete. Retrofit options that are mechanically and electronically interchangeable are available for starters manufactured in these time periods. Please contact the factory for additional information.

From 1982 to 2002, type SJ vacuum break contactors were sold. In 2002, the SJ series contactor was replaced by the SL series contactor for standard production. **SJ series vacuum interrupters are NOT compatible with the SL series due to form-factor and size differences.** The SL contactor is the iteration currently in production. While most renewal parts are available for the SJ series of contactors, the 400 A and 800 A bottles are no longer available. Customers looking to replace their SJ contactors can use the mechanically and electronically interchangeable SL contactors. See **page 6** or contact the factory for more details. Please have your General Order Number ready.

Series bottle introduction dates:

- 400 A SJ introduced 1982
- 800 A SJ introduced 1987
- 400 A SL introduced 2002
- 800 A SL introduced 2014

For 400 A SJ contactors, there are three main designs:

- Slide-out design (SJS)
- Slide-out design, narrow (SJD)
- Roll-out design (SJA)

For 800 A SJ contactors, there is one design:

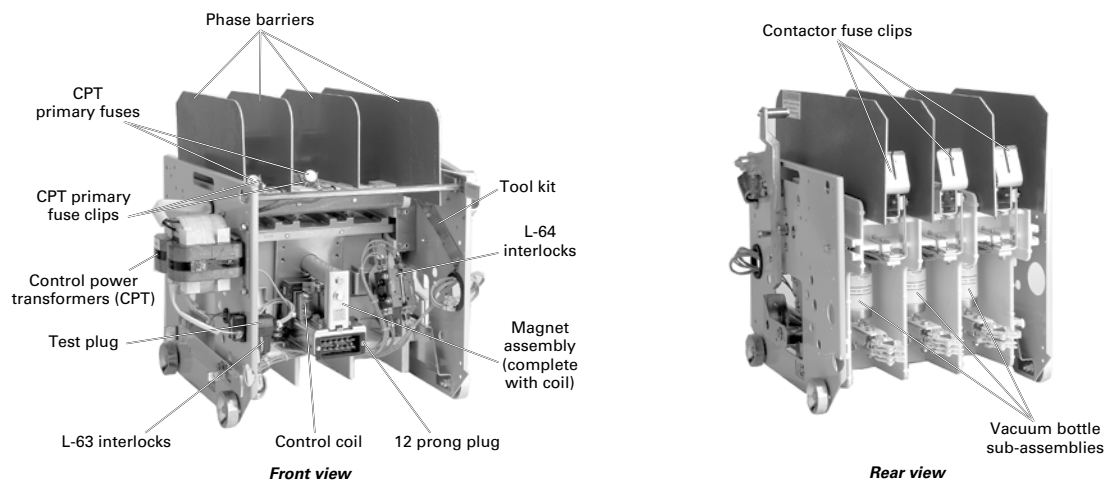
- Roll-out design (SJA)

Contactor replacements and renewal parts

SJ 400 A full contactor replacement—complete contactors

Please note, SJ vacuum bottles are no longer available and complete SJ contactor replacements can no longer be manufactured. For existing SJ contactors, a retrofit to SL contactor must be purchased; contact the factory for more information. SJ contactor parts are still available, as outlined in this catalog. For existing SL contactors, replacement contactor Style numbers are listed below.

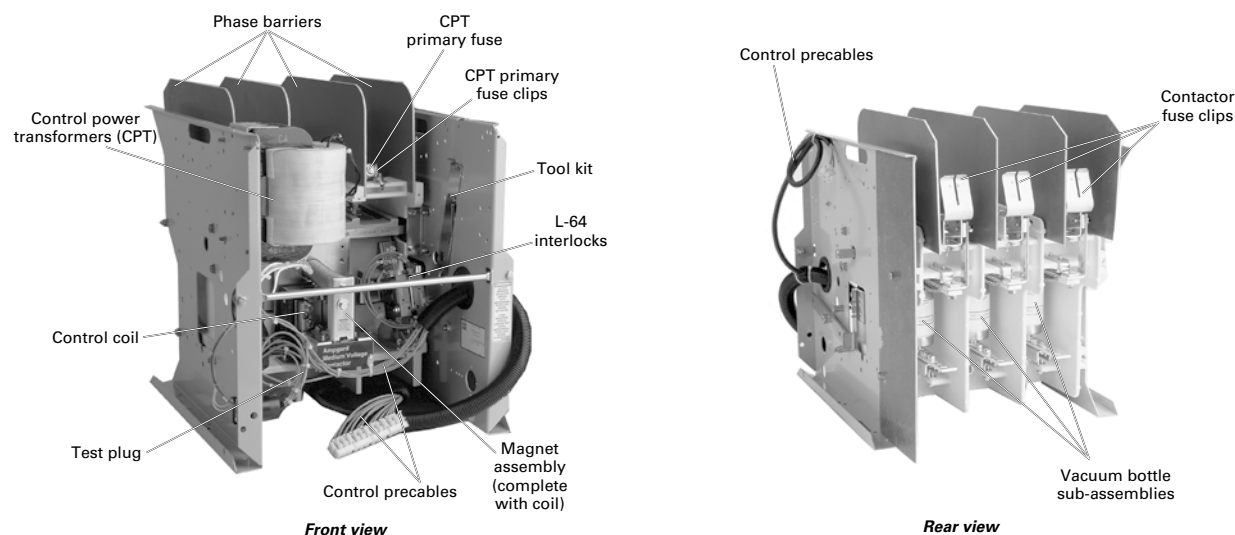
Figure 4. 400 A, 7200 V (max.), roll-out SJA vacuum break contactor



SL 400 A roll-out contactors

Service voltage	CPT rating	Part number magnetically held	Part number with 120 V mechanical latch
2400 V	750 VA	2147A50G01	2147A50G11
	2 kVA	2147A50G02	2147A50G12
4160 V	750 VA	2147A50G03	2147A50G13
	2 kVA	2147A50G04	2147A50G14

Figure 5. 400 A, 7200 V (max.), slide-out SJS vacuum break contactor



SL 400 A slide-out contactors

Service voltage	CPT rating	Part number magnetically held	Part number with 120 V mechanical latch
2400 V	750 VA	2147A50G21	2147A50G31
	2 kVA	2147A50G22	2147A50G32
4160 V	750 VA	2147A50G23	2147A50G33
	2 kVA	2147A50G24	2147A50G34

SJ 400 A renewal parts

L-63 interlock and mounting kit



Type	Style number ①②
SJA, SJS, SJD	2147A48G30

- ① Includes mounting hardware.
- ② Not for latched contactors.

Contactor coil



Type	Voltage	Style number
SJA, SJS	120 V	2147A48G11
	240 V	2147A48G21

Phase barriers, main, and reversing contactor



Type	Qty.	Style number
SJA, SJD	4	2147A47G11

Phase barriers, main contactor



Type	Qty.	Style number
SJA, SJD	4	2147A47G14

Contactor line or load fingers, without support



Type	Qty.	Style number
SJA, SJD	3	2147A47G23

Line fingers with copper support



Type	Qty.	Style number ①
SJA, SJD	3	2147A49G01

- ① Includes mounting hardware.

Contactor fuse clips



Type	Qty.	Style number ①
SJA, SJS, SJD	3	2147A49G11

① Includes mounting hardware.

Mechanical interlock arm for field mounting on contactor



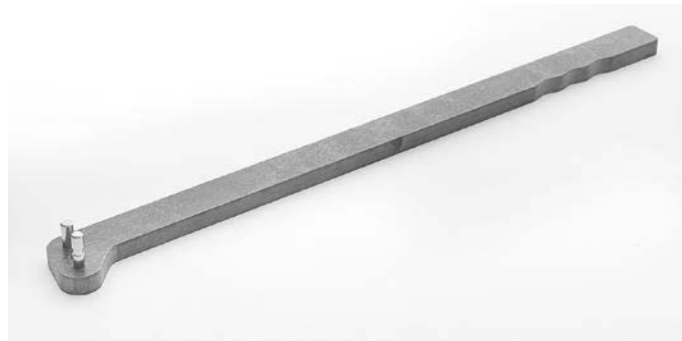
Type	Style number
SJA	2147A43G14

Contactor control precables



Type	Description	Style number
SJS	Complete set	2147A15G10
	12 point precable only, for coil and interlock circuitry	2147A15G17

Fuse puller



Type	Style number
SJA, SJS, SJD	2147A93G04

Miscellaneous parts kit



Type	Description	Style number ①
SJA, SJS, SJD	Kit includes: Kickout spring and adjusting bolt, coil clip, set screw, electrical interlock operating arms with mounting hardware, mechanical interlock spring and contactor wheel	2147A48G15

① Includes mounting hardware.

Replacement mechanical latch kit (single trip latching solenoid) with L-64 interlock

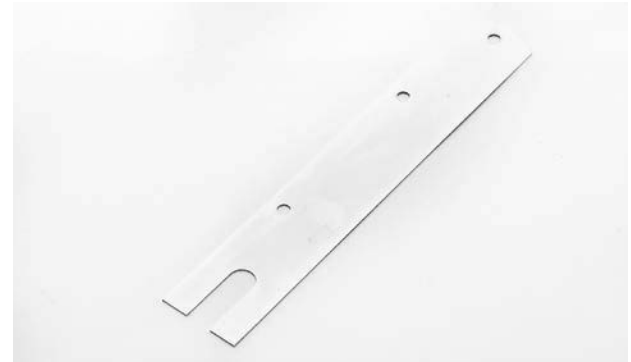


Type	Description	Style number ①
SJA, SJS, SJD	120 Vac, 48 Vdc	2147A48G22
	230 Vac, 96–125 Vdc	2147A48G23

① Includes mounting hardware.

Type	AC	DC (Int.)	Style number
Single latching solenoid assembly only	115 V	48 V	5264C05H01
	230 V	96–125 V	5264C05H02
	460 V	250 V	5264C05H03
	575 V	—	5264C05H04
	—	24 V	5264C05H05

Feeler gauge



Type	Description	Style number
SJA, SJS, SJD, SL	0.020 inch thickness	5259C11H01

Main fuse bands



Type	Qty.	Style number
SJA, SJS, SJD	3	2147A11G31

SL 400 A renewal parts

Contact line or load fingers, without supports



Type	Qty.	Style number
SL	3	2147A47G23

SL 400 A vacuum bottle assembly



Type	Qty.	Style number
SL	3	2147A58G02

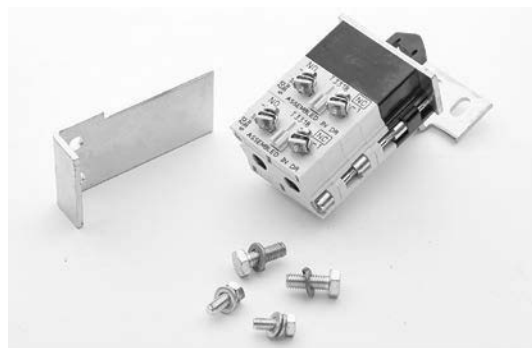
400 A control circuit board



Type	Style number ①
SL	2147A58G03

① Includes mounting hardware.

Auxiliary contact assembly (2NO/2NC)



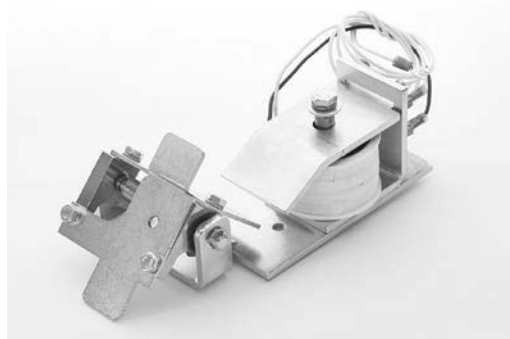
Type	Style number
SL	2147A58G04

400 A dual coil kit



Type	Style number
SL	2147A58G11

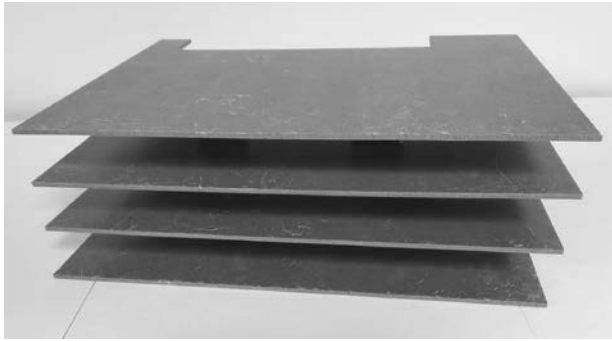
400 A mechanical latch assembly



Type	Style number
Mechanical latch assembly without coil	2147A58G24
24 Vdc coil and diode	2147A58G25
48 Vdc coil and diode	2147A58G26
125 Vac/Vdc coil and diode	2147A58G27
250 Vac/Vdc coil and diode	2147A58G28

Note: Pictured is 2147A58G24 with one of the other groups. G24 does not include coil or diode.

SL contactor phase barriers



Type	Qty.	Style number
SL	4	2147A58G12

SL contactor insulator and bottle clamp



Type	Qty.	Style number
SL	3	2147A58G15

SL contactor main fuse clips



Type	Qty.	Style number
SL	3	2147A58G20

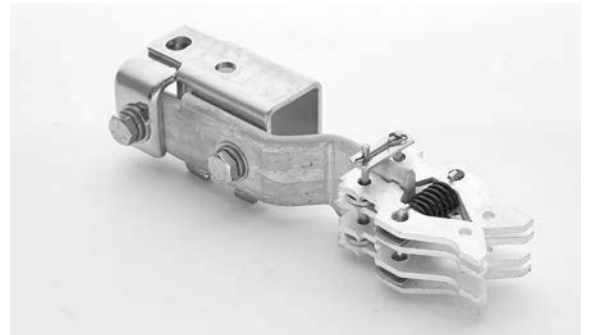
SL CPT and PT primary fuse clips and mounting



Type	Qty.	Style number
CPT primary fuse clips and mounting	3	2147A58G18
PT primary fuse clips and mounting	2	2147A58G16

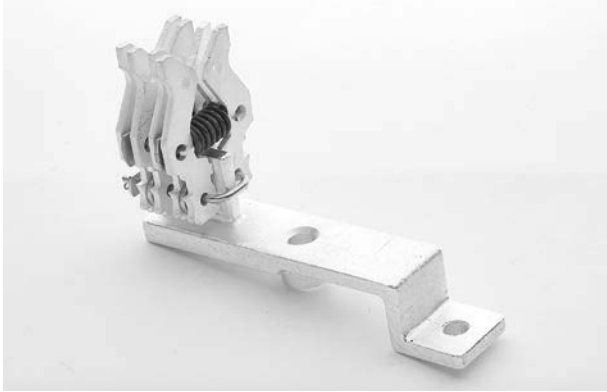
Note: Pictured is 2147A58G16.

SL, roll-out contactor line finger and support



Type	Qty.	Style number
SL	3	2147A58G50

SL, roll-out contactor load finger and support



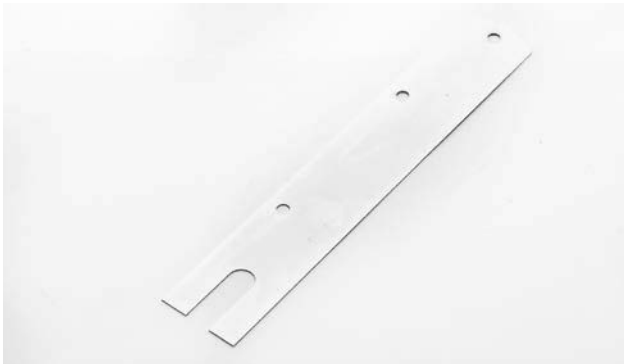
Type	Qty.	Style number
SL	3	2147A58G51

SL contactor return spring assembly



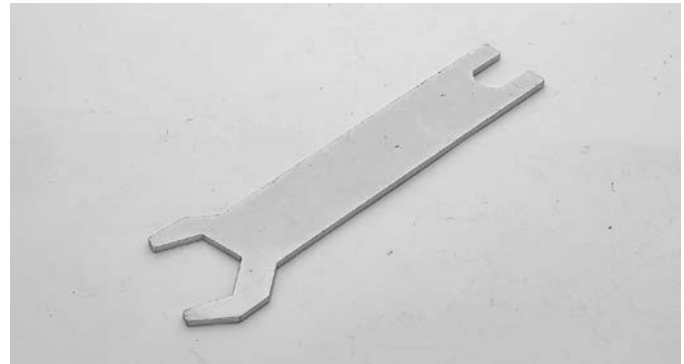
Type	Style number
SL	2147A58G22

Feeler gauge



Type	Description	Style number
SL	0.020 inch thickness	5259C11H01

Bottle wrench



Type	Style number
SL	4A36081H01

Main fuse bands

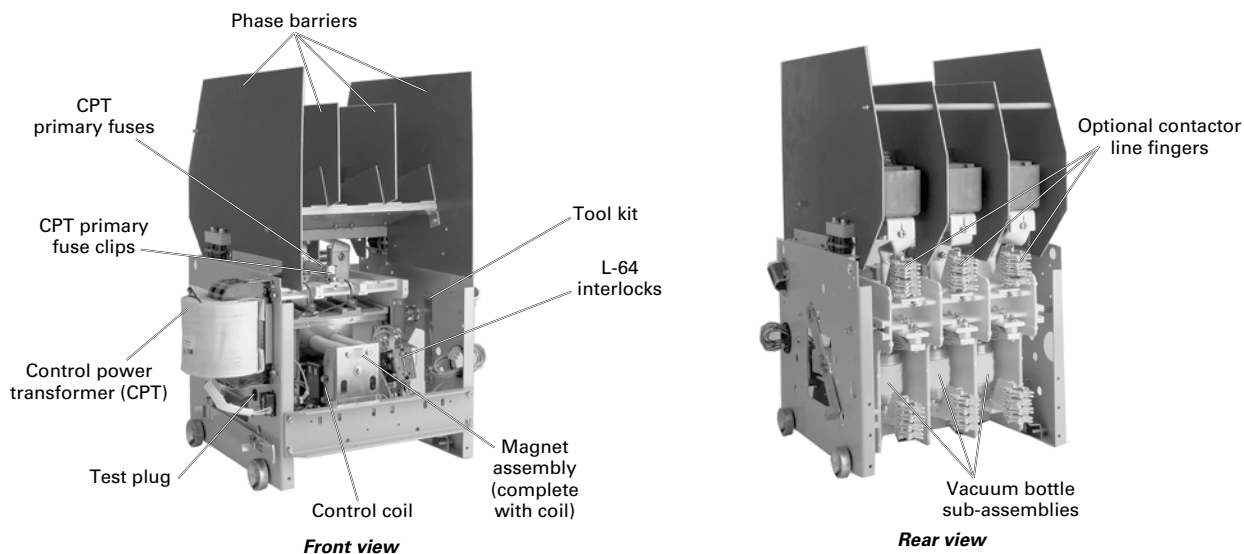


Type	Qty.	Style number
SL	3	2147A11G31

SJ 800 A full contactor replacement—complete contactors

For contactor replacement without control power transformers (CPT), contact the factory. Please have your General Order Number ready. Please note, SJ vacuum bottles are no longer available and complete SJ contactor replacements can no longer be manufactured. For existing SJ contactors, a retrofit to SL contactor must be purchased; contact the factory for more information. SJ contactor parts are still available, as outlined in this catalog. For existing SL contactors, replacement contactor Style numbers are listed below.

Figure 6. 800 A, 7200 V (max.), roll-out SJA vacuum break contactor

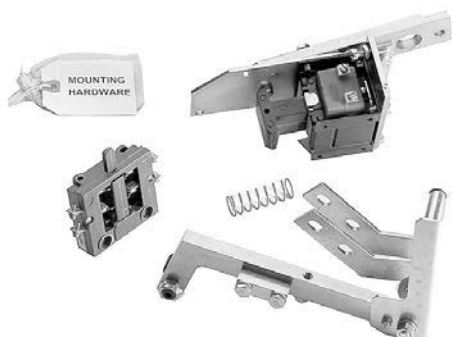


SL 800 A contactors

Service voltage	CPT rating	Part number magnetically held	Part number with 120 V mechanical latch
2400 V	2 kVA	2147A85G51	2147A85G61
4160 V	2 kVA	2147A85G52	2147A85G62

SJ 800 A renewal parts

Replacement mechanical latch kit (single trip latching solenoid) with L-64 interlock



Type	Description	Style number ①
SJA	120 Vac, 48 Vdc	2147A88G22
	230 Vac, 125 Vdc	2147A88G23

① Includes mounting hardware.

Type	AC	DC (Int.)	Style number
Single latching solenoid assembly only	115 V	48 V	5264C05H01
	230 V	96–125 V	5264C05H02
	460 V	250 V	5264C05H03
	575 V	—	5264C05H04
	—	24 V	5264C05H05

Barrier assembly



Type	Style number ①
SJA	2147A89G07

① Includes mounting hardware.

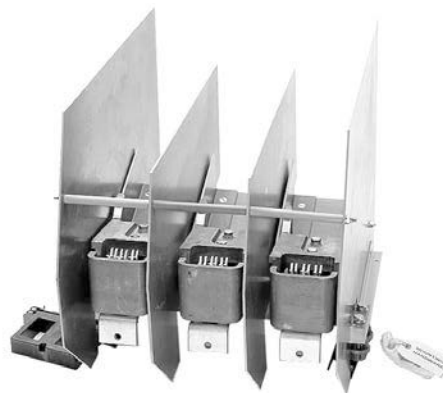
Contactor line fingers (connection between contactor and fuse)



Type	Qty.	Style number ①
SJA	3	2147A71G15

① Includes mounting hardware.

Fuse support and barrier assembly



Type	Style number ①
SJA	2147A89G06

① Includes mounting hardware.

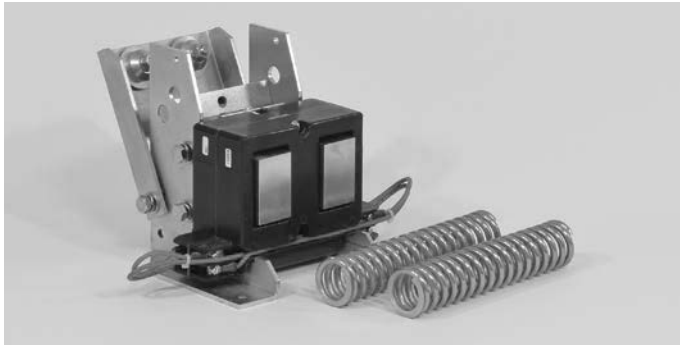
Contactor coil



Type	Volts	Qty.	Style number ①
SJA	120 Vac	2	2147A88G11
	240 Vac	2	2147A88G12

① Includes mounting hardware.

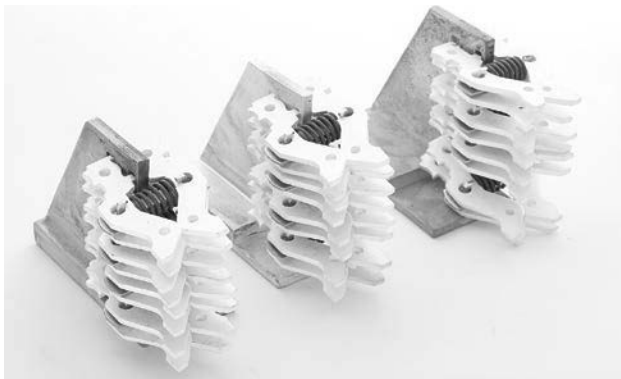
Magnetic assembly, complete with coil



Type	Volts	Style number ①
SJA	120 Vac	2147A88G02
	240 Vac	2147A88G03
	Without coil	2147A88G04

① Includes mounting hardware.

Contactor line fingers with copper support



Type	Qty.	Style number ①
SJA	3	2147A89G01

① Includes mounting hardware.

Fuse puller



Type	Style number
SJA	2147A93G07

Miscellaneous parts kit



Type	Description	Style number ①
SJA	Kit includes: Kickout springs and adjusting bolt, coil clip, electrical interlock operating arm with mounting hardware, mechanical interlock spring, and wheel	2147A88G15

① Includes mounting hardware.

Contactor line fingers without support



Type	Qty.	Style number ①
SJA	3	2147A89G02

① Includes mounting hardware.

SL 800 A renewal parts

Type	AC	DC (Int.)	Style number
Single latching solenoid assembly only	115 V	48 V	5264C05H01
	230 V	96–125 V	5264C05H02
	460 V	250 V	5264C05H03
	575 V	—	5264C05H04
	—	24 V	5264C05H05

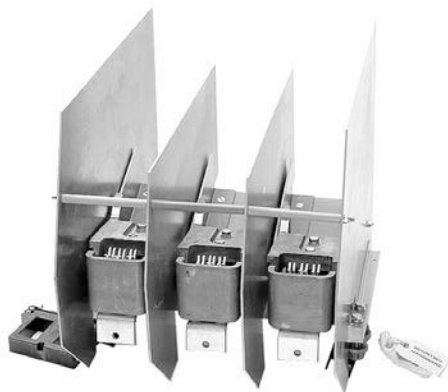
Barrier assembly



Type	Style number ①
SL	2147A89G07

① Includes mounting hardware.

Fuse support and barrier assembly



Type	Style number ①
L	2147A89G06

① Includes mounting hardware.

Contactor line fingers (connection between contactor and fuse)



Type	Qty.	Style number ①
SL	3	2147A71G15

① Includes mounting hardware.

Main coil



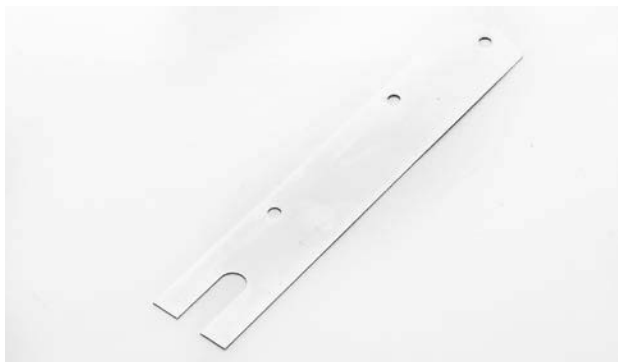
Type	Style number
SL	54A1307G18

Vacuum bottle assembly



Type	Qty.	Style number
SL	3	54A1307G19

Feeler gauge



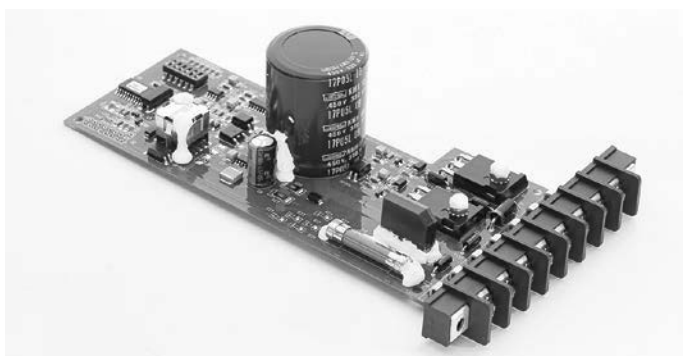
Type	Style number
SL 0.060 inch thickness	5259C11H02

Fuse puller



Type	Style number
SL	2147A93G07

Control circuit board



Type	Style number
SL	54A1307G24

Auxiliary interlocks, 2NO/2NC



Type	Style number
SL	54A1307G22

SJ 400 and 800 A common components and renewal parts

L-63 interlock (coil circuit)



Type	Style number
SJA, SJS, SJD	578D461G03

Contactor mounted run-test circuit (use standard NEC fuse)



Type	Style number
SJA, SJS, SJD	2147A15G09

Standard control transformer, 750 A, 60 Hz



Type	Style number
2300/120 V	C75A1D1F2
4160/120 V	C75E1D1F2

2 kVA control transformer, 60 Hz



Type	Style number
2300/120 V	C20A1D1F2
4160/120 V	C20E1D1F2

L-64 auxiliary interlocks



Type	Style number
1NO, 1NC	843D943G21
2NO	843D943G22
2NC	843D943G23

Fuse blocks with fuse clips for control circuit



Type	Qty.	Style number
Two-pole	2	2147A15G16
Single-pole	4	2147A15G15

Note: Pictured is two-pole.

SJ series bottle wrench



Type	Style number
SJA, SJS, SJD	5259C10H01

12-prong plug with wire



Type	Style number
SJA, SJD	2147A15G04

Fuse clips for primary fuses for control transformers, for use with 5 kV or below service voltage



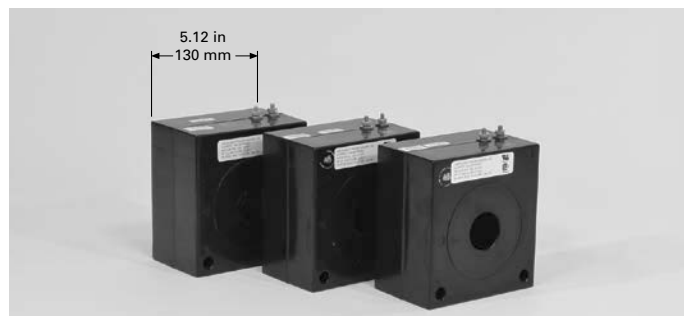
Type	Style number ①
1 inch diameter	2147A47G16
0.81 inch diameter ②	316B911H01

Note: Pictured is 2147A47G16.

① Includes mounting hardware.

② 1 inch diameter was standard production prior to 1999 when 0.81 inch diameter became standard.

Current transformer, single-phase, donut type

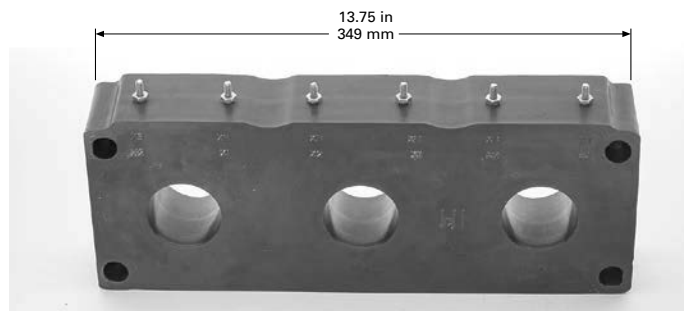


Ratio	Qty.	Style number
50/5	3	①
75/5	3	②
100/5	3	2147A13G04
150/5	3	2147A13G05
200/5	3	2147A13G06
250/5	3	2147A13G07
300/5	3	2147A13G08
400/5	3	2147A13G09
500/5	3	2147A13G10
600/5	3	2147A13G11
750/5	3	2147A13G12
800/5	3	2147A13G13
1000/5	3	2147A13G14
1200/5	3	2147A13G15

① Use style number 2147A13G04 and double loop primary leads.

② Use style number 2147A13G05 and double loop primary leads.

Current transformer, three-phase, donut type

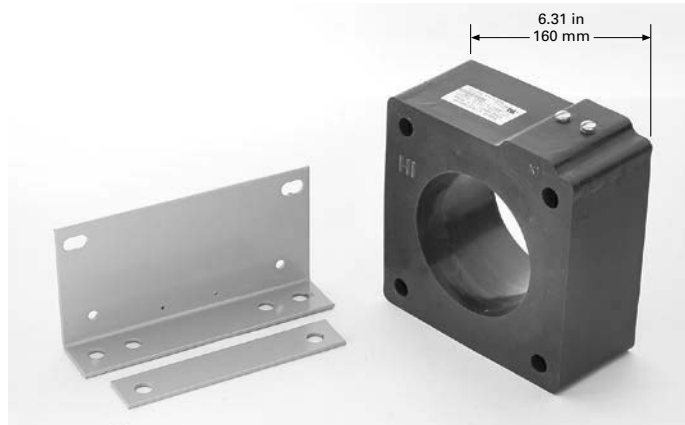


Ratio	Qty.	Style number
50/5	1	①
75/5	1	②
100/5	1	2147A16G04
150/5	1	2147A16G05
200/5	1	2147A16G06
300/5	1	2147A16G08
400/5	1	2147A16G09
500/5	1	2147A16G10
600/5	1	2147A16G11
800/5	1	2147A16G13
1000/5	1	2147A16G14
1200/5	1	2147A16G15

① Use style number 2147A16G04 and double loop primary leads; use 9917D43H30 for single pass-through CT.

② Use style number 2147A16G05 and double loop primary leads; use 9917D43H33 for single pass-through CT.

Ground fault current transformer, 5/50 ratio for use with electronic overloads



Type	Style number ①
SJA, SJS, SJD	2147A11G47

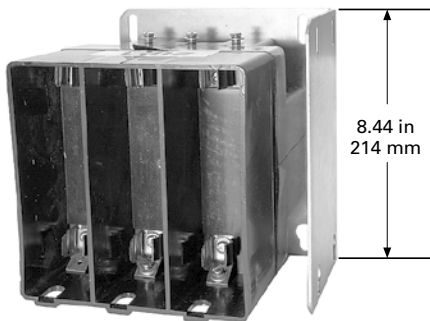
① Includes mounting hardware.

Potential transformers 450 VA single-phase, 60 Hz



Type	Qty.	Style number
2400/120 V	2	2147A11G11
4200/120 V	2	2147A11G12

Potential transformer 100 VA, three-phase open delta, with primary fuse provision, 60 Hz



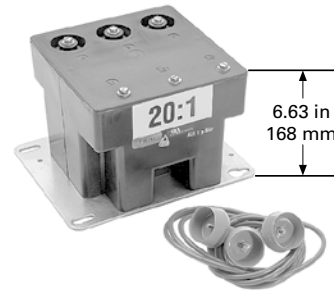
Type	Style number
2400/120 V	2147A11G14
4200/120 V	2147A11G15

CPT and PT primary fuses, 5 kV maximum



Diameter	Amperage	Qty.	Style number
0.81 inch diameter	1 A	3	2147A11G61
	3 A	3	2147A11G49
	5 A	3	2147A11G55
1 inch diameter	1 A	3	7186A29G12
	3 A	3	7186A29G14
	5 A	3	7186A29G15

Potential transformer 100 VA, three-phase open delta, without primary fuse provision, 60 Hz—side-out compatible only



Type	Style number
2400/120 V	2147A11G36
3300/120 V	2147A11G37
4200/120 V	2147A11G38
Wires only	2147A11G70

Note: 2147A11G36–G38 do not include wires; to order wires, order only G70.

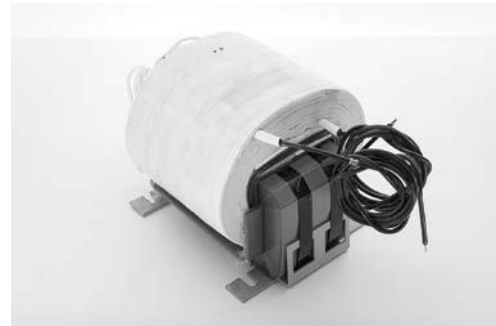
SL 400 and 800 A common components and renewal parts

Standard control transformer, 750 A, 60 Hz



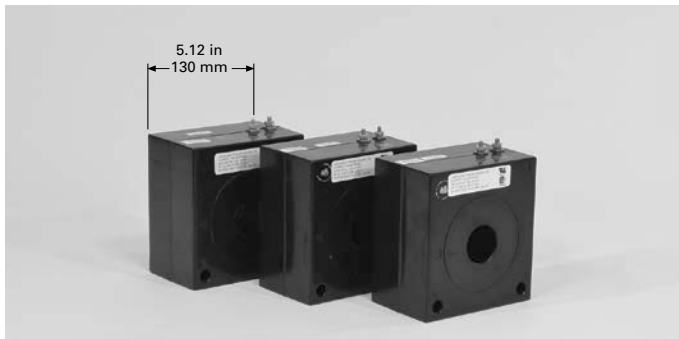
Type	Style number
2300/120 V	C75A1D1F2
4160/120 V	C75E1D1F2

2 kVA control transformer, 60 Hz



Type	Style number
2300/120 V	C20A1D1F2
4160/120 V	C20E1D1F2

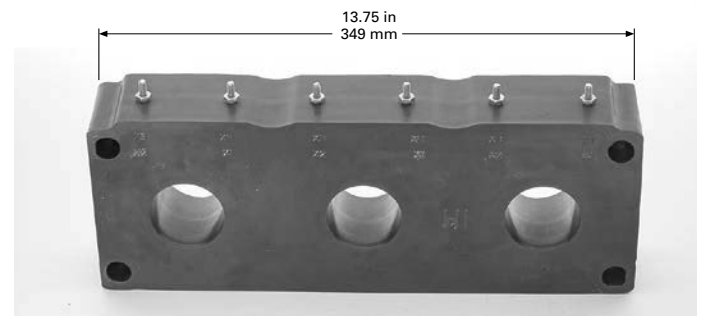
Current transformer, single-phase, donut type



Ratio	Qty.	Style number
50/5	3	①
75/5	3	②
100/5	3	2147A13G04
150/5	3	2147A13G05
200/5	3	2147A13G06
250/5	3	2147A13G07
300/5	3	2147A13G08
400/5	3	2147A13G09
500/5	3	2147A13G10
600/5	3	2147A13G11
750/5	3	2147A13G12
800/5	3	2147A13G13
1000/5	3	2147A13G14
1200/5	3	2147A13G15

- ① Use style number **2147A13G04** and double loop primary leads.
- ② Use style number **2147A13G05** and double loop primary leads.

Current transformer, three-phase, donut type



Ratio	Qty.	Style number
50/5	1	①
75/5	1	②
100/5	1	2147A16G04
150/5	1	2147A16G05
200/5	1	2147A16G06
300/5	1	2147A16G08
400/5	1	2147A16G09
500/5	1	2147A16G10
600/5	1	2147A16G11
800/5	1	2147A16G13
1000/5	1	2147A16G14
1200/5	1	2147A16G15

- ① Use style number **2147A16G04** and double loop primary leads; use **9917D43H30** for single pass-through CT.
- ② Use style number **2147A16G05** and double loop primary leads; use **9917D43H33** for single pass-through CT.

CPT and PT primary fuses, 5 kV maximum



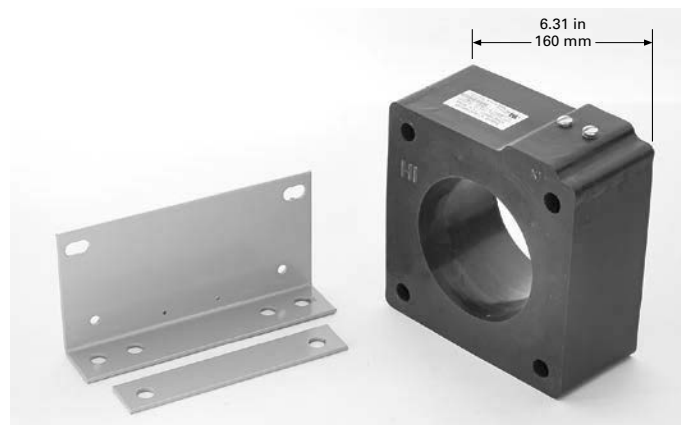
Diameter	Amperage	Qty.	Style number
0.811 inch diameter	1 A	3	2147A11G61
	3 A	3	2147A11G49
	5 A	3	2147A11G55

Potential transformers 450 VA single-phase, 60 Hz



Type	Qty.	Style number
2400/120 V	2	2147A11G11
4200/120 V	2	2147A11G12

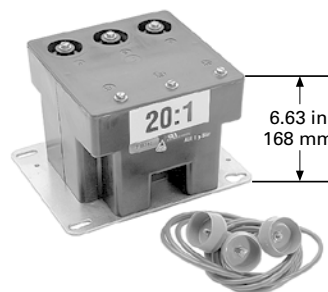
Ground fault current transformer, 50/5 ratio for use with electronic overloads



Type	Style number ①
SJA, SJS, SJD	2147A11G47

① Includes mounting hardware.

Potential transformer 100 VA, three-phase open delta, without primary fuse provision, 60 Hz—slide-out compatible only

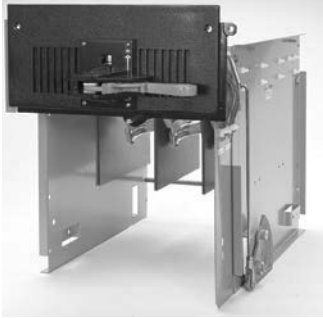

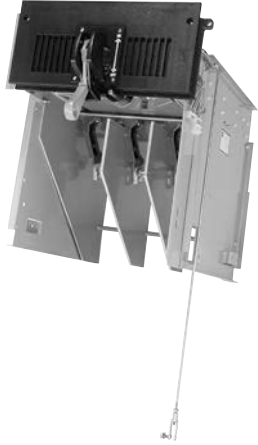
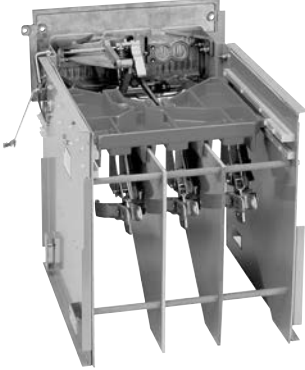




Type	Style number
2400/120 V	2147A11G36
3300/120 V	2147A11G37
4200/120 V	2147A11G38
Wires only	2147A11G70

Note: 2147A11G36–G38 do not include wires; to order wires, order G70.

Isolation switch replacement and renewal parts

Complete isolation switch, 7200 V

Amperage	Type	Part number	Front	Rear
400 A	Roll-out (SJA), 72LFR-4	2147A41G01		
400 A	Slide-out (SJS), 72LFS-4	2147A41G21		
800 A	Roll-out (SJA), LFM-8	2147A81G01		

Note: For isolation switches with keylock provisions, contact the Asheville factory. Please have your general order number ready.

400 A isolation switch renewal parts

Handle and front plate assembly with microswitch



Type	Style number ①
400 A	2147A41G18

① Includes mounting hardware.

Handle housing, clevis only



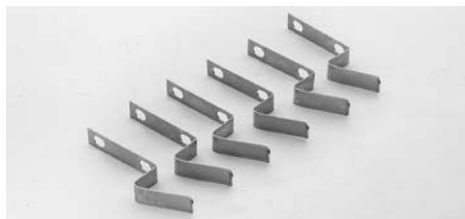
Type	Style number
400 A	2147A41G08

Tray assembly with fuse clamps, grounding fingers, nylon fuse stops, and line fingers



Type	Style number
400 A	2147A41G22

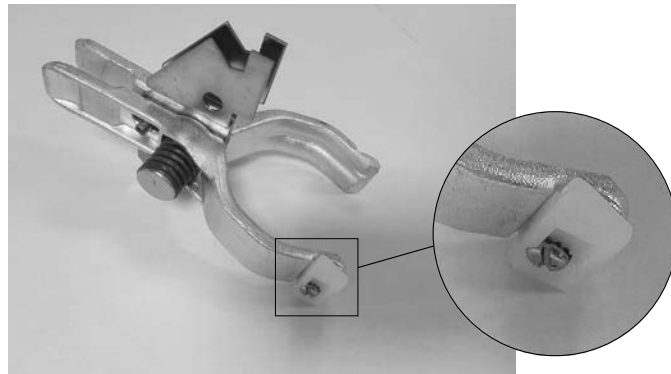
Grounding fingers



Type	Qty.	Style number ①
400 A	6	2147A21G21

① Includes mounting hardware.

Nylon fuse stops on fuse clamps



Type	Style number
Minimum order of 24	316B910H01

Microswitch assembly



Type	Style number ①
400 A	2147A01G01

① Includes mounting hardware.

Mechanical interlock parts kit



Type	Style number ①
400 A	2147A41G23

① Includes mounting hardware.

800 A isolation switch renewal parts

Microswitch assembly



Type	Style number ①
800 A	2147A01G01

① Includes mounting hardware.

Tray assembly with line fingers



Type	Style number ①
800 A	2147A81G22

① Includes mounting hardware.

Line fuse cluster finger support assembly



Type	Qty.	Style number ①
800 A	3	2147A81G20

① Includes mounting hardware.

Grounding bar assembly with fingers



Type	Style number
800 A	2147A71G20

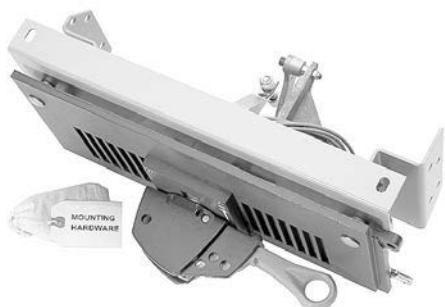
Handle, housing, clevis only



Type	Style number ①
800 A	2147A71G08

① Includes mounting hardware.

Handle and front plate with microswitch



Type	Style number ①
800 A	2147A71G18

① Includes mounting hardware.

Grounding fingers



Type	Qty.	Style number ①
800 A	6	2147A71G23

① Includes mounting hardware.

Isolating switch shutter mechanism

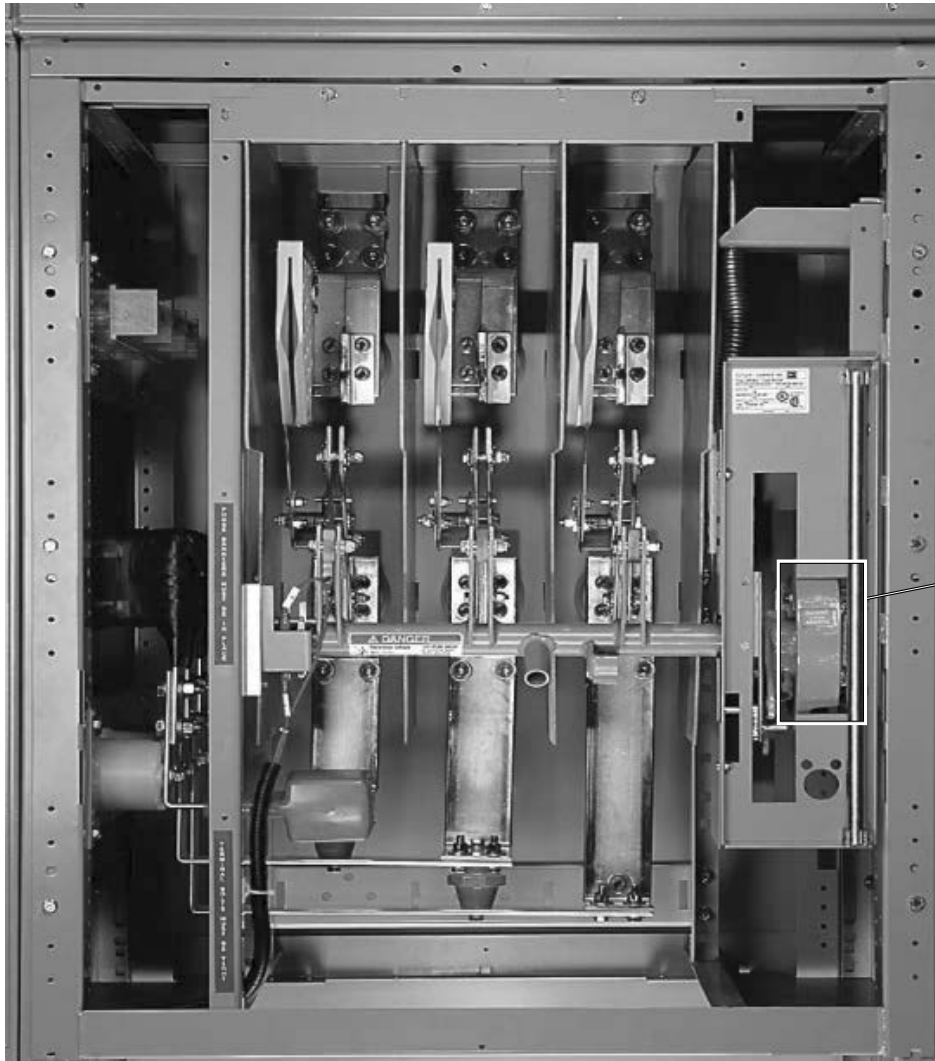


Type	Style number ①
800 A	2147A81G19

① Includes mounting hardware.

Load break switch (LBS)

Previously ADM Switch



220C934H03,
Classic LBS
interlock ring

Previously, Eaton offered a load-break disconnect switch known as the ADM switch. ADM switches were offered until 2001, when they were replaced with a new load-break switch design called the LBS, or Load Break Switch. Eaton no longer offers ADM switch full-cell replacements or renewal parts. If you have an ADM switch in need of repair, a full-cell LBS replacement is required. Rear accessibility may be required in some circumstances to replace an ADM switch with an LBS. Fused LBS options can come in ratings up to 450E.

For more information about ADM and LBS replacements, contact the factory. Please have your General Order Number ready.

Reduced voltage solid-state starters (RVSS)

Previously, Eaton offered Classic Ampgard soft starters in MV801 and MV811 models. Renewal parts for MV801 and MV811 RVSS sections are not available from the factory. Full-cell MV4S retrofit kits are available for Classic Ampgard lineups containing MV801 and MV811 RVSS sections. For more information, please contact the factory.

Assembly and structural components

**400 A roll-out contactor line stab assembly,
 3 copper tabs plus insulator**



Type	Style number
SJA	2147A49G20

**400 A roll-out contactor load stab assembly,
 3 copper tabs plus insulator**



Type	Style number
SJA	2147A49G07

12-prong receptacle with wires



Type	Style number
400 A	2147A15G03
800 A	2147A15G12

Slide-out door with LV control panel

Note: Works in a drawer with slide rails including three device panels.



Type	Style number
400 A cell, nominal 45 inch high	2147A91G13
800 A cell, nominal 60 inch high	2147A91G14

400 A SJA roll-out contactor main load cables



Type	Style number ①
1/0 cable if CT ratio is below 250/5	2147A15G18
4/0 cable if CT ratio is 250/5 or above	2147A15G19

① Includes mounting hardware.

400 A SJS slide-out contactor main load cables with load adapter



Type	Style number ①
1/0 cable if CT ratio is below 250/5	2147A15G13
4/0 cable if CT ratio is 250/5 or above	2147A15G14

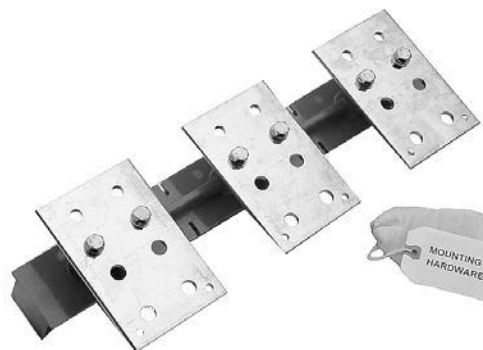
① Includes mounting hardware.

Isolating switch incoming line stab assembly



Type	Style number
400 A	2147A21G19

Slide-out load connection



Type	Style number ①
400 A, SJS	2147A21G40

① Includes mounting hardware.

Isolating switch line stab assembly and barriers



Type	Qty.	Style number ①
800 A	3	2147A81G11

Note: If replacing 2147A71G11 (used with LF 700 air-break contactor), must also replace tray assembly with 2147A81G22 or complete isolation switch, 2147A81G01.

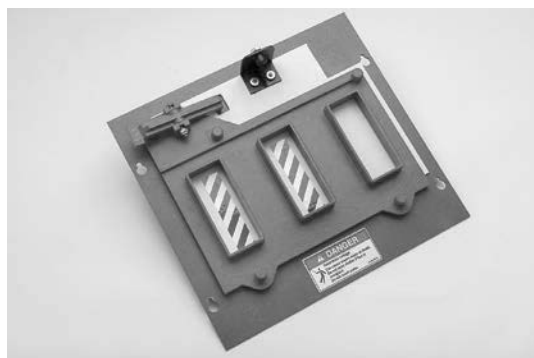
① Includes mounting hardware.

Isolating switch incoming line stab assembly with shutter mechanism and finger barrier for SJA and SJS



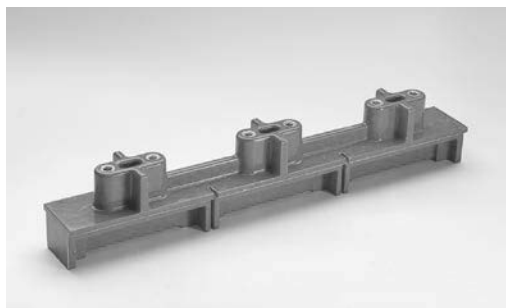
Type	Style number
400 A, SJA and SJS	2147A41G11
400 A, SJD	2147A21G33

Isolating switch shutter mechanism only



Type	Style number
400 A	2147A41G12

Non-insulated main bus support



Type	Style number
All	2147A21G37

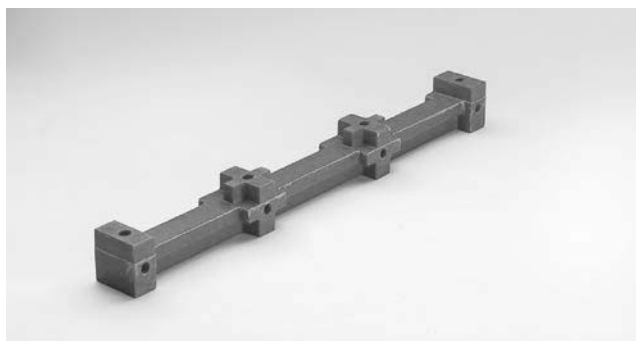
Insulated main bus support kit



Type	Style number ①
All	2147A21G35

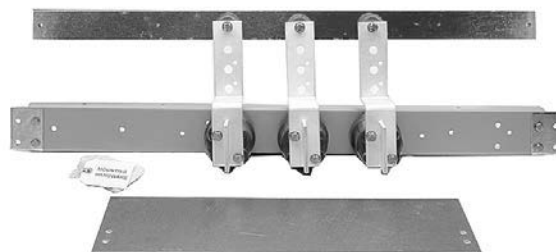
① Includes mounting hardware.

Insulated main bus clamp



Type	Style number
All	2147A21G38

Contactor load or line stab assembly, complete with mounting



Type	Style number ①
800 A	2147A89G03

① Includes mounting hardware.

Clip-in fuses

Main fuse kits



Note: Quantity 3 fuses per kit. See table below.

Main fuse kits—5 kV maximum (4.8 kV nominal)

Type	Rating	Style number	Motor full-load amperes
CLS 400 A starter	30 A–1R	2A98253G01	10.9–18.6
	70 A–2R	2A98253G02	18.7–31.1
	100 A–3R	2A98253G03	31.2–42.5
	130 A–4R	2A98253G04	42.6–56.7
	150 A–5R	2A98253G05	—
	170 A–6R	2A98253G06	56.8–85.1
	200 A–9R	2A98253G07	85.2–137
	230 A–12R	2A98253G08	138–187
	390 A–18R	2A98253G09	188–244
	450 A–24R	2A98253G10	245–360
CLS 800 A starter	450 A–24R	2A98253G11	0–329
	650 A–36R	2A98253G12	330–499
	800 A–44R	2A98253G13	500–720
CLE 400 A starter and LBS switch	10E	2A98253G41	—
	15E	2A98253G42	—
	20E	2A98253G43	—
	25E	2A98253G44	—
	30E	2A98253G45	—
	40E	2A98253G46	—
	50E	2A98253G47	—
	65E	2A98253G48	—
	80E	2A98253G49	—
	100E	2A98253G50	—
	125E	2A98253G51	—
	150E	2A98253G52	—
	200E	2A98253G53	—
	225E	2A98253G54	—
	250E/280X	2A98253G55	—
	300E/325X	2A98253G56	—
350E	2A98253G57	—	
400E	2A98253G58	—	
450E	2A98253G59	—	
CLS 800 A starter	600E	2A98253G60	—
	750E	2A98253G61	—
CLE LBS switches	600E ①	2A98253G62	—
	750E ①	2A98253G63	—
	1100E ① ②	2A98253G64	—
	1350E ① ②	2A98253G65	—

① Bolted in.

② Two fuses per phase.



Note: Quantity 3 fuses per kit. See table below.

Main fuse kits—7.2 kV maximum (6.9 kV nominal)

Type	Rating	Style number	Motor full-load amperes
CLS 400 A starter	70 A–2R	2A98253G21	10.9–34.2
	100 A–3R	2A98253G22	34.3–46.7
	130 A–4R	2A98253G23	46.8–56.7
	150 A–5R	2A98253G24	46.8–68.4
	170 A–6R	2A98253G25	68.5–85.1
	200 A–9R	Contact factory	85.2–137
	230 A–12R		138–187
	390 A–18R		188–273
	450 A–24R		274–360
CLS 800 A starter	450 A–24R	Contact factory	—
	650 A–36R		
	800 A–44R		
CLE 400 A starter and LBS switch	10E	2A98253G71	—
	15E	2A98253G72	
	20E	2A98253G73	
	25E	2A98253G74	
	30E	2A98253G75	
	40E	2A98253G76	
	50E	2A98253G77	
	65E	2A98253G78	
	80E	2A98253G79	
	100E	2A98253G80	
	125E	2A98253G81	
	150E	2A98253G82	
	175E	2A98253G83	
	200E	2A98253G84	
	250E	2A98253G85	
	300E	2A98253G86	
350E	2A98253G87		

Eaton
1000 Eaton Boulevard
Cleveland, OH 44122
United States
Eaton.com

© 2019 Eaton
All Rights Reserved
Printed in USA
Publication No. TD020004EN / Z22225
May 2019