

# X-Limiter™ unitized fuse



## General

Eaton's Cooper Power™ series X-Limiter™ unitized fuse allows paralleling the two-inch diameter 15.5 kV fuses to fit Eaton's Cooper Power series NX™ Code 2 hinge mountings. It provides double current rated fused switching when a loadbreak feature is not required. The X-Limiter unitized fuse has the same electrical characteristics and follows the same application criteria as the X-Limiter fuse, described in *Catalog Section 240-56, X-Limiter Full-Range Current-Limiting Fuse*. One operation indicator is included per fuse set.

**EATON**

Powering Business Worldwide

**Features and detailed description**

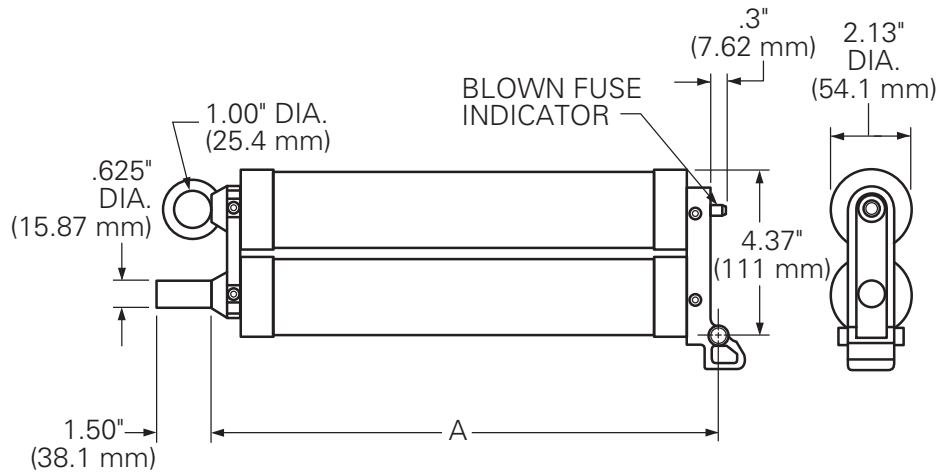


Figure 1. Dimensional illustration of X-Limiter Unitized fuse.

**Production tests**

Tests are conducted in accordance with Eaton requirements.

- 100% Physical Inspection
- 100% 1<sup>2</sup>t Testing
- 100% Resistance Testing

Table 2. X-Limiter Unitized Fuse Dimensional and Ordering Information

Voltage Rating kV	Catalog Number Replacement Fuse	Catalog Number With End Fittings	Current Rating	Mounting Code	Approximate Weight	Dimensions A Inches (mm)
15.5 kV	155F060-UI	155F60-UIEF	60	2	8 (3.63)	13.55 (344.2)
	155F080-UI	155F80-UIEF	80	2	8 (3.63)	13.55 (344.2)
	155F100-UI	155F100-UIEF	100	2	8 (3.63)	13.55 (344.2)

**Note:** End fittings catalog number UIEF, includes both upper and lower end piece.

Table 1. Electrical Characteristics

Fuse Type	Full-Range
Maximum Interrupting Current	50,000 A rms symmetrical

**Eaton**  
1000 Eaton Boulevard  
Cleveland, OH 44122  
United States  
Eaton.com

**Eaton's Cooper Power Systems Division**  
2300 Badger Drive  
Waukesha, WI 53188  
United States  
Eaton.com/cooperpowerseries

© 2015 Eaton  
All Rights Reserved  
Printed in USA  
Publication No. CA132030EN

Eaton, Cooper Power, NX, and X-Limiter are valuable trademarks of Eaton in the U.S. and other countries. You are not permitted to use these trademarks without the prior written consent of Eaton.

For Eaton's Cooper Power series X-Limiter unitized fuse product information call 1-877-277-4636 or visit: [www.eaton.com/cooperpowerseries](http://www.eaton.com/cooperpowerseries).