

UltraSIL™ Polymer-Housed Distribution-Class MOV Surge Arrester Installation Instructions



DISCLAIMER OF WARRANTIES AND LIMITATION OF LIABILITY

The information, recommendations, descriptions and safety notations in this document are based on Eaton Corporation's ("Eaton") experience and judgment and may not cover all contingencies. If further information is required, an Eaton sales office should be consulted. Sale of the product shown in this literature is subject to the terms and conditions outlined in appropriate Eaton selling policies or other contractual agreement between Eaton and the purchaser.

THERE ARE NO UNDERSTANDINGS, AGREEMENTS, WARRANTIES, EXPRESSED OR IMPLIED, INCLUDING WARRANTIES OF FITNESS FOR A PARTICULAR PURPOSE OR MERCHANTABILITY, OTHER THAN THOSE SPECIFICALLY SET OUT IN ANY EXISTING CONTRACT BETWEEN THE PARTIES. ANY SUCH CONTRACT STATES THE ENTIRE OBLIGATION OF EATON. THE CONTENTS OF THIS DOCUMENT SHALL NOT BECOME PART OF OR MODIFY ANY CONTRACT BETWEEN THE PARTIES.

In no event will Eaton be responsible to the purchaser or user in contract, in tort (including negligence), strict liability or otherwise for any special, indirect, incidental or consequential damage or loss whatsoever, including but not limited to damage or loss of use of equipment, plant or power system, cost of capital, loss of power, additional expenses in the use of existing power facilities, or claims against the purchaser or user by its customers resulting from the use of the information, recommendations and descriptions contained herein. The information contained in this manual is subject to change without notice.

Contents

DISCLAIMER OF WARRANTIES AND LIMITATION OF LIABILITY	ii
SAFETY FOR LIFE	iv
SAFETY INFORMATION	iv
Safety instructions	iv
PRODUCT INFORMATION	1
Introduction	1
Acceptance and initial inspection	1
Handling and storage	1
Quality standards	1
INSTALLATION PROCEDURE	2
Installation instructions	2
Field testing	3
Removing an arrester from a circuit	3
ACCESSORIES	4
Wildlife protection	4



Safety for life



Eaton meets or exceeds all applicable industry standards relating to product safety in its Cooper Power™ series products. We actively promote safe practices in the use and maintenance of our products through our service literature, instructional training programs, and the continuous efforts of all Eaton employees involved in product design, manufacture, marketing, and service.

We strongly urge that you always follow all locally approved safety procedures and safety instructions when working around high voltage lines and equipment, and support our “Safety For Life” mission.

Safety information

The instructions in this manual are not intended as a substitute for proper training or adequate experience in the safe operation of the equipment described. Only competent technicians who are familiar with this equipment should install, operate, and service it.

A competent technician has these qualifications:

- Is thoroughly familiar with these instructions.
- Is trained in industry-accepted high and low-voltage safe operating practices and procedures.
- Is trained and authorized to energize, de-energize, clear, and ground power distribution equipment.
- Is trained in the care and use of protective equipment such as arc flash clothing, safety glasses, face shield, hard hat, rubber gloves, clampstick, hotstick, etc.

Following is important safety information. For safe installation and operation of this equipment, be sure to read and understand all cautions and warnings.

Hazard Statement Definitions

This manual may contain four types of hazard statements:

DANGER

Indicates an imminently hazardous situation which, if not avoided, will result in death or serious injury.

WARNING

Indicates a potentially hazardous situation which, if not avoided, could result in death or serious injury.

CAUTION

Indicates a potentially hazardous situation which, if not avoided, may result in minor or moderate injury.

CAUTION

Indicates a potentially hazardous situation which, if not avoided, may result in equipment damage only.

Safety instructions

Following are general caution and warning statements that apply to this equipment. Additional statements, related to specific tasks and procedures, are located throughout the manual.

DANGER

Hazardous voltage. Contact with hazardous voltage will cause death or severe personal injury. Follow all locally approved safety procedures when working around high- and low-voltage lines and equipment.

G103.3

WARNING

Before installing, operating, maintaining, or testing this equipment, carefully read and understand the contents of this manual. Improper operation, handling or maintenance can result in death, severe personal injury, and equipment damage.

G101.0

WARNING

This equipment is not intended to protect human life. Follow all locally approved procedures and safety practices when installing or operating this equipment. Failure to comply can result in death, severe personal injury and equipment damage.

G102.1

WARNING

Power distribution and transmission equipment must be properly selected for the intended application. It must be installed and serviced by competent personnel who have been trained and understand proper safety procedures. These instructions are written for such personnel and are not a substitute for adequate training and experience in safety procedures. Failure to properly select, install or maintain power distribution and transmission equipment can result in death, severe personal injury, and equipment damage.

G122.2

 **CAUTION**

This arrester should be installed only by personnel familiar with good safety practice and the handling of high-voltage electrical equipment. These instructions are not intended to supersede or replace existing safety and operating procedures. Where applicable, the requirements of national and/or local codes and insurance underwriters must be fulfilled.

Always handle surge arrester – packed or unpacked – very carefully. Do not drop, jar, or handle an arrester roughly. Dropping, jarring, and/or rough handling may damage the arrester internally and/or externally, making it incapable of adequately protecting the apparatus or circuit on which it is to be installed or it may shorten the service life of the arrester significantly.

 **WARNING**

Never install a damaged arrester. A damaged arrester may misoperate violently, causing severe personal injury and property damage.

 **CAUTION**

Do not install an arrester if the type, voltage, and MCOV data are not exactly the same on the nameplate and the carton label because the arrester may be incapable of adequately protecting the apparatus or circuit on which it is to be installed.

Make all electrical connections – ground and line – so that no mechanical stress is applied to the surge arrester. Mechanical stress may damage the arrester in such a manner that its service life is shortened significantly.

IMPORTANT

This Cooper Power series product as designed and packaged by Eaton has been classified by the US DOT as not regulated as an explosive.

Product information

Introduction

Eaton's Cooper Power series UltraSIL® polymer-housed distribution-class MOV arresters provide overvoltage protection to overhead and underground distribution systems.

Read this manual first

Read and understand the contents of this manual and follow all locally approved procedures and safety practices before installing or operating this equipment

Additional information

These instructions cannot cover all details or variations in the equipment, procedures, or process described nor provide directions for meeting every possible contingency during installation, operation, or maintenance. When additional information is desired to satisfy a problem not covered sufficiently for the user's purpose, please contact your Eaton representative.

Acceptance and initial inspection

Each arrester is completely assembled, inspected and tested at the factory. It is in good condition when accepted by the carrier for shipment. Upon receipt of an arrester, inspect the connector thoroughly for damage and loss of parts incurred during shipment. If damage or loss is discovered, file a claim with the carrier immediately.

Handling and storage

If the arrester is to be stored for an appreciable time before installation, provide a clean, dry storage area. Locate the arrester so as to minimize the possibility of physical damage.

Quality standards

ISO 9001 Certified Quality Management System

UltraSIL™ Polymer-Housed Distribution-Class MOV Surge Arrester

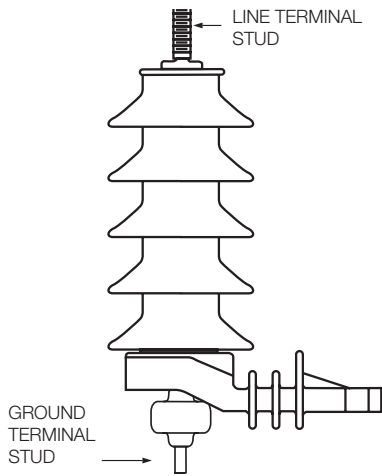


Figure 1. UltraSIL housed distribution class MOV arrester

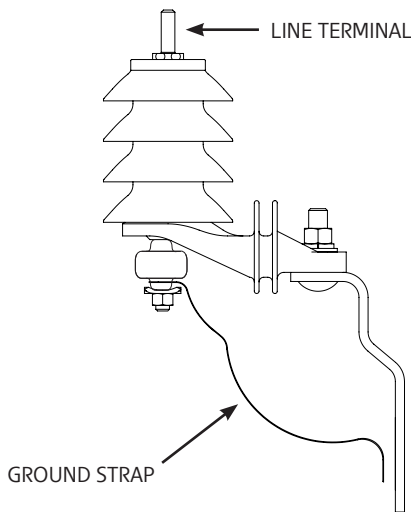


Figure 2. Transformer mounted fully assembled (bulk packed) arrester

Installation procedure

Installation instructions

Note: In the event that safety and operating procedures do not exist for installing this arrester to, or removing it from a circuit, we suggest the following:

1. Install all mounting hardware on the arrester. Torque the hanger bracket hex nut between 20 and 25 ft-lbs. See Figure 3 for NEMA brackets and Figure 4 for transformer brackets.

2. Select a mounting location as close as possible to the apparatus that the arrester is to protect. Make the line lead and ground lead as short as possible.
3. De-energize the electrical system.
4. Connect the ground lead to the arrester ground terminal stud. Torque the hex nut to 20 ft-lbs. maximum.

Note: Make the arrester ground connection as short and direct as possible to a solid, effective, permanent, low-resistance ground. If the arrester has a ground lead disconnecter, the ground lead must be flexible enough to allow the disconnecter to operate properly.

5. Connect the line lead to the arrester line terminal stud. Torque the hex nut to 20 ft-lbs. maximum. If using the eyebolt connector, torque the clamping nut to maximum 20 ft-lbs.

Note: The standard arrester terminals accommodate conductor sizes from AWG No. 6 solid through AWG 2/0 stranded.

6. Re-energize the electrical system.

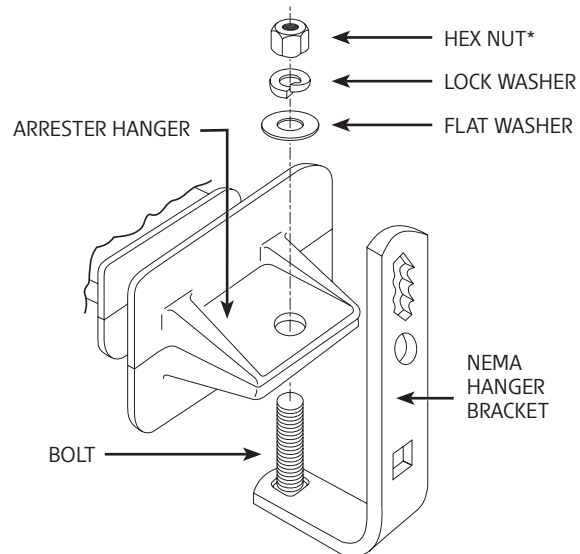


Figure 3. Installation of arrester to NEMA hanger bracket

* Torque requirement of hex nut is 20-25 ft-lbs.

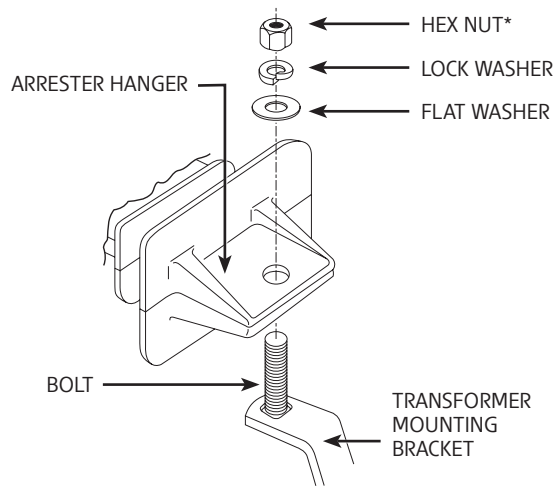


Figure 4. Installation of arrester to transformer mounting bracket

*Torque requirement of hex nut is 20-25 ft-lbs.

Field testing

All UltraSIL housed arresters have passed a complete series of production tests prior to shipment; therefore, no field testing is necessary.

CAUTION

Before performing any test on an arrester, contact your Eaton's Cooper Power series product sales engineer. Some test procedures may damage the arrester externally and/or internally, making it incapable of protecting the apparatus or the circuit on which it is installed, or shortening its service life significantly.

WARNING

Always consider an arrester to be energized until both the line and the ground leads have been disconnected from the circuit.

Removing an arrester from a circuit

1. De-energize the electrical system.
 2. Disconnect the arrester line lead(s) from the circuit.
- Note:** A small amount of static charge may be retained in an arrester when it is removed from an energized circuit.
3. Discharge the arrester by attaching the line terminal to a temporary ground.
 4. Mark the temporary ground to make sure it is removed before the arrester is reinstalled.
 5. Disconnect the arrester ground lead(s) from the circuit.
 6. Re-energize the electrical system.

Accessories

Wildlife protection

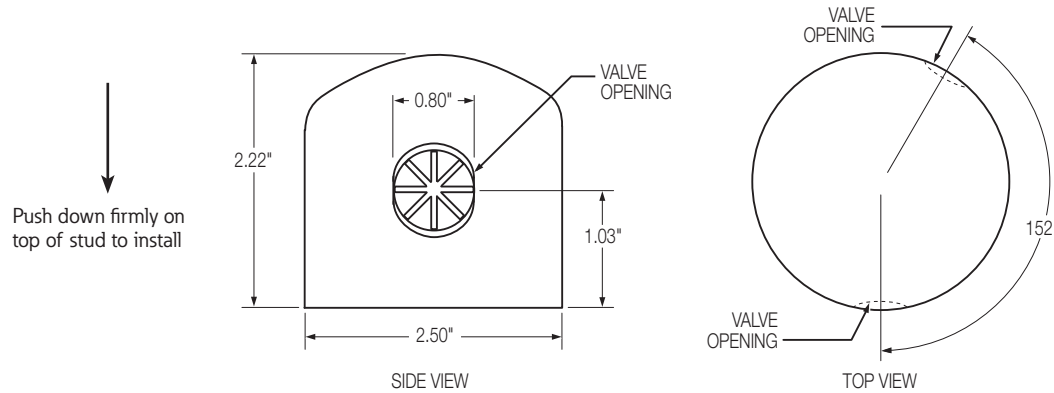


Figure 5. Universal wildlife protector (catalog number AV346X1C); all dimensions in inches

The universal wildlife protector has two self-adjusting “valve” style openings which vary from 0 to 0.75" in diameter, thus allowing for a large variety of conductor/insulation sizes while providing optimum wildlife protection.

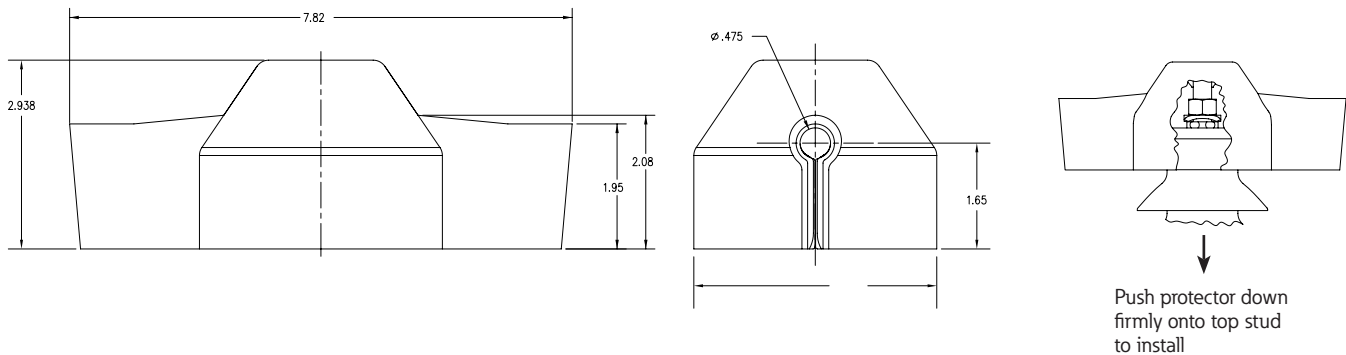


Figure 6. Line terminal wildlife guard (catalog number AV698X1C); all dimensions in inches

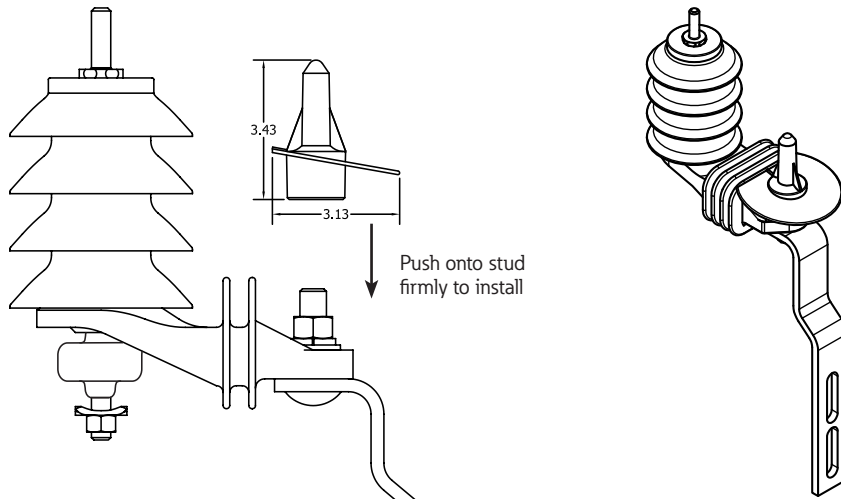


Figure 7. Ground terminal wildlife guard (catalog number AV731X1C); all dimensions in inches)

Note: Left shows attachment of ground terminal wildlife guard; right images shows ground terminal wildlife guard completely installed.

This page is intentionally left blank.

This page is intentionally left blank.



Eaton
1000 Eaton Boulevard
Cleveland, OH 44122
United States
Eaton.com

Eaton's Power Systems Division
2300 Badger Drive
Waukesha, WI 53188
United States
Eaton.com/cooperpowerseries

© 2016 Eaton
All Rights Reserved
Printed in USA
Publication No. MN235006EN
August 2016

Eaton is a registered trademark.

All trademarks are property
of their respective owners.

For Eaton's Cooper Power series product
information
call 1-877-277-4636 or visit:
www.eaton.com/cooperpowerseries.