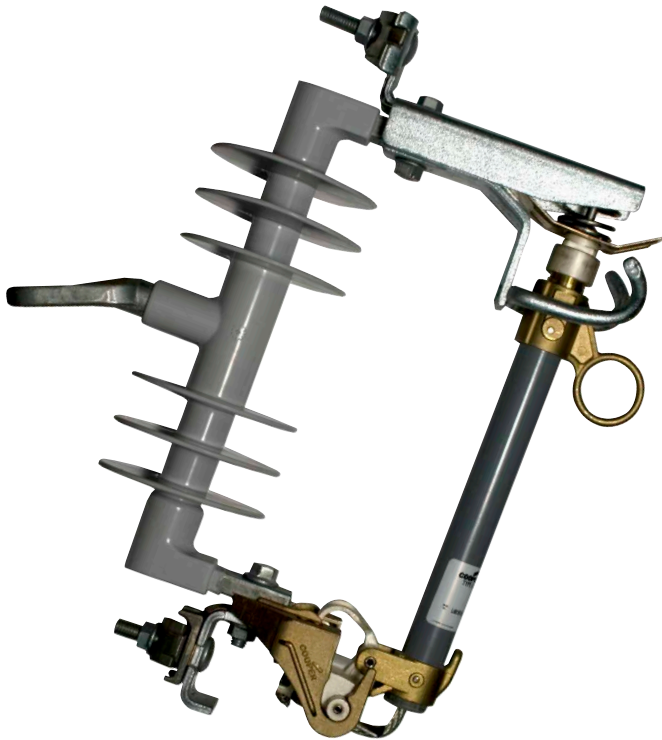


Increase your field productivity with Type L cutout product enhancements



Reduce your lineman's time in the field with an easy-to-identify and easy-to-install Eaton Cooper Power™ series Type L cutout for superior overcurrent protection. Extensive design enhancements affect both polymer and porcelain product lines.

Easy field identification

- **Sleet shield**
The shield is tapered near the end for easy identification in the field, reducing the time needed to select a replacement cutout. The new shield is also larger to further assist in deflecting ice and snow buildup on the upper contact of the cutout
- **Kick-out spring**
The added spring helps to ensure the fuse door falls open upon the fuse clearing, giving line crews clear visual indication of fuse operation to help speed detection and get customers' power back up and running quickly

Improved field operation

- **Upper door casting**
The new design prevents the possibility of overtravel and improper door latching, which can result in improper operation or possible premature failure
- **Fuse tensioning device**
The auto-centering design quickly and easily centers the leader within the fuse tube using a deeper trough for a more secure position. This also assists in better expulsion of fuse leader for more efficient clearing of high current faults
- **Top connector current path**
An updated plated-copper top-connector improves corrosion resistance in the upper current path
- **Polymer lined fuse door**
The synthetic fuse tube lining provides an arc quenching formulation while providing durable design without absorbing environmental moisture.

Easy field installation

- **New fuse door cap**
With two additional flats, the new door cap design allows quick tool orientation and faster, easier cap installation, tightening and removal
- **Lower door casting**
 - **Leader capture bolt**
The leader capture has changed from a nut to a bolt, and has been made the same size as the connector bolt, eliminating the need for additional tools. The extra long shaft allows the bolt to work on all sizes of fuse leaders
 - **Wider leader guides**
Secure installation of leaders from the larger size fuses is ensured with the new wider spaced guides and extra long bolt
 - **Leader spring**
Fastening of the fuse leader now more secure with no slippage as the leader spring features a deeper groove
- **Trunnion**
The opening is better positioned and allows for easier and faster hotstick installation of the door into the cutout
- **Upper door contact**
Less jarring and smoother door closing result from the improved angle of the upper contact. Reduced force is required to close the door into the frame—without compromising the connection's rigidity

EATON

Powering Business Worldwide

Type L cutout—enhancements for easy field identification, installation and better field operation

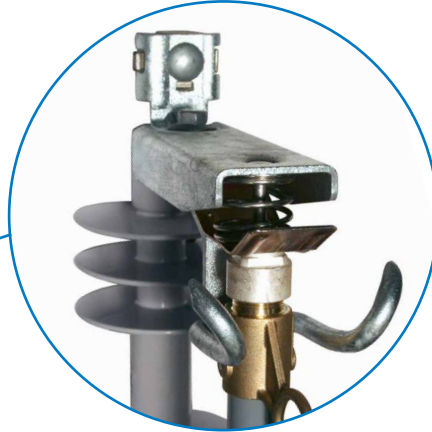
New fuse door cap and upper door casting

- Quick tool orientation
- Two additional flats for faster, easier cap installation, tightening and removal
- Prevents the possibility of overtravel



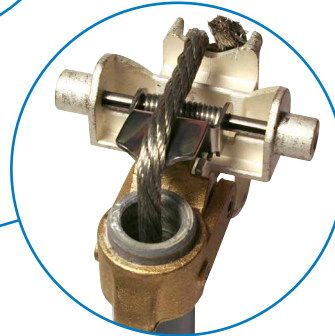
Sleet shield

- Larger to further assist in deflecting ice and snow buildup
- Tapered near the end for quick and easy field identification



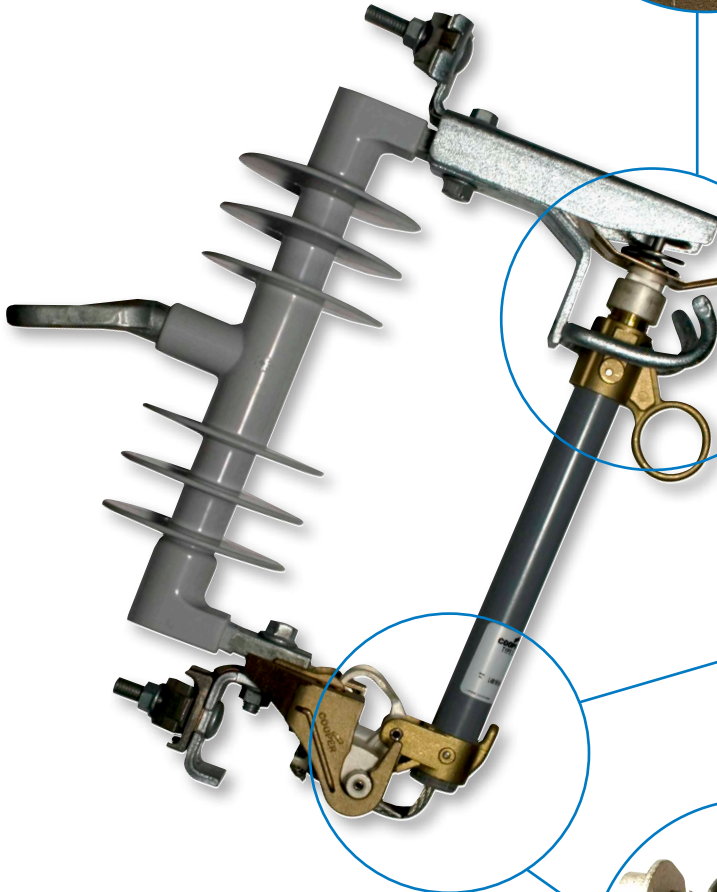
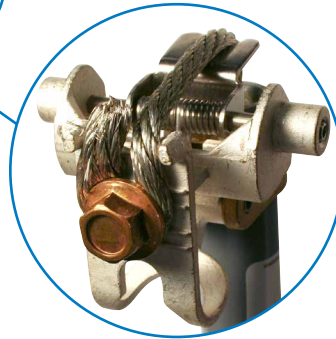
Fuse tensioning device

- Designed to give the optimal tension on fuse links
- Reliable and efficient fault clearing
- Quickly and easily centers the leader within the fuse tube
- Better expulsion of the fuse leader for more efficient fault clearing



Lower trunnion assembly

- Only one tool is required
- Extra long shaft allows the bolt to work on all sizes of fuse leaders
- Extra deep groove prevents fuse leader from slipping
- Fuse door kick out spring (Standard Offering)



Eaton
1000 Eaton Boulevard
Cleveland, OH 44122
United States
Eaton.com

Eaton's Power Systems Division
2300 Badger Drive
Waukesha, WI 53188
United States
Eaton.com/cooperpowerseries

© 2019 Eaton
All Rights Reserved
Printed in USA
Publication No. PA132024EN / Z20393
August 2019

For Eaton's Cooper Power series product information, call **1-877-277-4636** or visit:
Eaton.com/cooperpowerseries

Eaton is a registered trademark.
All other trademarks are property of their respective owners.

Follow us on social media to get the latest product and support information.

