

Premolded cable jacket seal



Description

Eaton's Cooper Power™ series cable jacket seal makes sealing underground jacketed cable quick and easy. The sealing device is designed for use when installing a 200 A elbow or another similar termination on jacketed concentric neutral cable, to seal the jacket stripback from contamination or moisture ingress. The cable jacket seal is molded from field-proven, in-house mixed EPDM semi-conductive rubber.

The elastic design of the cable seal allows total flexibility in positioning it on the cable. It can also be repositioned on the cable, or completely reused after its initial installation—something that is not possible with either coldshrink or heatshrink alternatives.

When installed in conjunction with the supplied mastic, the cable jacket seal protects the cable from airborne contaminants and water. This allows installation in high moisture or flooded environments without the fear of neutral corrosion, or moisture ingress into the cable, that would defeat the purpose of the cable jacket.

The rugged and reliable nature of the premolded cable jacket seal has been verified by its successful completion of Eaton's accelerated aging and sealing test as well as a mechanical Creep Resistance test that measures the seal's ability to withstand mechanical damage during and after installation.

EATON

Powering Business Worldwide

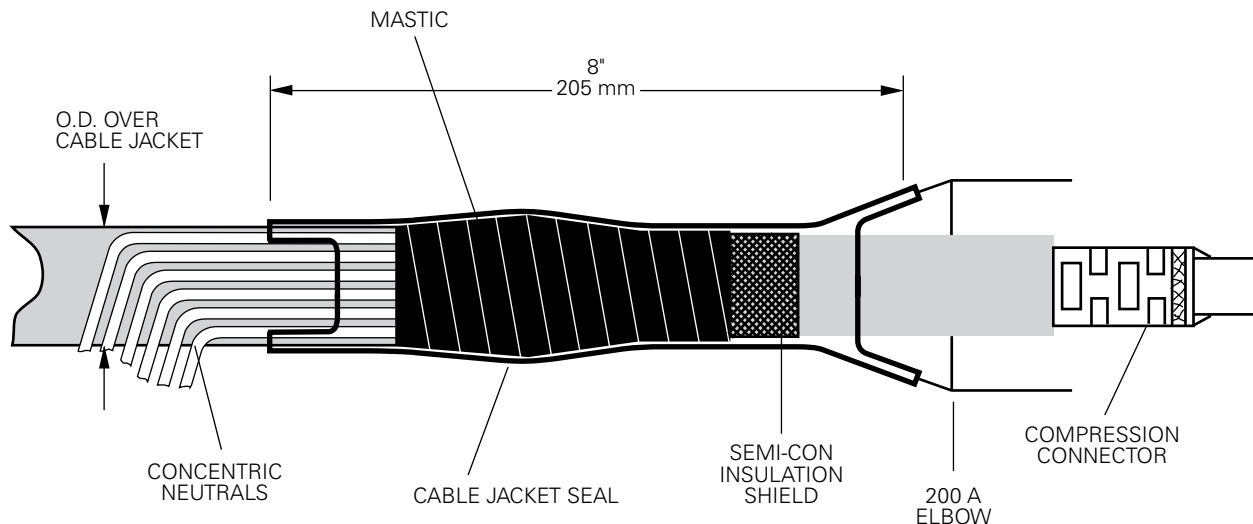


Figure 1. Cutaway illustration shows design detail and dimensions of jacket seal and cable..

Installation

No special tools, heat source or hand taping skills are required to install the cable jacket seal. The cable is pre- pared according to the instructions provided with the elbow termination. Concentric neutral strands are bound down and twisted to form a single conductor for grounding the cable. Mastic tape, supplied in the sealing kit, is applied beneath and over the concentric neutrals. The cable seal is then pulled down over the cable.

Using the top pull tabs, the seal is pulled back on to itself far enough to install the elbow or terminator onto the cable. Once the elbow is installed, the cable seal is pulled back up and over the cable entrance of the elbow, completing the sealing operation. Maximum length of area to be sealed should not exceed 2.5 inches.

Ordering information

The jacket seal kit is packaged in a heavy-duty, sealed polyethylene bag. Fifty individual kits are packed to a single multipak box.

Each kit contains:

- Premolded cable jacket sealing body
- Mastic
- Silicone lubricant
- Installation Instructions

To order a cable jacket sealing kit, determine the outer diameter of the URD cable (DIAMETER OVER THE CABLE JACKET). Then, identify the cable diameter range that brackets the minimum and maximum cable diameter, from Table 1. Select the cable range code from the right hand column. Use the cable range code to complete the base catalog number.

JS200 Cable Range Code

Example:

To order a jacket sealing kit that accommodates a cable with a nominal outer diameter of 1.2 inches, specify: **JS200D**

Table 1. Cable Outer Range Chart (DIAMETER OVER JACKET)

Cable Outer Diameter Range		Cable Range Code
Inches	Millimeters	
0.866–1.14	22.0–29.0	B
1.02–1.42	26.0–36.0	D
1.22–1.73	31.0–44.0	F

Jacket sealing kits can also be ordered as part of an existing 200 A elbow kit. Contact your Eaton representative for details.

Eaton
1000 Eaton Boulevard
Cleveland, OH 44122
United States
Eaton.com

Eaton's Cooper Power Systems Division
2300 Badger Drive
Waukesha, WI 53188
United States
Eaton.com/cooperpowerseries

© 2015 Eaton
All Rights Reserved
Printed in USA
Publication No. CA650067EN

Eaton is a registered trademark.
All other trademarks are property of their respective owners.

For Eaton's Cooper Power series product information call 1-877-277-4636 or visit: www.eaton.com/cooperpowerseries.