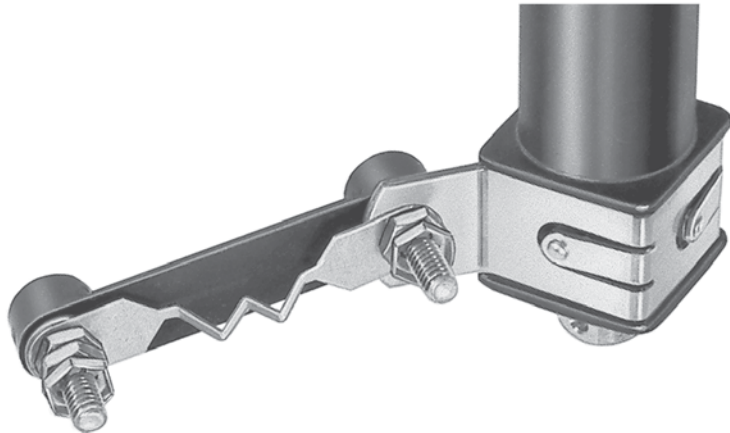


Isolation link



General

Eaton provides extra protection during refusing and switching operations when used in series with isolation links from its Cooper Power™ series Bay-O-Net type fuse or its Cooper Power series MagneX™ interrupter.

Isolation links are not fuses and do not have an interrupting rating. During a transformer failure, the isolation link will melt so that the opened primary circuit of a faulted transformer cannot be re-energized by the line crew.

Applications

Bay-O-Net assemblies

Isolation links are used in series with Eaton's Cooper Power series Bay-O-Net type expulsion fuses to provide extra protection during re-fusing operations. They are coordinated to operate at high current levels that are typical of a transformer failure.

MagneX interrupter

Isolation links are also used in series with the MagneX interrupter to provide extra protection during switching operations. The MagneX interrupter isolation link has arc shortening tabs to reduce the arc length and thus reduce the I^2t energy released during operation. They are coordinated to operate at high current levels that are typical of a transformer failure.

Installation

No special tools are required. Isolation links are bolted onto Bay-O-Net fuse assemblies or MagneX interrupters in series between the primary transformer bushing and primary coil. Refer to *Service Information MN132003EN Sidewall-Mounted and Cover-Mounted Bay-O-Net Fuse Assembly Installation Instructions* and *MN132004EN (S240-34-1) Single-Phase MagneX Interrupter Installation Instructions* for details.

Ordering information

To order Eaton's Cooper Power series isolation link, first refer to Catalog Data CA132009EN (current sensing), CA132010EN (dual sensing), CA132011EN (dual element), or CA132007EN (high ampere overload) for details on corresponding Bay-O-Net fuses, or Catalog CA132016EN for details on MagneX interrupter elements. For the fuse elements, use Table 1 to cross reference the isolation link required. For the MagneX interrupter elements, use Table 2 to cross-reference the appropriate element.

EATON

Powering Business Worldwide

Features and detailed description

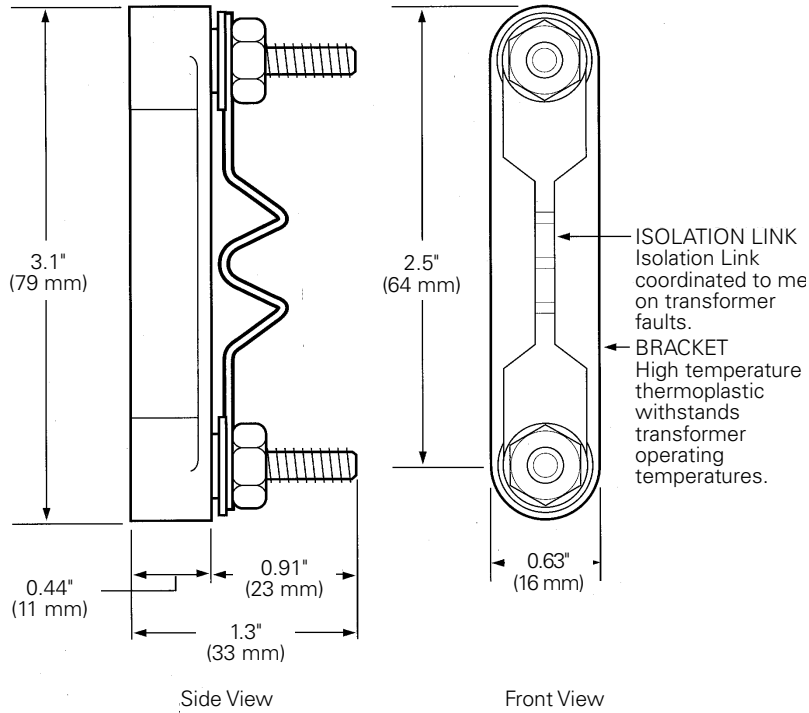


Figure 1. Dimensional information of isolation links for Bay-O-Net fuses.

Note: Dimensions given are for reference only.

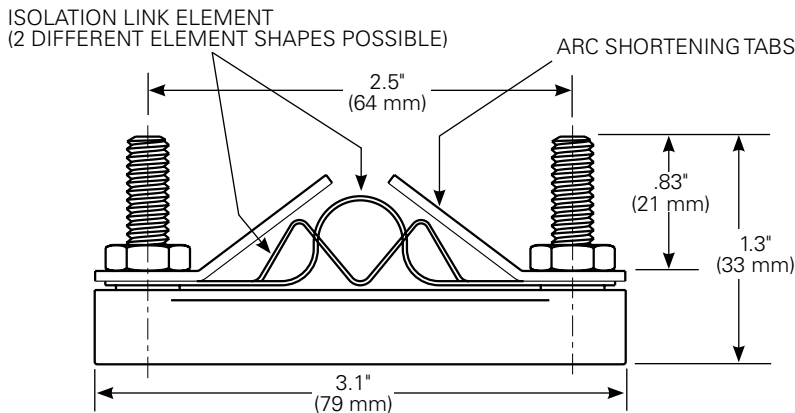


Figure 2. Dimensional information of isolation links for MagneX interrupter applications.

Note: Dimensions given are for reference only.

Table 2. Fuse Combinations (23 kV max.)

Bay-O-Net Fuse	Isolation Link
Current Sensing Fuses	
4000353C04	3001861A01M
4000353C06	3001861A02M
4000353C08	3001861A02M
4000353C10	3001861A03M
4000353C12	3001861A03M
4000353C14	3001861A05M
4000353C16	3001861A05M
4000353C17	3001861A05M
Dual Sensing Fuses	
4000358C03	3001861A01M
4000358C05	3001861A02M
4000358C08	3001861A03M
4000358C10	3001861A05M
4000358C12	3001861A06M
4000358C14	3001861A07M
4000358C16CB	3001861A07M
4000358C18CB	3001861A07M
Dual Element Fuses	
4038108C03	3001861A01M
4038108C04	3001861A01M
4038108C05	3001861A02M
4038108C06	3001861A02M
4038108C07	3001861A02M
4038108C09	3001861A03M
4038108C11	3001861A03M
4038108C12	3001861A03M
4038108C14	3001861A05M
High Ampere Overload Fuses	
4038361C03CB	3001861A05M
4038361C04CB	3001861A05M
4038361C05CB	3001861A06M

Table 1. Isolation Link - MagneX Correlation Chart (23 kV max.)

Sensor Number	Isolation Link
E01	3637803B01
E03	3637803B08
E06	3637803B02
E10	3637803B09
E12	3637803B10
E18	3637803B03
E25	3637803B03
E30	3637803B05
E40	3637803B05
E50	3637803B05

Eaton
 1000 Eaton Boulevard
 Cleveland, OH 44122
 United States
 Eaton.com

Eaton's Cooper Power Systems Division
 2300 Badger Drive
 Waukesha, WI 53188
 United States
 Cooperpower.com

© 2015 Eaton
 All Rights Reserved
 Printed in USA
 Publication No. CA132012EN

Eaton, Cooper Power, and MagneX are valuable trademarks of Eaton in the U.S. and other countries. You are not permitted to use these trademarks without the prior written consent of Eaton.

For Eaton's Cooper Power series isolation link product information call 1-877-277-4636 or visit: www.cooperpower.com.