

# EL Bay-O-Net current-limiting fuse assembly



## General

Eaton's Cooper Power™ series EL Bay-O-Net fuse assembly is used to mount the ELS current-limiting fuse in fluid-filled distribution apparatus. The fuse assembly provides the operating convenience of the versatile Bay-O-Net expulsion fuse with the energy-limiting capabilities of the current-limiting fuses.

The outer housing, inner holder and handle are made of high strength thermoplastic for application on high-voltage systems at elevated temperatures. An arc follower attached to the lower end of the fuse aids loadbreak switching.

## Installation

No special tools are required. The outer tube is installed into the apparatus side wall and gasket sealed. Refer to *Service Information S240-70-1 EL Bay-O-Net Current-Limiting Fuse Installation Instructions*.

**EATON**

Powering Business Worldwide

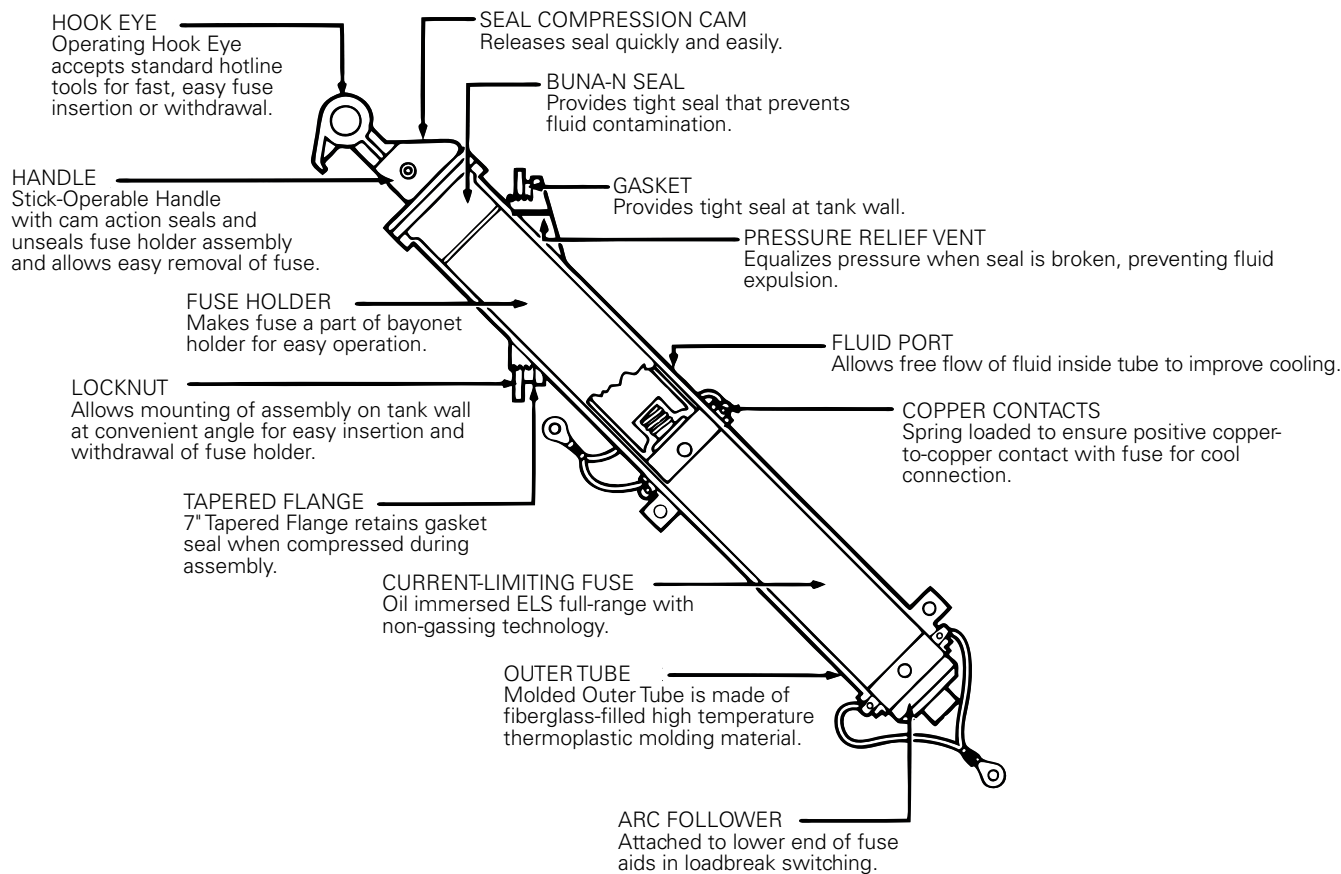


Figure 1. Cutaway shows feature detail with current-limiting fuse mounted.

Table 1. Electrical Ratings and Characteristics

Description	kV
Voltage Rating	8.3, 15.5, 23.0
<b>AC 60 Hz 1 Minute Withstand</b>	
8.3 kV	50
15.5 kV	50
23.0 kV	50
<b>BIL and Full Wave Crest</b>	
8.3 kV	150
15.5 kV	150
23.0 kV	150
<b>Minimum Distance from System Ground</b>	
8.3 kV	1.1 in. (28 mm)
15.5 kV	1.5 in. (39 mm)
23.0 kV	2.5 in. (64)
Loadbreak Rating	100 A at 80% pf

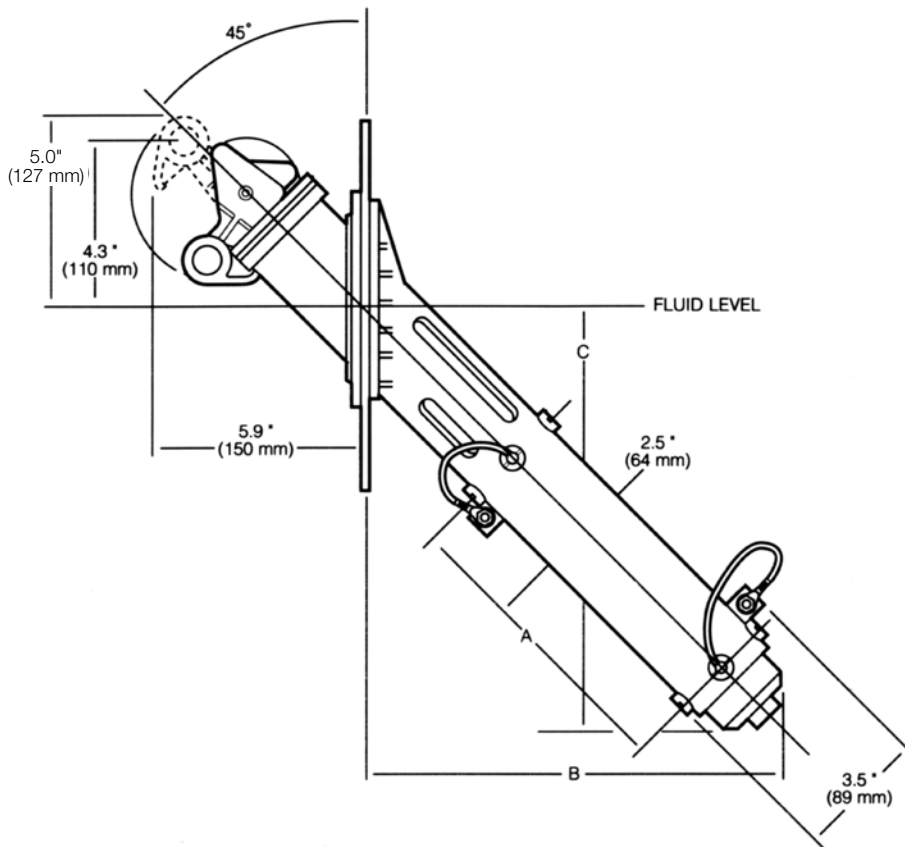


Figure 2. Line drawing shows application fluid level and dimensional information.

Note: Dimensions given are for reference only.

Table 2. Dimensional Information in./(mm)

Length	8.3 kV	15.5 and 23.0 kV
A	8.22 (209)	16.29 (414)
B	11.31 (287)	17.0 (432)
C	11.65 (296)	17.25 (438)

Ordering information

To order an EL Bay-O-Net fuse assembly, refer to Tables 3 and 4.

Table 3. EL Bay-O-Net Fuse Assemblies

Description	Catalog Number
<b>8.3 kV</b>	
Assembly with 1/4 inch gasket	4004697B01M
Assembly with 3/16 inch gasket	4004697B02M
Solid Link Disconnect	4025117B51
<b>15.5 and 23.0 kV</b>	
Assembly with 1/4 inch gasket	4004697B03M
Assembly with 3/16 inch gasket	4004697B04M
Solid Link Disconnect	4025117B52

Table 4. Replacement Parts

Description	Catalog Number
El Bay-O-Net Stabber (Fuse Holder)	4004693B01
Arc Follower	4025637A01
1/4 inch Gasket	0537980C10
3/16 inch Gasket	0537980C11
Locknut	4009925A01

**Eaton**  
1000 Eaton Boulevard  
Cleveland, OH 44122  
United States  
Eaton.com

**Eaton's Cooper Power Systems Division**  
2300 Badger Drive  
Waukesha, WI 53188  
United States  
Eaton.com/cooperpowerseries

© 2015 Eaton  
All Rights Reserved  
Printed in USA  
Publication No. CA132039EN

Eaton is a registered trademark.  
All other trademarks are property  
of their respective owners.

For Eaton's Cooper Power series product  
information call 1-877-277-4636 or visit:  
[www.eaton.com/cooperpowerseries](http://www.eaton.com/cooperpowerseries).