

Type ED distribution enclosed air switch

General

Eaton's Cooper Power™ series Type ED switch is a distribution enclosed single-pole air switch rated at 7.8 kV, 75 kV BIL, 400 and 600 A continuous current. The Type ED porcelain-housed disconnect switch provides flexibility and safety in distribution switching. The crossarm mounting bracket is designed for vertical and angle mounting and can also be converted to a pole mounting bracket. Terminals on Type ED switch accommodate No. 4/0 through 500 MCM wire. See Table 1 for electrical characteristics and ordering information. See Figure 2 for dimensions for the Type ED switch.

When the switch is in the completely open position, the switchblade hangs below the porcelain housing, providing a positive indication that the switch is open. All live parts are protected by the closed-door design, whether the blade is in the open or closed position. A door detent is provided which securely holds the door open or closed, to allow for safe switch operation.

A quick-break mechanism on both the 400- and 600 A models effectively interrupts transformer-magnetizing current.

The Type ED air switch meets all requirements set forth in ANSI® Standard C37.45-1981.



Powering Business Worldwide

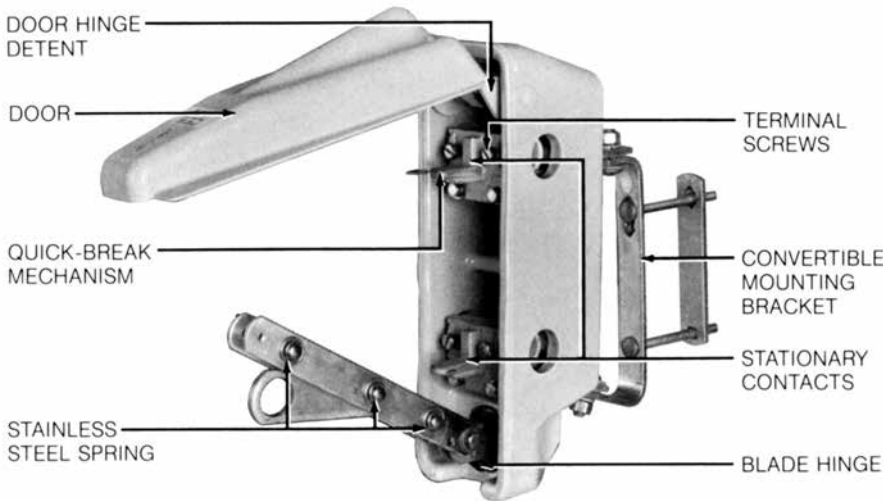


Figure 1. Type ED switch.

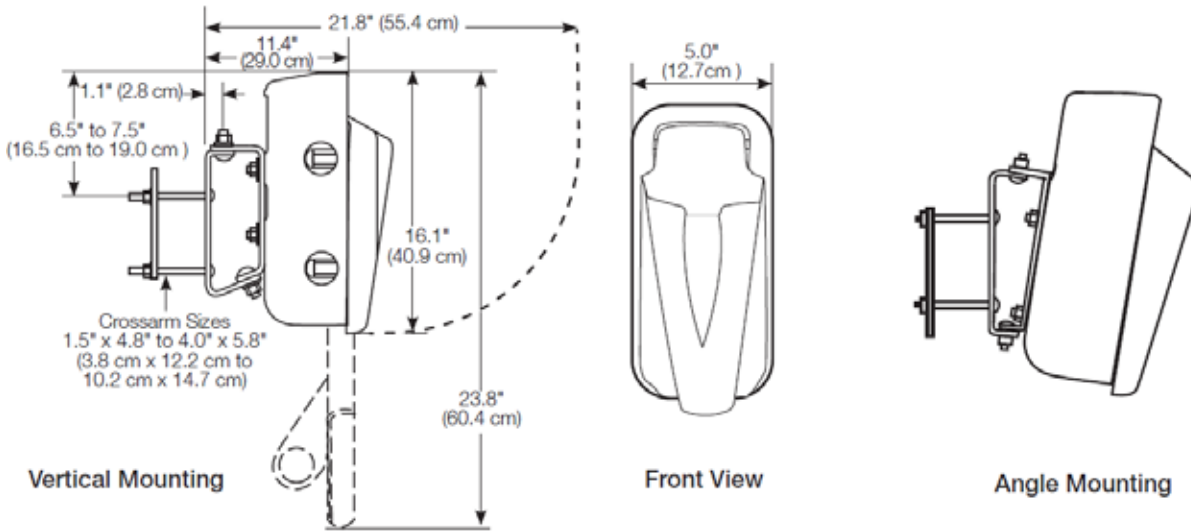


Figure 2. Dimensions for Type ED switch.

Table 1. Electrical Characteristics and Ordering Information

Catalog Number	Maximum Design Voltage Rating (kV)	Continuous Current (amp)	Momentary Rating (amps rms)	Impulse Withstand Voltage (BIL) - 1.2 x 50 Microsecond Wave (kV)	Minimum Power-Frequency Withstand (kV rms)	Shipping weight lb (kg)
FW4A1	7.8	400	20000	75	27 24	29.1 (13.2)
FW3A1	7.8	600	20000	75	27 24	29.6 (13.4)

Eaton
 1000 Eaton Boulevard
 Cleveland, OH 44122
 United States
 Eaton.com

Eaton's Cooper Power Systems Division
 2300 Badger Drive
 Waukesha, WI 53188
 United States
 Eaton.com/cooperpowerseries

© 2016 Eaton
 All Rights Reserved
 Printed in USA
 Publication No. CA132057EN

Eaton is a registered trademark.
 All other trademarks are property of their respective owners.

For Eaton's Cooper Power series product information call 1-877-277-4636 or visit: www.eaton.com/cooperpowerseries.