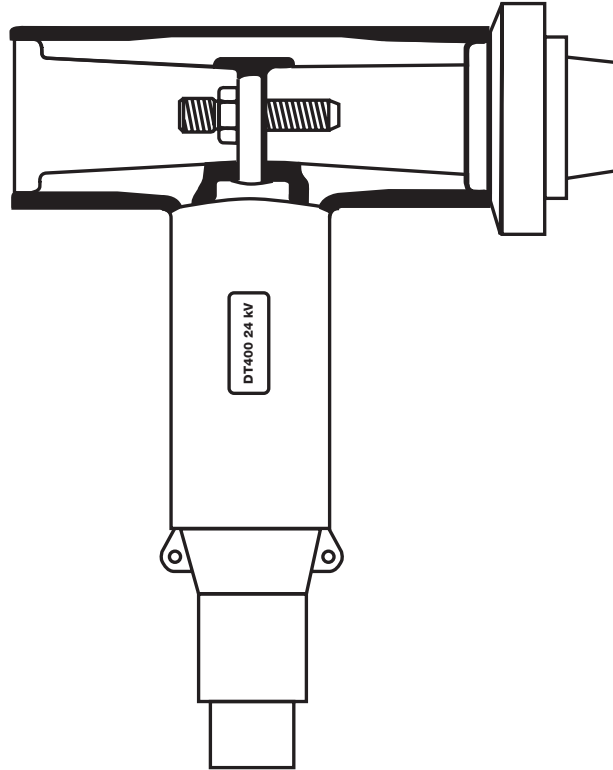


DPC400 & DPC436 Connecting plug installation instructions



DISCLAIMER OF WARRANTIES AND LIMITATION OF LIABILITY

The information, recommendations, descriptions and safety notations in this document are based on Eaton Corporation's ("Eaton") experience and judgment and may not cover all contingencies. If further information is required, an Eaton sales office should be consulted. Sale of the product shown in this literature is subject to the terms and conditions outlined in appropriate Eaton selling policies or other contractual agreement between Eaton and the purchaser.

THERE ARE NO UNDERSTANDINGS, AGREEMENTS, WARRANTIES, EXPRESSED OR IMPLIED, INCLUDING WARRANTIES OF FITNESS FOR A PARTICULAR PURPOSE OR MERCHANTABILITY, OTHER THAN THOSE SPECIFICALLY SET OUT IN ANY EXISTING CONTRACT BETWEEN THE PARTIES. ANY SUCH CONTRACT STATES THE ENTIRE OBLIGATION OF EATON. THE CONTENTS OF THIS DOCUMENT SHALL NOT BECOME PART OF OR MODIFY ANY CONTRACT BETWEEN THE PARTIES.

In no event will Eaton be responsible to the purchaser or user in contract, in tort (including negligence), strict liability or otherwise for any special, indirect, incidental or consequential damage or loss whatsoever, including but not limited to damage or loss of use of equipment, plant or power system, cost of capital, loss of power, additional expenses in the use of existing power facilities, or claims against the purchaser or user by its customers resulting from the use of the information, recommendations and descriptions contained herein. The information contained in this manual is subject to change without notice.

Contents

DISCLAIMER OF WARRANTIES AND LIMITATION OF LIABILITY I

SAFETY FOR LIFE III

SAFETY INFORMATION III

 Safety instructions iii

SEPARABLE CABLE JOINT 2



Safety for life



Eaton's Cooper Power series products meet or exceed all applicable industry standards relating to product safety. We actively promote safe practices in the use and maintenance of our products through our service literature, instructional training programs, and the continuous efforts of all Eaton employees involved in product design, manufacture, marketing and service.

We strongly urge that you always follow all locally approved safety procedures and safety instructions when working around high-voltage lines and equipment and support our "Safety For Life" mission.

Safety information

The instructions in this manual are not intended as a substitute for proper training or adequate experience in the safe operation of the equipment described. Only competent technicians, who are familiar with this equipment should install, operate and service it.

A competent technician has these qualifications:

- Is thoroughly familiar with these instructions.
- Is trained in industry-accepted high- and low-voltage safe operating practices and procedures.
- Is trained and authorized to energize, de-energize, clear, and ground power distribution equipment.
- Is trained in the care and use of protective equipment such as flash clothing, safety glasses, face shield, hard hat, rubber gloves, clampstick, hotstick, etc.

Following is important safety information. For safe installation and operation of this equipment, be sure to read and understand all cautions and warnings.

Hazard Statement Definitions

This manual may contain four types of hazard statements:

 DANGER

Indicates a hazardous situation which, if not avoided, will result in death or serious injury.

 WARNING

Indicates a hazardous situation which, if not avoided, could result in death or serious injury.

 CAUTION

Indicates a hazardous situation which, if not avoided, may result in minor or moderate injury.

CAUTION

Indicates a hazardous situation which, if not avoided, may result in equipment damage only.

Safety instructions

Following are general caution and warning statements that apply to this equipment. Additional statements, related to specific tasks and procedures, are located throughout the manual.

 DANGER

Hazardous voltage. Contact with high voltage will cause death or severe personal injury. Follow all locally approved safety procedures when working around high- and low-voltage lines and equipment.

 WARNING

Before installing, operating, maintaining, or testing this equipment, carefully read and understand the contents of this manual. Improper operation, handling or maintenance can result in death, severe personal injury, and equipment damage.

 WARNING

This equipment is not intended to protect human life. Follow all locally approved procedures and safety practices when installing or operating this equipment. Failure to comply may result in death, severe personal injury and equipment damage.

 WARNING

Power distribution and transmission equipment must be properly selected for the intended application. It must be installed and serviced by competent personnel who have been trained and understand proper safety procedures. These instructions are written for such personnel and are not a substitute for adequate training and experience in safety procedures. Failure to properly select, install or maintain power distribution and transmission equipment can result in death, severe personal injury, and equipment damage.

DPC400 & DPC436 Connecting plug installation instructions

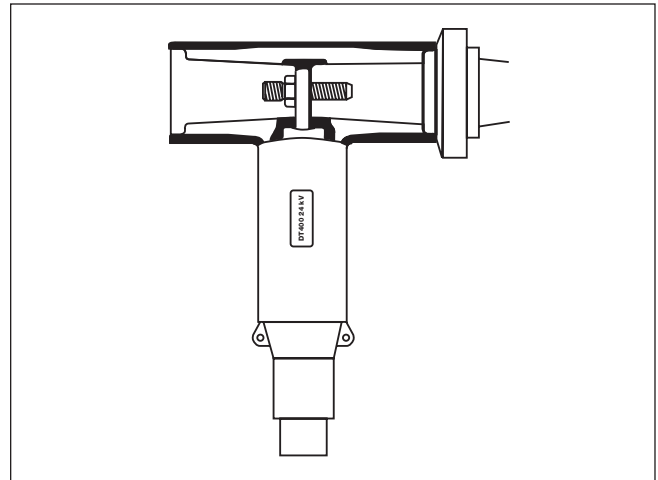
Complete connector kit includes:

- 1 – connecting plug
- silicone lubricant
- paper towel
- installation instructions

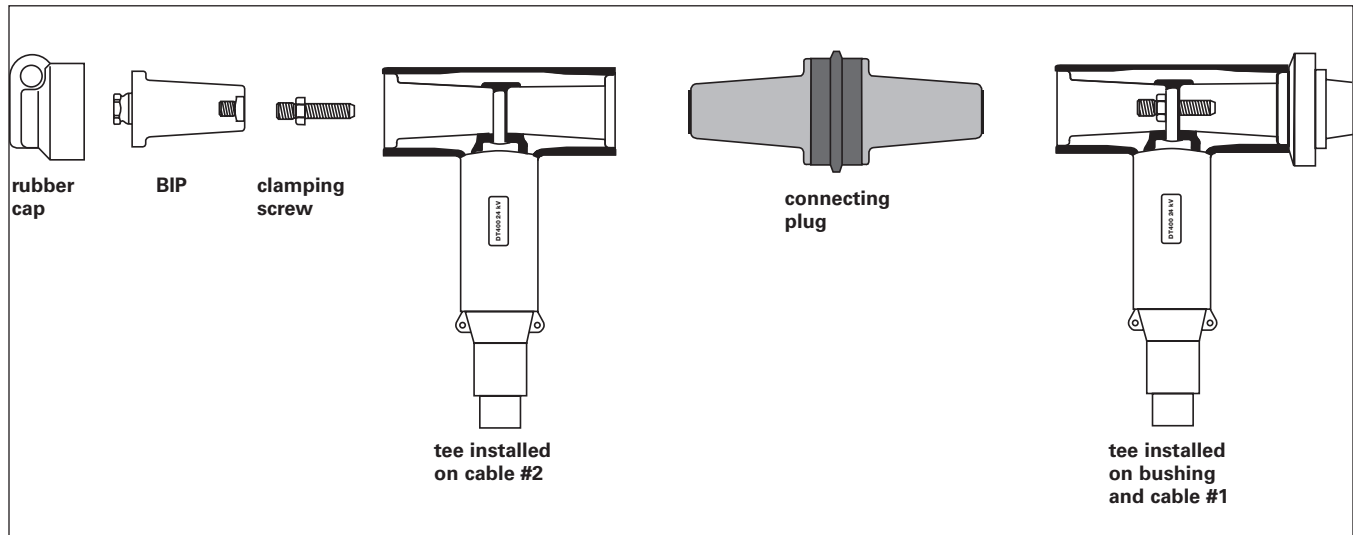
Dual Cable arrangement on apparatus

Step 1

1. Install a tee connector to the first cable and the apparatus bushing in accordance with the instructions supplied with the tee, but do not install the basic insulating plug or rubber cap.



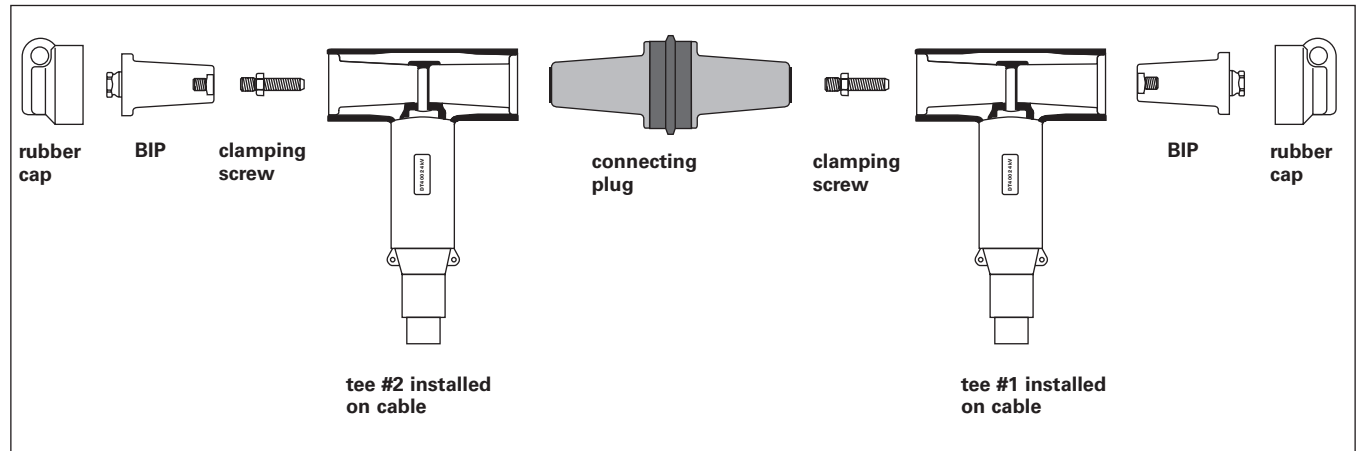
Step 2



1. Clean the exposed tee interface and one interface of the connecting plug with a lint-free cloth and apply a thin layer of supplied silicone lubricant to each.
2. Insert the connecting plug into the tee and engage the threads of the clamping screw, taking care to avoid cross-threading.
3. Tighten the connecting plug to a torque of 50 Nm with a 10 mm hex wrench.
4. Install the second tee connector, including the basic insulating plug and rubber cap, to the second cable and the remaining connecting plug interface. Ensure that the long side of the clamping screw is inserted through the crimp connector and into the connecting plug.

Separable Cable Joint

Step 3



1. Prepare the first cable and install the crimp connector, cable adapter, and moulded tee connector in accordance with the instructions supplied with the tee (#1).
2. Clean one interface of tee #1 and the interface of the basic insulating plug with a lint-free cloth and apply a thin layer of silicone lubricant to each.
3. Insert the basic insulating plug into the prepared tee interface, through the hole in the crimp connector, and engage the threads of the basic insulating plug. Take care to avoid cross-threading or scratching the interface of the tee. Tighten the clamping screw to 50 Nm.
4. Clean the other interface of tee #1 and one interface of the connecting plug with lint-free cloth and apply a thin layer of silicone lubricant to each.
5. Insert the connecting plug into the tee and engage the threads of the clamping screw, taking care to avoid cross-threading. Tighten the connecting plug to 50 Nm with a 10 mm hex wrench.
6. Prepare the second cable and install the crimp connector, cable adapter, and moulded tee connector in accordance with the instructions supplied with the tee (#2).
7. Clean one interface of tee #2 and the other connecting plug interface. Apply a thin layer of silicone lubricant. Install tee #2 onto the connecting plug and insert the long end of the clamping screw through the hole in the crimp connector and engage the threads of the connecting plug. Take care to avoid cross-threading or scratching the interface of the tee. Torque the clamping screw to 50 Nm.
8. To assemble a three-way or four-way joint, repeat steps 4-7 above with additional tees and connecting plugs.
9. Clean and assemble the last moulded tee and basic insulating plug in accordance with the instructions. Tighten the plug to a torque of 50 Nm.
10. Clean the exterior surface of the basic insulating plugs and the inside surface of the rubber caps. Position each cap on a plug and push firmly until it snaps into place.

This page intentionally left blank.



Eaton
1000 Eaton Boulevard
Cleveland, OH 44122
United States
Eaton.com

Eaton's Power Systems Division
2300 Badger Drive
Waukesha, WI 53188
United States
Eaton.com/cooperpowerseries

EATON
Powering Business Worldwide

© 2016 Eaton
All Rights Reserved
Printed in USA
Publication No. MN650033EN
November 2016

Eaton is a registered trademark.

All trademarks are property
of their respective owners.

For Eaton's Cooper Power series product
information
call 1-877-277-4636 or visit:
www.eaton.com/cooperpowerseries.