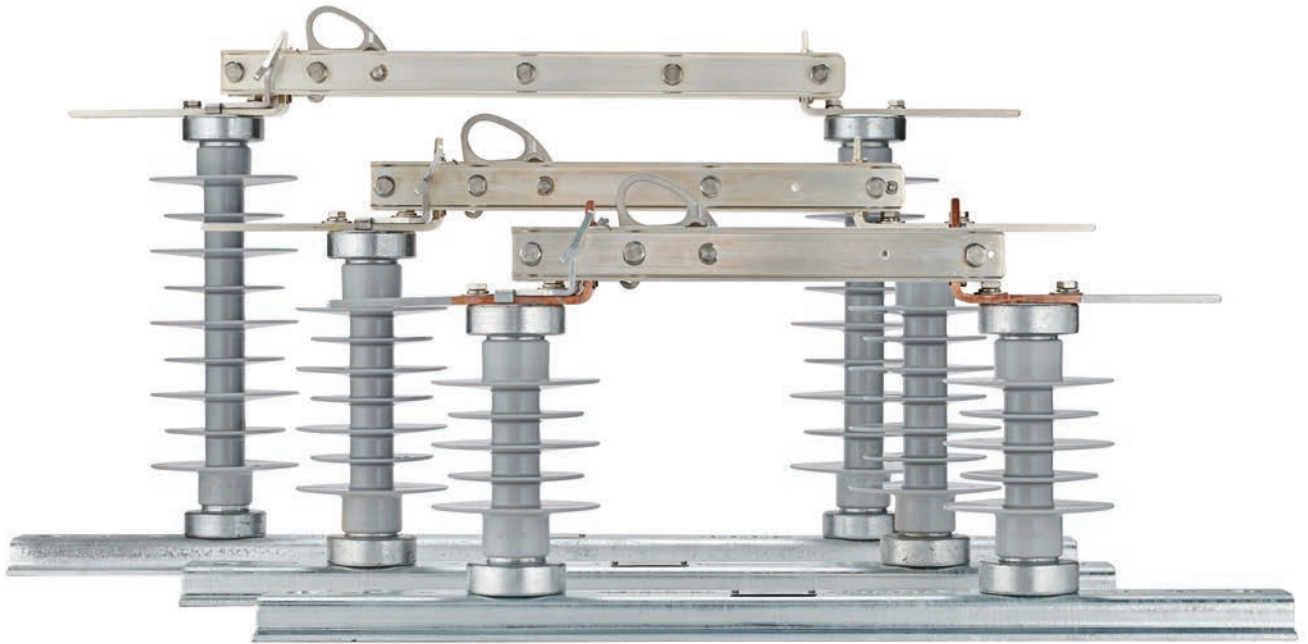


D-73P disconnect and bypass switches



Contents

| Description | Page |
|--|------|
| D-73P disconnect switch | 2 |
| D-73P3 bypass switch | 5 |
| D-73P-CD cutout disconnect switch | 9 |
| D-73P-LT distribution-class line tap disconnect switch | 10 |
| D-73P-VS distribution-class V-style crossarm switch | 11 |
| D-73P-TS distribution-class in-line disconnect switch | 15 |



Powering Business Worldwide

D-73P disconnect switch

Eaton has set the new standard of excellence for polymer distribution-class disconnect switches with the introduction of its Cooper Power™ series UltraSIL™ polymer-insulated disconnect switches. Eaton's Cooper Power series D-73P distribution-class, single throw disconnect switch provides a durable, rugged light weight switch for line sectionalizing or isolating equipment on distribution circuits up to 38 kV. These switches are quality constructed to ensure stable high current capability and full thermal capacity under the required duties of today's load and short circuit conditions.

Features and detailed description

Application

The D-73P disconnect switch is a single-phase hookstick-operated switch to sectionalize or isolate overhead lines on electrical distribution systems up to 38 kV. The switch can be mounted in a vertical, underhung, pole-mounted, or single/double cross arm configuration. A variety of terminal connections are available to customize this switch to fit the user's needs. Contact your Eaton representative for more information.

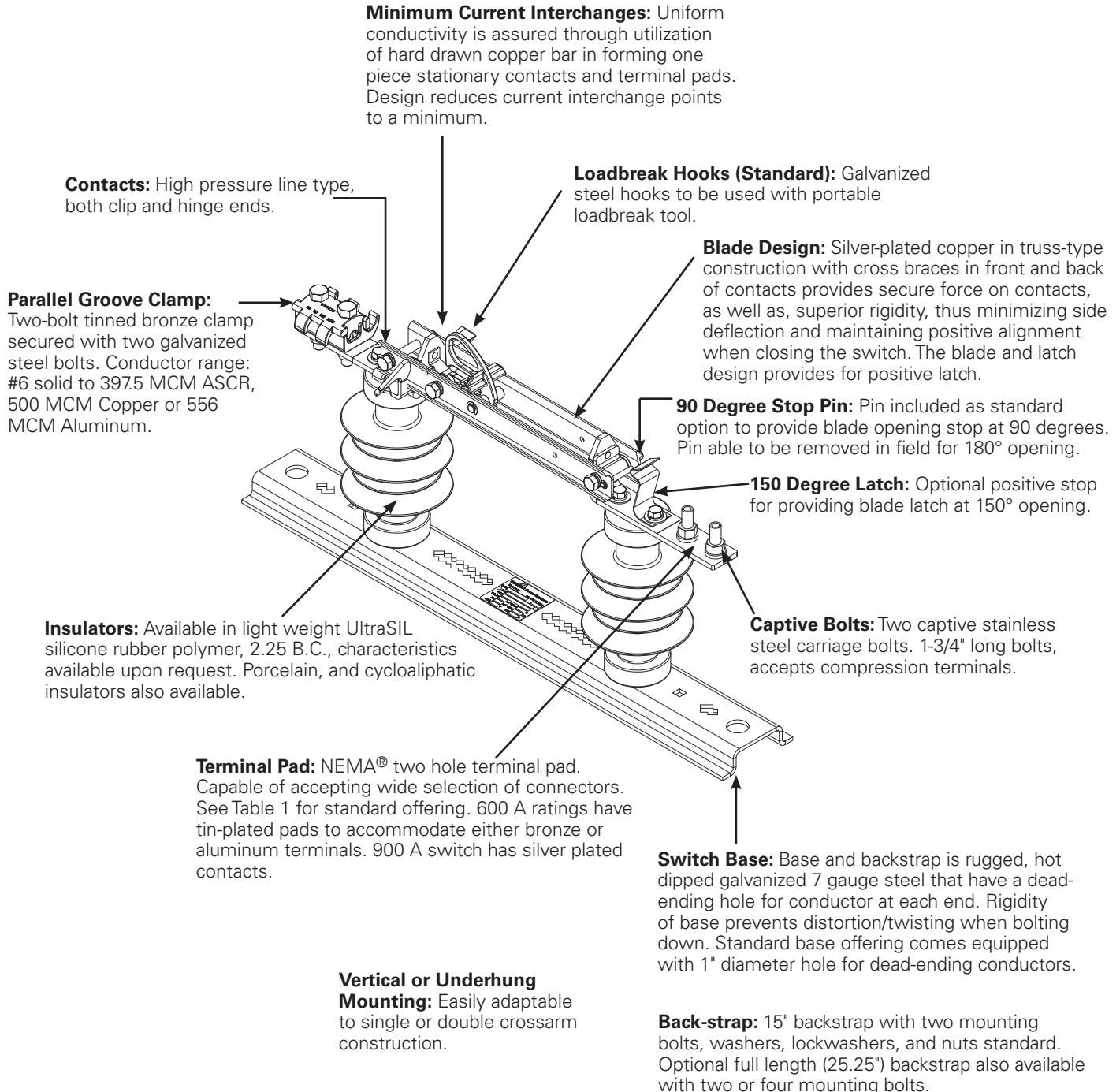


Figure 1. D-73P disconnect switch with features.

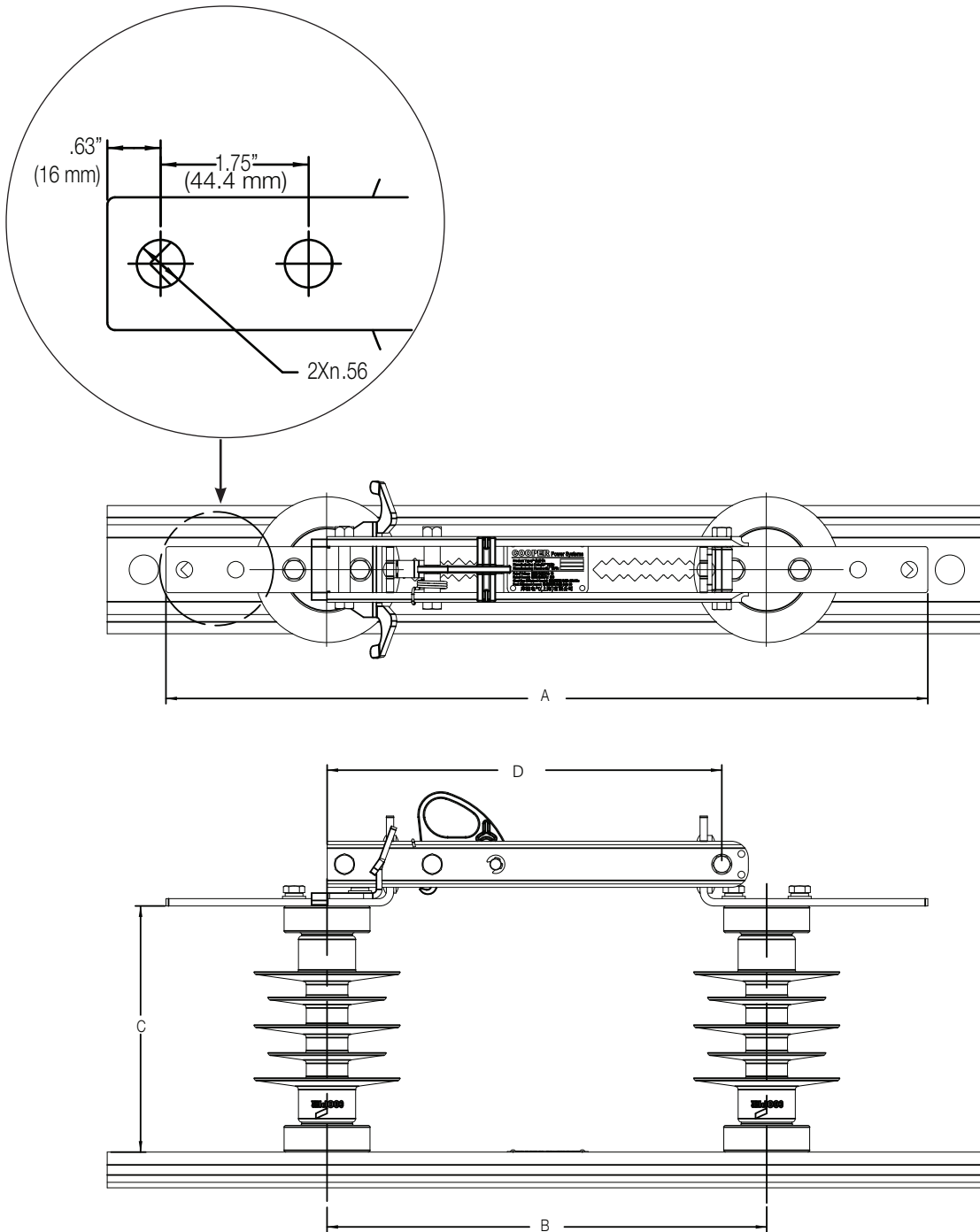
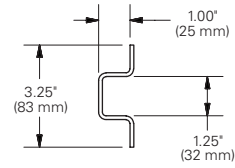
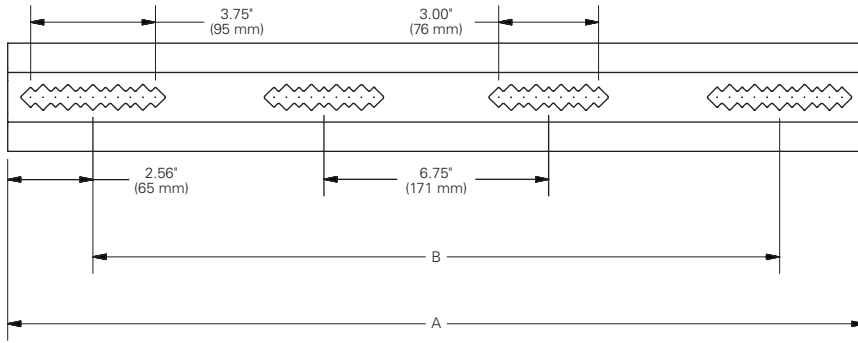


Figure 2. D-73P dimensional data.

Table 1. D-73P Disconnect Switch Ratings

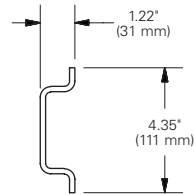
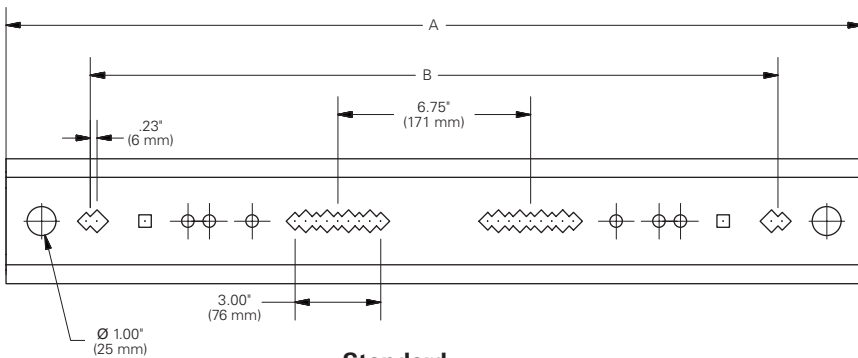
| Insulation Material | Ratings* | | | Catalog Number | | Dimensional Data in. (mm) | | | | | Insulator Mechanical Ratings | | | |
|---------------------|----------------|--------|---------|----------------|----------|---------------------------|----------|------------|-------------|------------|------------------------------|------------|-----------------|------------------|
| | kV Max. Design | BIL kV | Mom. kA | 600 A | 900 A | A | B | C | D | Creep | Switch Weight lb. | Cantilever | Tension, pounds | Torsion ft - lbs |
| UltraSIL Polymer | 15.5 | 110 | 40 | D73P16S0 | D73P19S0 | 26 (660) | 15 (381) | 8.4 (213) | 14.38 (365) | 20.2 (513) | 26.5 | 1350 | 5000 | 350 |
| UltraSIL Polymer | 27 | 125 | 40 | D73P26S0 | D73P29S0 | 26 (660) | 15 (381) | 8.4 (213) | 14.38 (365) | 20.2 (513) | 26.5 | 1350 | 5000 | 350 |
| UltraSIL Polymer | 27 | 150 | 40 | D73P36S0 | D73P39S0 | 29 (737) | 18 (457) | 10.8 (274) | 16.75 (425) | 28 (711) | 33 | 1350 | 5000 | 350 |
| UltraSIL Polymer | 38 | 150 | 40 | D73P46S0 | D73P49S0 | 29 (737) | 18 (457) | 10.8 (274) | 16.75 (425) | 28 (711) | 33 | 1350 | 5000 | 350 |
| UltraSIL Polymer | 38 | 200 | 40 | D73P56S0 | D73P59S0 | 34 (859) | 23 (580) | 15.0 (381) | 21.3 (542) | 38 (965) | 45 | 1350 | 5000 | 350 |

* Meets IEEE Std C37.30.1™-2011 standard. Test reports available upon request.



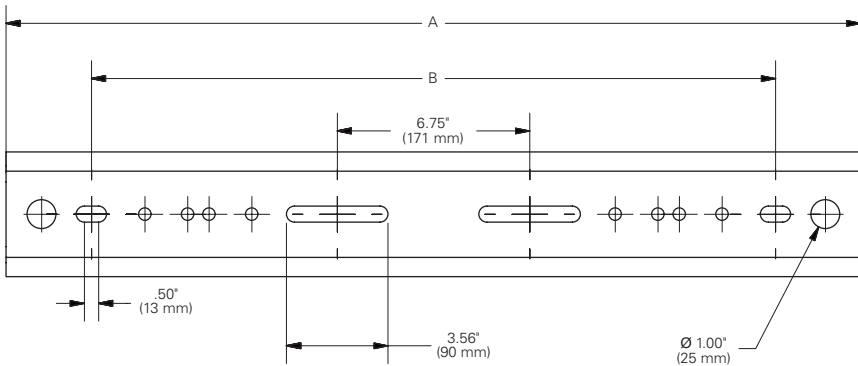
Serrated Slot Base (Standard)

Note: Serrated slot base is supplied with 3/8" by 9" long carriage bolt with square nuts and flat washer.



Standard

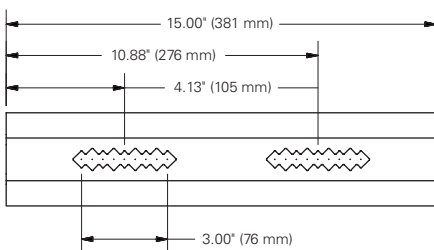
Figure 3. D-73P optional bases.



Smooth Slot Base

Note: Smooth slotted base is supplied with 1/2" diameter by 8" long carriage bolt with square nuts and flat washer.

| REA BACKSTRAP | | |
|---------------|-------------|---------------|
| BIL | DIMENSION | INCHES (mm) |
| | A | B |
| 110,125,150 | 25.75 (654) | 20.63 (524) |
| 200 | 33.60 (853) | 31.94(811.27) |



Standard Backstrap

| TABLE FOR BASE CHANNELS | | | |
|-------------------------|--------------|-------------|-------------|
| | BIL | DIMENSION | INCHES (mm) |
| | | A | B |
| STANDARD | 110, 125,150 | 30.00 (762) | 24.09 (612) |
| | 200 | 37.85 (961) | 31.94 (811) |
| SLOTTED | 110,125,150 | 30.00 (762) | 24.00 (610) |
| | 200 | 31.94 (811) | 31.90(810) |

Figure 4. D-73P backstraps.

D-73P3 bypass switch

Eaton provides an economical way for bypassing and disconnecting pole-mounted distribution-class reclosers and regulators, permitting maintenance without disturbing continuity of service with its Cooper Power series UltraSIL polymer-insulated D-73P3 bypass switch.

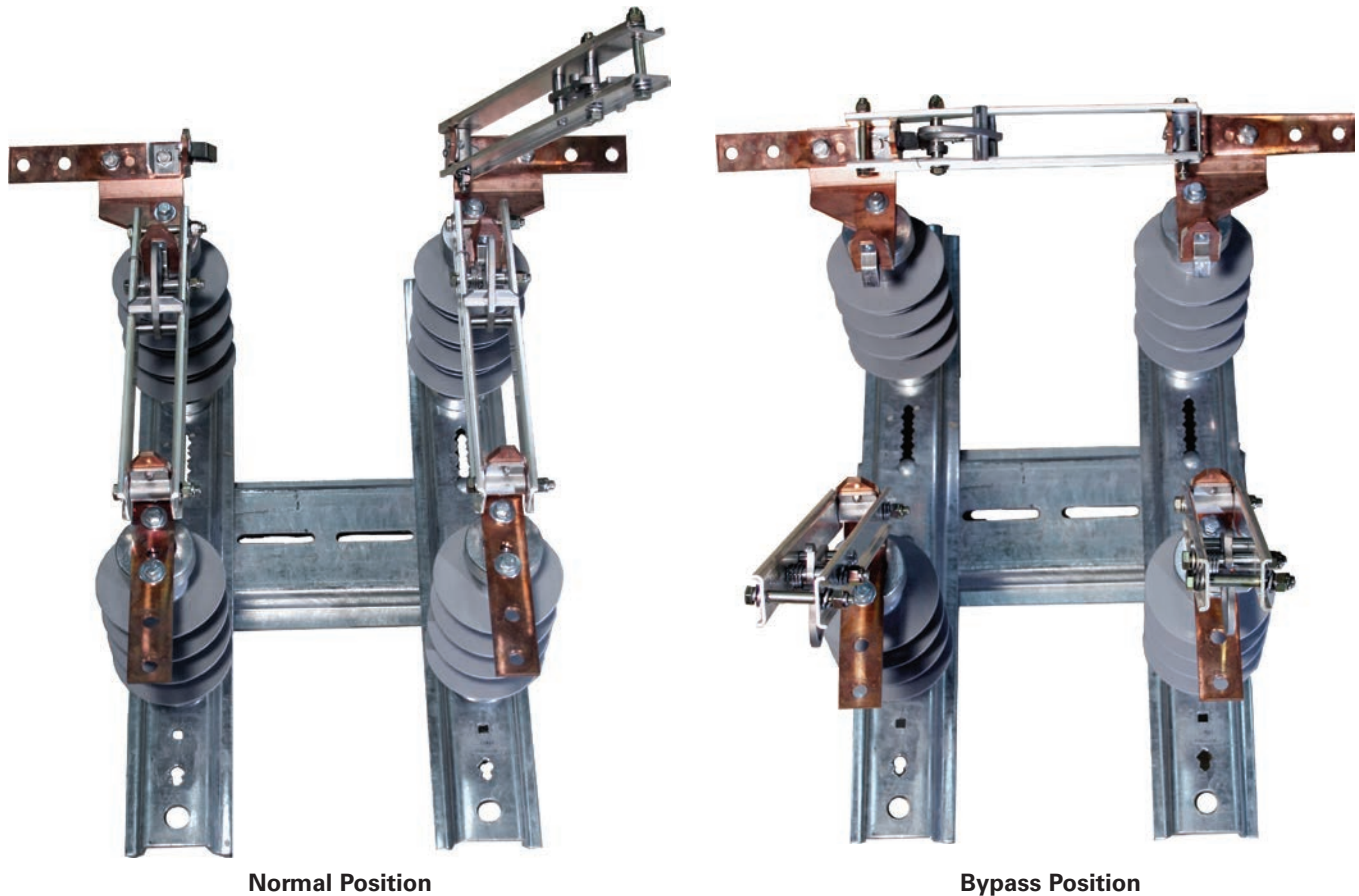


Figure 5. D-73P3 3-pull regulator/recloser bypass switch.

Application

The D-73P3 bypass switch incorporates all the advanced design features of the D-73P switch into a compact 3-pull bypass unit. It consists of two hookstick-operated disconnect switches mounted on a galvanized channel with a bypass blade connected across the top terminals of each switch. The bypass blade can be arranged for either right-hand (standard) or left-hand operation (optional).

One mounting channel supports the entire switch for ease of installation and uncluttered appearance. The channel can be either cross arm mounted with a backstrap or bolted directly to a galvanized pole mounting bracket.

All switches have a positive blade lock to prevent opening under high momentary current. Easy opening and closing is assured by bolted braces providing consistent forces behind and in front of front latch mechanism.

The bypass blade is offset 30 degrees from the plane of the disconnect blades, so that the bypass switch can be operated when the switch is mounted vertically.

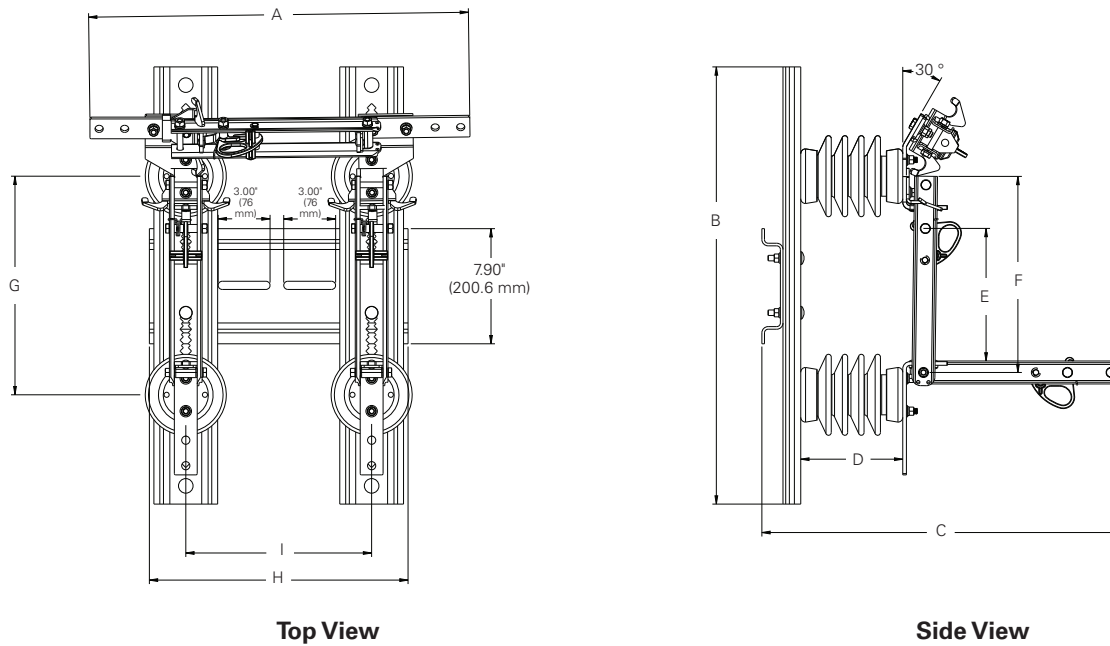


Figure 6. D-73P3 top and side view with dimensional data.

Table 2. D-73P3 Bypass Switch Ratings

| Insulation Material | Ratings | | | Catalog Number | | Insulator Creep | Weight (lb.) | Dimensional Data inches (mm) | | | | | | | | |
|---------------------|----------------|--------|---------|----------------|----------|-----------------|--------------|------------------------------|----------|-------------|------------|-----------|-------------|----------|-------------|-------------|
| | kV Max. Design | BIL kV | Mom. kA | 600 A | 900 A | | | A | B | C | D | E | F | G | H | I |
| UltraSIL Polymer | 15.5 | 110 | 40 | D73316S0 | D73319S0 | 20.2 (513) | 62 | 26 (660) | 30 (762) | 25.95 (659) | 8.4 (213) | 9.1 (231) | 13.45 (342) | 15 (381) | 17.75 (451) | 12.75 (324) |
| UltraSIL Polymer | 27 | 125 | 40 | D73326S0 | D73329S0 | 20.2 (513) | 62 | 26 (660) | 30 (762) | 25.95 (659) | 8.4 (213) | 9.1 (231) | 13.45 (342) | 15 (381) | 17.75 (451) | 12.75 (324) |
| UltraSIL Polymer | 27 | 150 | 40 | D73336S0 | D73339S0 | 28 (711) | 75 | 29 (660) | 30 (762) | 28 (711) | 10.8 (274) | 13 (330) | 15.75 (400) | 18 (457) | 20.75 (527) | 15.75 (400) |
| UltraSIL Polymer | 38.0 | 150 | 40 | D73346S0 | D73349S0 | 28 (711) | 75 | 29 (660) | 30 (762) | 28 (711) | 10.8 (274) | 13 (330) | 15.75 (400) | 18 (457) | 20.75 (427) | 15.75 (400) |

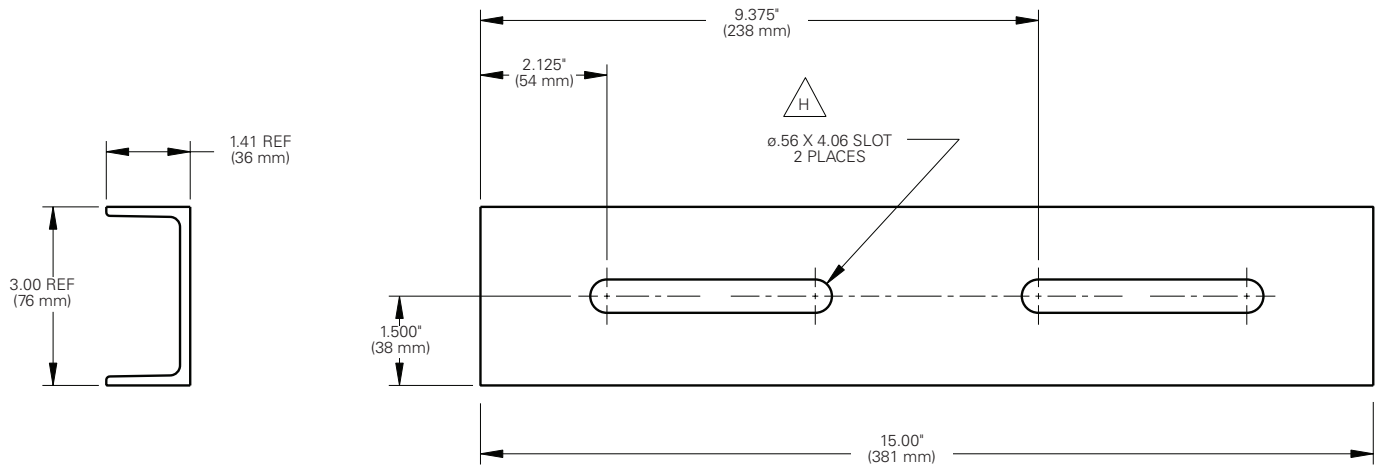


Figure 7. Standard cross arm mount.

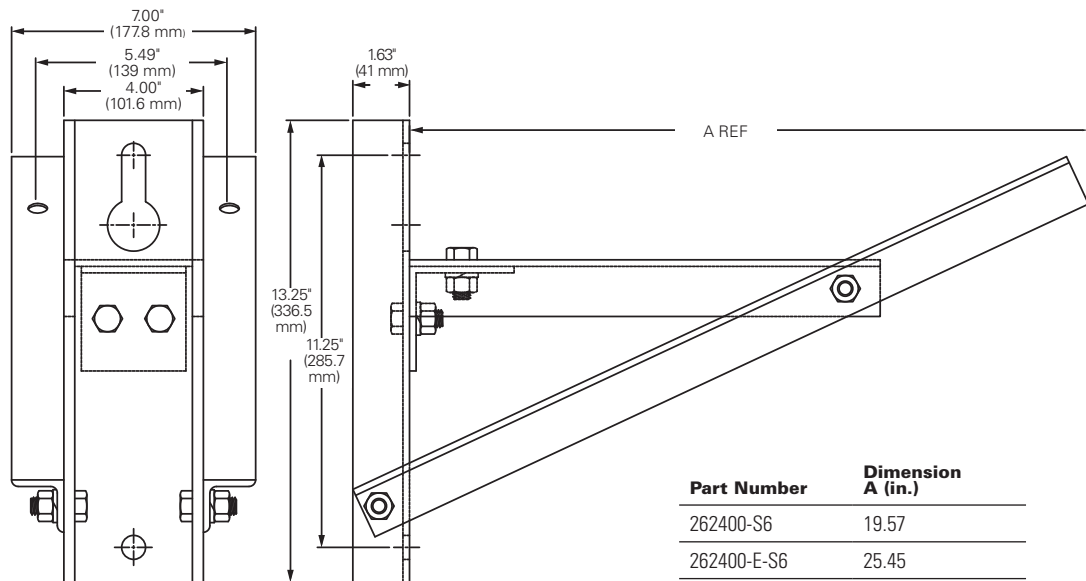


Figure 8. Pole-mounting bracket, catalog number 262400-S6 shown.

Ordering information required

To order a D-73P disconnect or D-73P3 bypass switch use the catalog number noted in Table 3. Modify digits 4-9 to adapt the unit to the specific application.

Table 3. Ordering Information

| | | | | | | | | | |
|---------------------|---|----------|----------|------------------------------------|------------------------|----------|---------------------------------|---|--|
| 1 | 2 | 3 | 4 | 5 | 6 | 7 | 8 | 9 | |
| D | 7 | 3 | P | 1 | 6 | S | 0 | P | |
| BASE CATALOG NUMBER | | | | | | | | | |
| CODE | SWITCH TYPE | | | CODE | VOLTAGE BIL | | CODE | BASE | |
| P | Distribution-Class Disconnect Switch (D-73P) | | | 1 | 15 kV, 110 BIL | | 0* | Serrated Slot | |
| 3 | Distribution-Class Recloser/Regulator Bypass Switch (D-73P3) | | | 2 | 27 kV, 125 BIL | | 2 | Smooth Slot | |
| | | | | 3 | 27 kV, 150 BIL | | * Digit 8 always "0" for D-73P3 | | |
| | | | | 4 | 38 kV, 150 BIL | | CODE | OPTIONS | |
| | | | | 5* | 38kV, 200 BIL | | A | 150 Degree Latch | |
| | | | | *Digit 5 can only be "5" for D-73P | | | B | Bypass Studs (D-73P only) | |
| | | | | CODE | CURRENT | | C | Captive Bolts | |
| | | | | 6 | 600 A | | D | REA Backstrap (2-3/8" x 9" Bolts) (D-73P only) | |
| | | | | 9 | 900 A | | E | REA Backstrap (4-3/8" x 9" Bolts) (D-73P only) | |
| | | | | CODE | INSULATOR MATERIAL | | L | Left-Hand Operation (D-73P3 only) | |
| | | | | S | Silicone Rubber | | M | Pole-mount Bracket* (D-73P3 only) | |
| | | | | P | Porcelain | | N | Without 90° Stop Pin | |
| | | | | | | | P | Parallel Groove Clamp** | |
| | | | | | | | R | No Backstrap | |
| | | | | | | | S | Stainless Steel Loadbreak Hook | |
| | | | | | | | X | Extended Pole-mount Bracket (D-73P3 only) | |

* 2-bolt backstrap standard for bypass switch
** Conductor range: #6 solid to 397.5 MCM ASCR, 500 MCM Copper or 556 MCM Aluminum
Note: Leave digit 9 blank if no option is required.

Example: 600 A, 15 kV, D-73P disconnect switch in silicone rubber with standard base and parallel groove clamp = D73P16S0P

D-73P-CD cutout disconnect switch

Eaton's Cooper Power series D-73P-CD single insulator cutout disconnect switch is single-phase hookstick-operated switch designed for operation at 600 A and 900 A on overhead distribution circuits rated up to 38 kV, 150 kV BIL. The cutout disconnect style switch is designed for riser pole applications where the switch is easily installed with included crossarm bracket much like a standard cutout. The lightweight switch package reduces the need of double crossarm mounting when using cutout bracket.

The cutout disconnect style switch combines Eaton's Cooper Power series Type L cutout and the live parts of D-73P disconnect switch to provide a rugged and reliable low cost switching device. The field proven blade design offers silver plated truss type construction with cross braces in front and in back of contacts to minimize deflection, maintain positive alignment, and ensure efficient current transfer between blade and contacts.

The D-73P-CD switch comes standard with a loadbreak hook to be used with the tool for opening the switch under load. Loadbreak hooks also act as a blade alignment guide to help in safe, reliable closing operation. The D-73P-CD switch is easy to install using cross arm mounting bracket in the same manner as a cutout. Use a D-73P-CD switch where a lightweight switch package is required.



Figure 8. D-73P-CD disconnect switch with features.

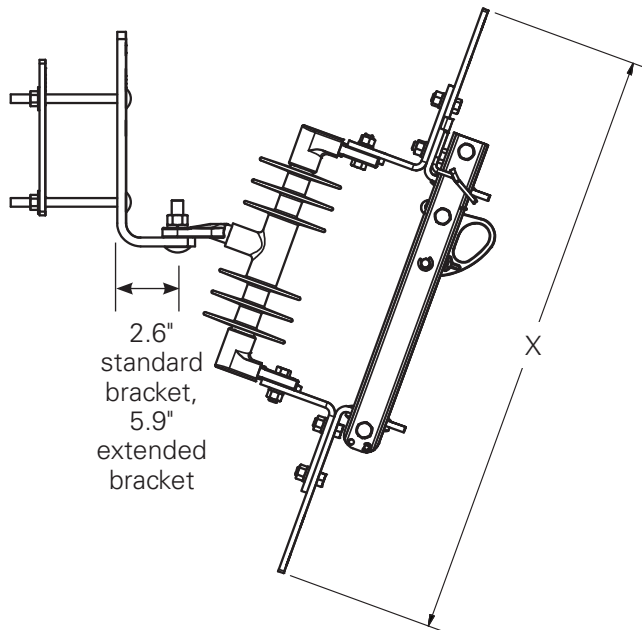


Figure 7. D-73P-CD disconnect switch with features.

Table 4. Ratings

| Catalog Number | Ratings | | | Dimension | |
|----------------|-------------------|---------|----------|---------------------|------------|
| | Max. Voltage (kV) | Amp (A) | BIL (kV) | Length "X" in. (mm) | Creep |
| D73CD16S0 | 15.5 | 600 | 110 | 26 (660) | 14.2 (362) |
| D73CD19S0 | 15.5 | 900 | 110 | 26 (660) | 14.2 (362) |
| D73CD26S0 | 27 | 600 | 125 | 26 (660) | 14.2 (362) |
| D73CD29S0 | 27 | 900 | 125 | 26 (660) | 14.2 (362) |
| D73CD36S0 | 27 | 600 | 150 | 29.5 (749) | 22.3 (566) |
| D73CD39S0 | 27 | 900 | 150 | 29.5 (749) | 22.3 (566) |
| D73CD46S0 | 38 | 600 | 150 | 29.5 (749) | 22.3 (566) |
| D73CD49S0 | 38 | 900 | 150 | 29.5 (749) | 22.3 (566) |

X = total switch length

D-73P-LT distribution-class line tap disconnect switch

Eaton's Cooper Power series D-73P-LT single insulator line tap disconnect switches are a single-phase hookstick-operated switch designed for operation at 600 A and 900 A on distribution circuits to 38 kV, 150 kV BIL.

Line tap style disconnect switches provide a rugged and reliable disconnect option for an assortment of cable-riser and crossover applications. The silver-plated copper truss-type blade assembly provides superior strength and smooth reliable latching mechanism. The D-73P-LT switch comes standard with load break hook to be used with tool for opening switch under load. Load break hooks also act as a blade alignment guide to help in safe, reliable closing operation.

Standard polymer insulators provide reduced weight and added durability for easier installation and enhanced ruggedness in the field. Many available options, accessories and hanging configurations make the D-73P-LT switch a flexible solution to any overhead line tap application.

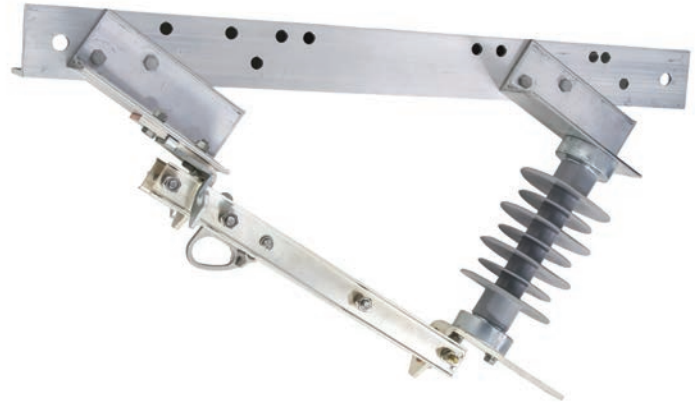


Figure 9. D-73P-LT disconnect switch with features.

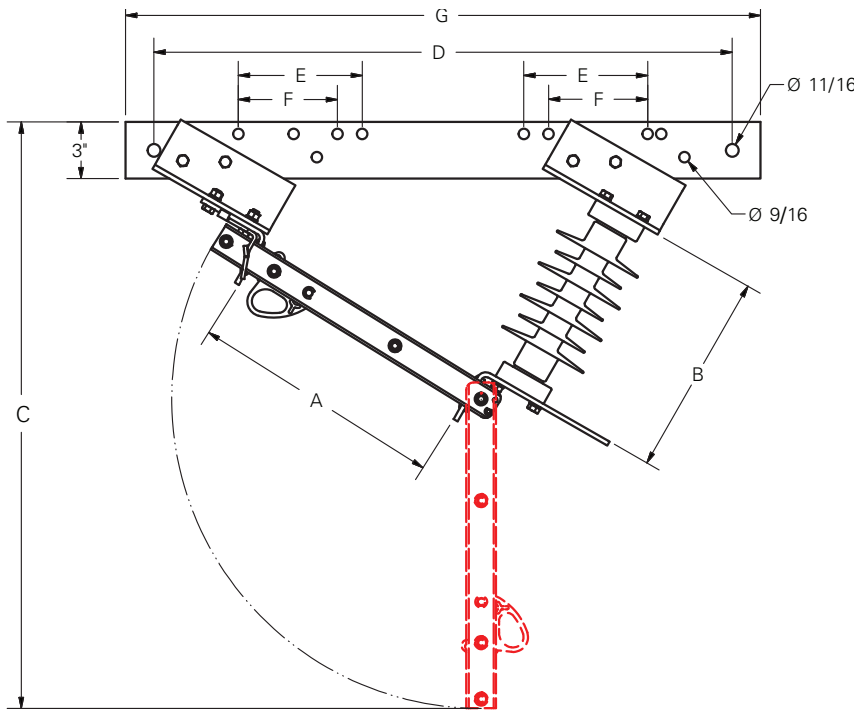
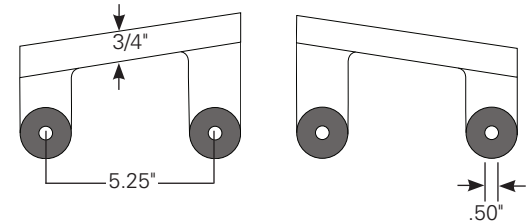
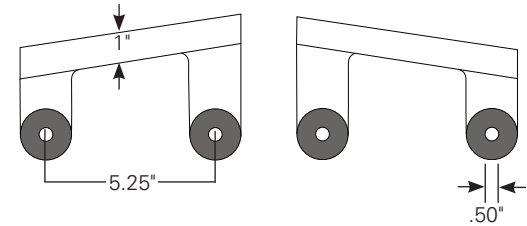


Figure 10. D-73P-LT disconnect switch with features.

Angled Hanger Set 3/4" Diameter



Angled Hanger Set 1" Diameter



Straight Hanger Set 1" Diameter

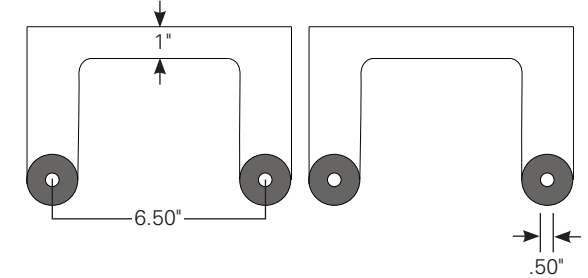


Table 5. Catalog Numbers and Ratings

| Catalog Number | Ratings | | | Dimensional Data in. (mm) | | | | | | |
|----------------|-------------------|---------|----------|---------------------------|-------------|------------|--------------|------------|------------|--------------|
| | Max. Voltage (kV) | Amp (A) | BIL (kV) | "A" | "B" | "C" | "D" | "E" | "F" | "G" |
| D73LT16S0 | 15.5 | 600 | 110 | 10.5 (267) | 8.375 (213) | 28.0 (711) | 27.25 (692) | - | 5.25 (133) | 30.25 (768) |
| D73LT19S0 | 15.5 | 900 | 110 | 10.5 (267) | 8.375 (213) | 28.0 (711) | 27.25 (692) | - | 5.25 (133) | 30.25 (768) |
| D73LT26S0 | 27 | 600 | 125 | 10.5 (267) | 8.375 (213) | 28.0 (711) | 27.25 (692) | - | 5.25 (133) | 30.25 (768) |
| D73LT29S0 | 27 | 900 | 125 | 10.5 (267) | 8.375 (213) | 28.0 (711) | 27.25 (692) | - | 5.25 (133) | 30.25 (768) |
| D73LT36S0 | 27 | 600 | 150 | 13.5 (343) | 10.75 (273) | 31.0 (787) | 30.625 (778) | 6.50 (165) | 5.25 (133) | 33.625 (854) |
| D73LT39S0 | 27 | 900 | 150 | 13.5 (343) | 10.75 (273) | 31.0 (787) | 30.625 (778) | 6.50 (165) | 5.25 (133) | 33.625 (854) |
| D73LT46S0 | 38 | 600 | 150 | 13.5 (343) | 10.75 (273) | 31.0 (787) | 30.625 (778) | 6.50 (165) | 5.25 (133) | 33.625 (854) |
| D73LT49S0 | 38 | 900 | 150 | 13.5 (343) | 10.75 (273) | 31.0 (787) | 30.625 (778) | 6.50 (165) | 5.25 (133) | 33.625 (854) |

D-73P-VS distribution-class V-style crossarm switch

Eaton designs its Cooper Power series D-73P-VS distribution-class V-style crossarm switches for operation at 600 A and 900 A on distribution circuits rated up to 38 kV, 150 BIL. Multiple available bases and mounting configurations make the D-73P-VS style switch a versatile switching option for vertical or inverted cross arm installations.

The silver-plated copper truss-type blade assembly provides superior strength and smooth reliable latching mechanism. The field proven blade design offers silver plated truss type construction with cross braces in front and in back of contacts to minimize deflection, maintain positive alignment, and ensure efficient current transfer between blade and contacts. D-73P-VS switches come standard with a loadbreak hook to be used with tool for opening switch under load. Loadbreak hooks also act as a blade alignment guide to help in safe, reliable closing operation. Standard polymer insulators provide reduced weight and added durability for easier installation and enhanced ruggedness in the field.



Figure 11. D-73P-VS disconnect switch with V-style base.



Figure 12. D-73P-VS disconnect switch with HOM-style base.

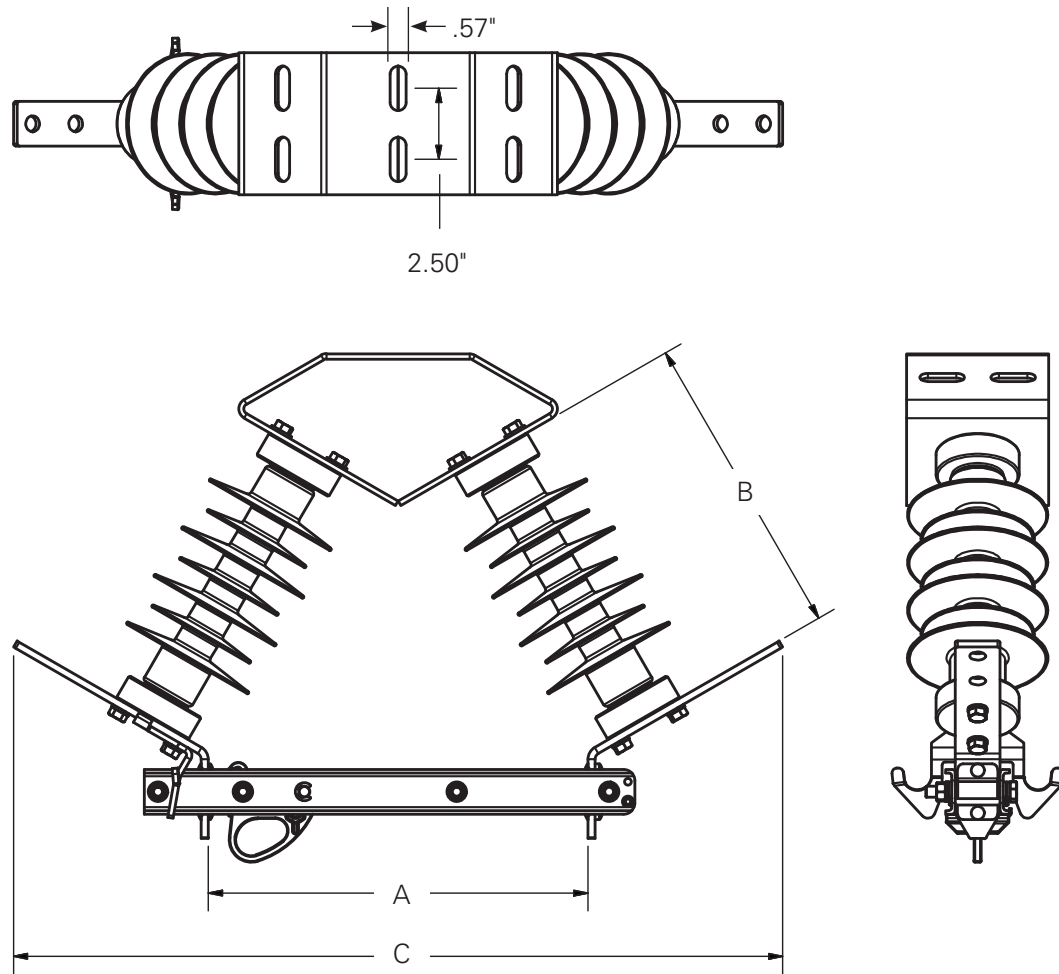


Figure 13. D-73P-VS disconnect switch with V-style base.

Table 6. Catalog Numbers and Ratings

| Catalog Number | Ratings | | | | Dimensions in. (mm) | | |
|----------------|-------------------|---------|----------|------------|---------------------|-------------|-------------|
| | Max. Voltage (kV) | Amp (A) | BIL (kV) | Creep | "A" | "B" | "C" |
| D73VS16S3 | 15.5 | 600 | 110 | 20.2 (513) | 10.50 (267) | 8.375 (213) | 24.25 (616) |
| D73VS19S3 | 15.5 | 900 | 110 | 20.2 (513) | 10.50 (267) | 8.375 (213) | 24.25 (616) |
| D73VS26S3 | 27 | 600 | 125 | 20.2 (513) | 10.50 (267) | 8.375 (213) | 24.25 (616) |
| D73VS29S3 | 27 | 900 | 125 | 20.2 (513) | 10.50 (267) | 8.375 (213) | 24.25 (616) |
| D73VS36S3 | 27 | 600 | 150 | 28 (711) | 13.50 (343) | 10.75 (273) | 27.00 (686) |
| D73VS39S3 | 27 | 900 | 150 | 28 (711) | 13.50 (343) | 10.75 (273) | 27.00 (686) |
| D73VS46S3 | 38 | 600 | 150 | 28 (711) | 13.50 (343) | 10.75 (273) | 27.00 (686) |
| D73VS49S3 | 38 | 900 | 150 | 28 (711) | 13.50 (343) | 10.75 (273) | 27.00 (686) |

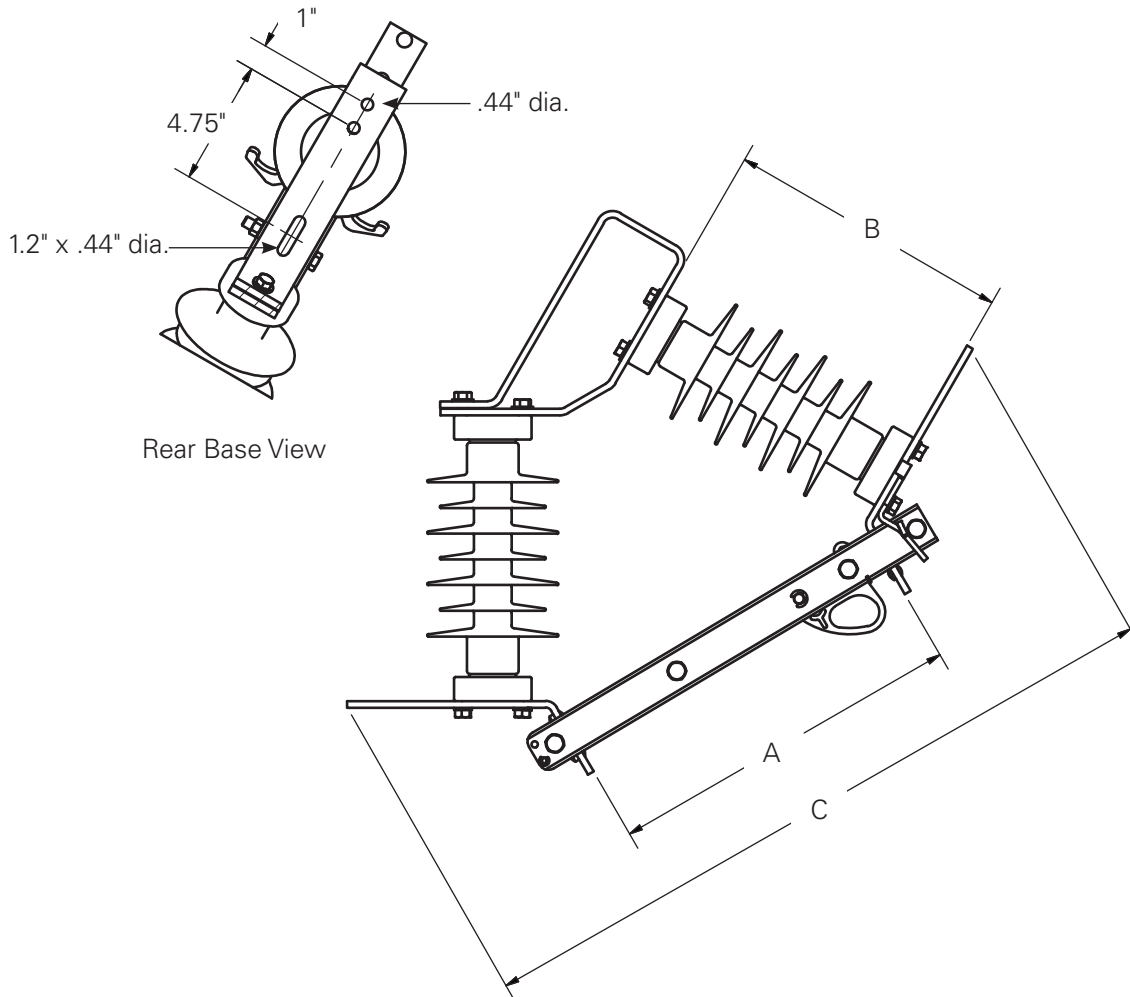


Figure 14. D-73P-VS disconnect switch with HOM-style base.

Table 7. Catalog Numbers and Ratings

| Catalog Number | Ratings | | | | Dimensions in. (mm) | | |
|----------------|-------------------|---------|----------|------------|---------------------|-------------|-------------|
| | Max. Voltage (kV) | Amp (A) | BIL (kV) | Creep | "A" | "B" | "C" |
| D73VS16S4 | 15.5 | 600 | 110 | 20.2 (513) | 10.50 (267) | 8.375 (213) | 24.25 (616) |
| D73VS19S4 | 15.5 | 900 | 110 | 20.2 (513) | 10.50 (267) | 8.375 (213) | 24.25 (616) |
| D73VS26S4 | 27 | 600 | 125 | 20.2 (513) | 10.50 (267) | 8.375 (213) | 24.25 (616) |
| D73VS29S4 | 27 | 900 | 125 | 20.2 (513) | 10.50 (267) | 8.375 (213) | 24.25 (616) |
| D73VS36S4 | 27 | 600 | 150 | 28.0 (711) | 13.50 (343) | 10.75 (273) | 27.00 (686) |
| D73VS39S4 | 27 | 900 | 150 | 28.0 (711) | 13.50 (343) | 10.75 (273) | 27.00 (686) |
| D73VS46S4 | 38 | 600 | 150 | 28.0 (711) | 13.50 (343) | 10.75 (273) | 27.00 (686) |
| D73VS49S4 | 38 | 900 | 150 | 28.0 (711) | 13.50 (343) | 10.75 (273) | 27.00 (686) |

Ordering information required

To order a D-73 disconnect switch use the catalog number noted in Table 8. Modify configuration digits 4-10, as required to adapt the unit to the specific application.

Table 8. Ordering Information

| | | | | | | | | | |
|--------------------------|----------|----------|------------------|----------|----------|--------------------|----------|----------|------------------------------------|
| 1 | 2 | 3 | 4 | 5 | 6 | 7 | 8 | 9 | 10 |
| D | 7 | 3 | C | D | 1 | 6 | S | 0 | X |
| BASE CATALOG NUMBER | | | Digit 6 | | | Digit 8 | | | Digit 9 |
| Digits 4-5 | | | VOLTAGE, BIL | | | INSULATOR MATERIAL | | | BASE |
| DESCRIPTION | | | CODE | | | CODE | | | CODE |
| Cutout Disconnect Switch | | | 15.5 kV, 110 BIL | | | Silicone Rubber | | | CD, LT |
| Line Tap Switch | | | 27 kV, 125 BIL | | | S | | | V Base for VS |
| Crossarm Vertical Switch | | | 27 kV, 150 BIL | | | S | | | HOM Base for VS |
| VS | | | 38 kV, 150 BIL | | | S | | | 4 |
| VS | | | 4 | | | Digit 7 | | | Digit 10 |
| VS | | | 4 | | | AMP | | | OPTION |
| VS | | | 4 | | | CODE | | | CODE |
| VS | | | 4 | | | 600 A | | | 150 Degree Latch |
| VS | | | 4 | | | 900 A | | | A |
| VS | | | 4 | | | 9 | | | Captive Bolts (1.75" Long, SST) |
| VS | | | 4 | | | 9 | | | C |
| VS | | | 4 | | | 9 | | | NEMA D Bracket (for CD) |
| VS | | | 4 | | | 9 | | | D |
| VS | | | 4 | | | 9 | | | No Mounting Bracket (for CD) |
| VS | | | 4 | | | 9 | | | N |
| VS | | | 4 | | | 9 | | | Parallel Groove Connector |
| VS | | | 4 | | | 9 | | | P |
| VS | | | 4 | | | 9 | | | Extended Mounting Bracket (For CD) |
| VS | | | 4 | | | 9 | | | X |
| VS | | | 4 | | | 9 | | | 1" Straight Hanger (LT Type Only) |
| VS | | | 4 | | | 9 | | | H3* |
| VS | | | 4 | | | 9 | | | 1" Angled Hanger (LT Type Only) |
| VS | | | 4 | | | 9 | | | H4 |
| VS | | | 4 | | | 9 | | | 3/4" Angled Hanger (LT Type Only) |
| VS | | | 4 | | | 9 | | | H5 |

Example: D73CD16S0X - 600 A, 15 kV, D73-CD switch with silicone rubber insulators and extended mounting bracket.

* 1" straight hanger not available on switches with option code 1 or 2 in digit 6.
Note: Leave digit 10 blank if no option is required.

D-73P-TS distribution-class in-line disconnect switch

Eaton's Cooper Power series D-73P-TS single insulator in-line tension switches are single-phase hookstick-operated manual switches designed for operation of overhead lines on distribution circuits of 15 kV through 38 kV, 150 kV BIL or 200 kV BIL. The D-73P-TS switches are rated at 600 A or 900 A continuous current and may be applied directly into the line wherever line sectionalizing is desired.

The in-line tension style switches provides a rugged and reliable disconnect option for line sectionalizing. The silver-plated D73 type copper truss-type blade assembly provides superior strength and smooth reliable latching mechanism. The switches come standard with loadbreak hook to be used with the appropriate tool for opening the switches under load. Loadbreak hooks also act as a blade alignment guide to help in safe, reliable closing operation.

UltraSIL silicone rubber polymer insulator with crimped end fittings provides reduced weight and added durability for easier installation and enhanced ruggedness in the field. The extra long creep makes the switch ideal for high pollution and coastal environments.

The switch is equipped with terminals providing NEMA® spacing in several different directions. This allows for increased flexibility during installation depending on the application requirements.

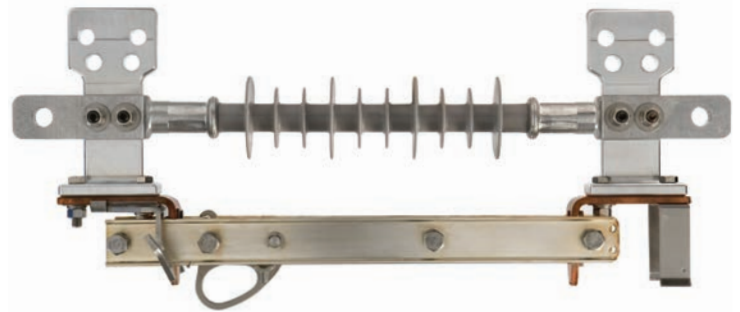


Figure 15. In-line tension switch in closed position..

Table 9. Catalog Numbers and Ratings

| Base Catalog Number* | Continuous Current (A) | BIL (kV) | Power Frequency Dry 60 Sec (kV) | Momentary Current (rms kA) | Momentary Current (Peak kA) | Insulator Creep Distance | | Rated Ultimate Tension Strength | |
|----------------------|------------------------|----------|---------------------------------|----------------------------|-----------------------------|--------------------------|------|---------------------------------|--------|
| | | | | | | (Inches) | (mm) | (LBS) | (N) |
| D73TS36S0 | 600 | 150 | 70 | 25 | 65 | 23.2 | 589 | 15,000 | 66,723 |
| D73TS39S0 | 900 | | | | | | | | |
| D73TS56S0 | 600 | 200 | 95 | 25 | 65 | 38.9 | 988 | 15,000 | 66,723 |
| D73TS59S0 | 900 | | | | | | | | |

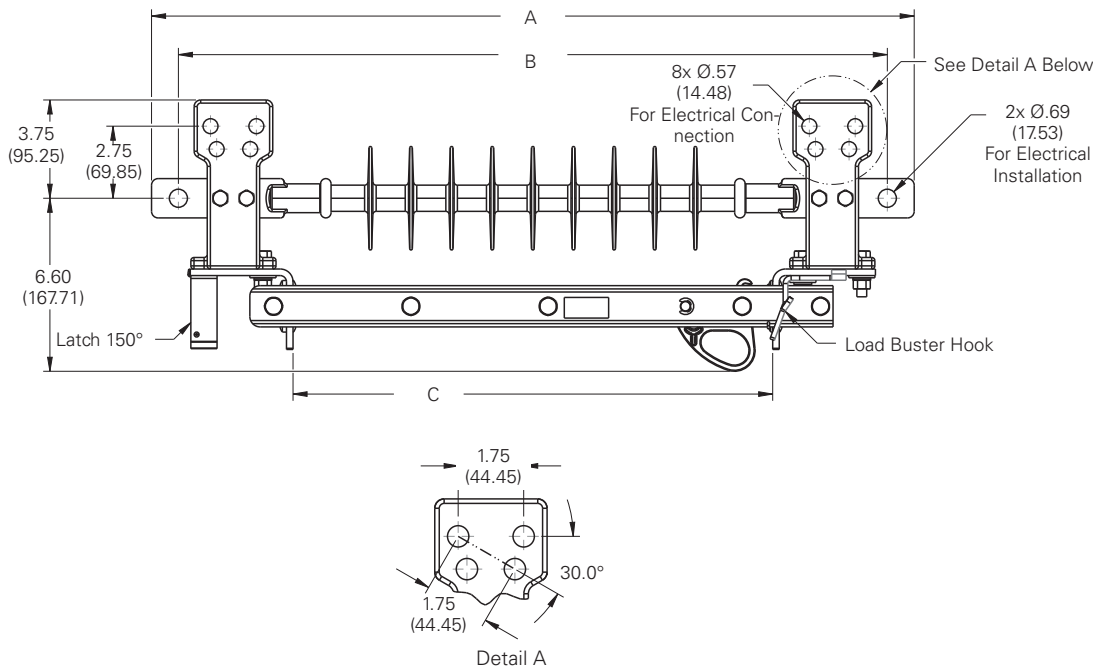


Figure 16. D-73P-TS in-line tension disconnect switch with features.

Table 10. Dimensional Information

| Base Catalog Number* | Continuous Current (A) | BIL (kV) | Dimensional data in (mm) | | |
|----------------------|------------------------|----------|--------------------------|------------|------------|
| | | | "A" | "B" | "C" |
| D73TS36S0 | 600 | 150 | 24.1 (612) | 22.1 (560) | 13.3 (338) |
| D73TS39S0 | 900 | 150 | 24.1 (612) | 22.1 (560) | 13.3 (338) |
| D73TS56S0 | 600 | 200 | 29.1 (739) | 27.1 (687) | 18.3 (465) |
| D73TS59S0 | 900 | 200 | 29.1 (739) | 27.1 (687) | 18.3 (465) |

Ordering information

To order a D-73P-TS in-line tension disconnect switch use the base catalog number noted in Table 10. Add options as required from Table 11.

Table 11. Options

| Code | Option |
|------|--|
| A | 150 degree latch |
| P | Parallel groove connectors |
| Y | Four (4) SS Terminal Bolts with hardware |

Eaton
 1000 Eaton Boulevard
 Cleveland, OH 44122
 United States
 Eaton.com

Eaton's Power Systems Division
 2300 Badger Drive
 Waukesha, WI 53188
 United States
 Eaton.com/cooperpowerseries

© 2019 Eaton
 All Rights Reserved
 Printed in USA
 Publication No. CA008005EN /
 August 2019

Eaton is a registered trademark.
 All other trademarks are property
 of their respective owners.

For Eaton's Cooper Power series product
 information, call 1-877-277-4636
 or visit: www.eaton.com/cooperpowerseries.