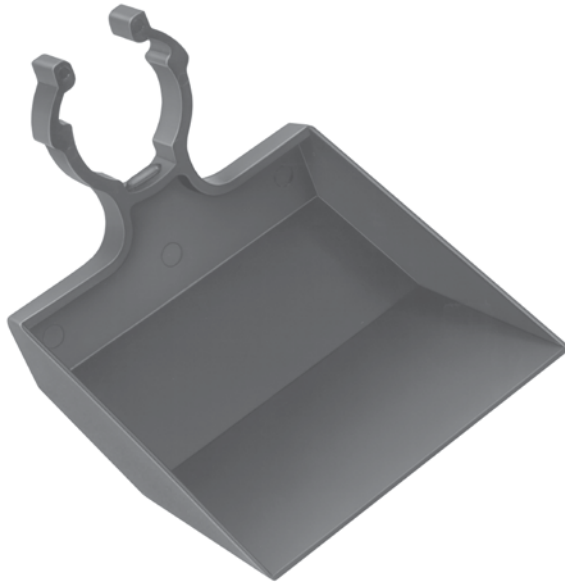


Bay-O-Net fuse assembly drip guard



General

Eaton prevents dripping of oil or other insulating fluids onto molded rubber terminators, cables, and arresters during removal of the bayonet fuse holder with its Cooper Power™ series drip guard for sidewall mount Bay-O-Net fuse assemblies. It protects rubber products that may not be chemically compatible with the dielectric fluid.

The drip guard is installed simply by snapping it around the neck of the Bay-O-Net fuse assembly.

Features and detailed description

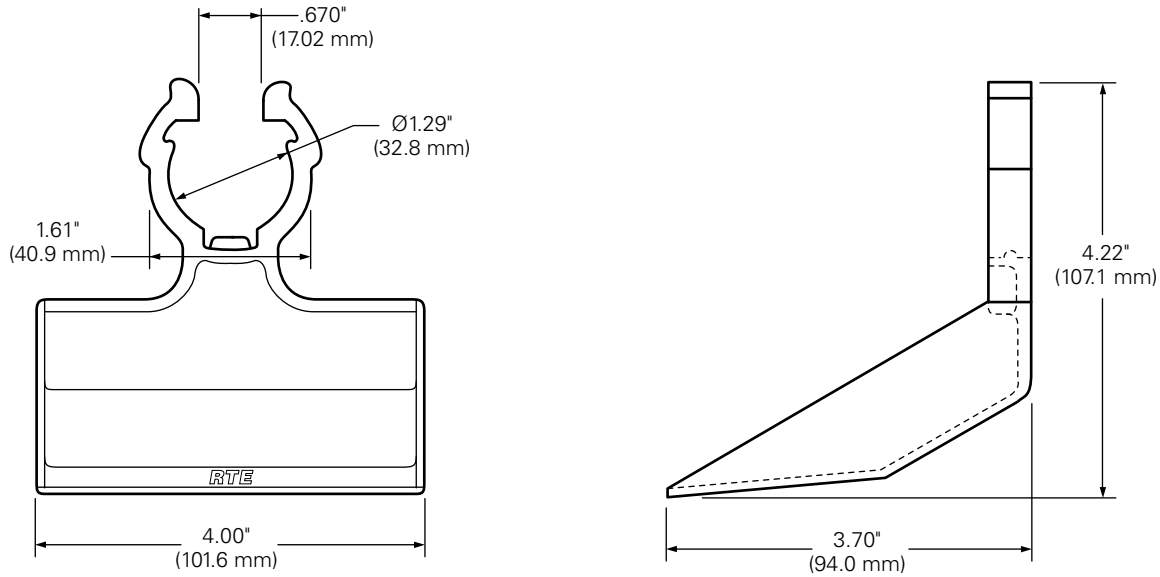


Figure 1. Dimensional information for front and side views.

Note: Dimensions given are for reference only.

Ordering information

To order a drip guard refer to Table 1.

Table 1. Sidewall Mount Drip Guard

Description	Catalog Number
Drip Guard	4004352B02

Eaton
 1000 Eaton Boulevard
 Cleveland, OH 44122
 United States
 Eaton.com

Eaton's Cooper Power Systems Division
 2300 Badger Drive
 Waukesha, WI 53188
 United States
 Eaton.com/cooperpowerseries

© 2015 Eaton
 All Rights Reserved
 Printed in USA
 Publication No. CA132023EN

Eaton and Cooper Power are valuable trademarks of Eaton in the U.S. and other countries. You are not permitted to use these trademarks without the prior written consent of Eaton.

For Eaton's Cooper Power series Bay-O-Net fuse assembly drip guard product information call 1-877-277-4636 or visit: www.eaton.com/cooperpowerseries.