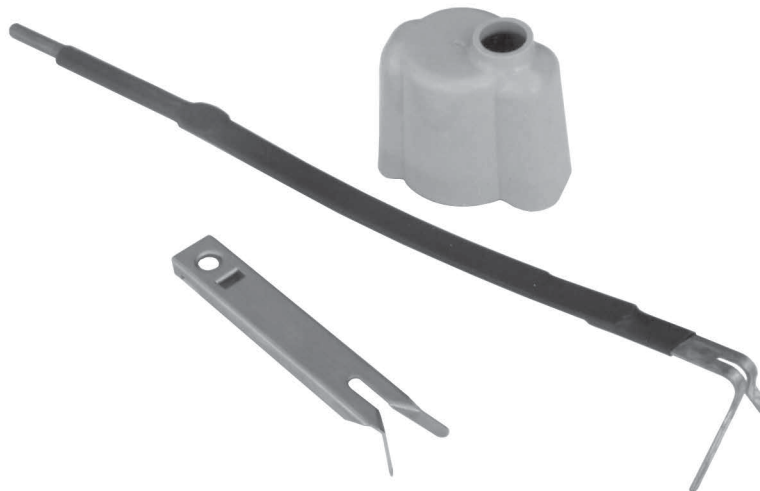
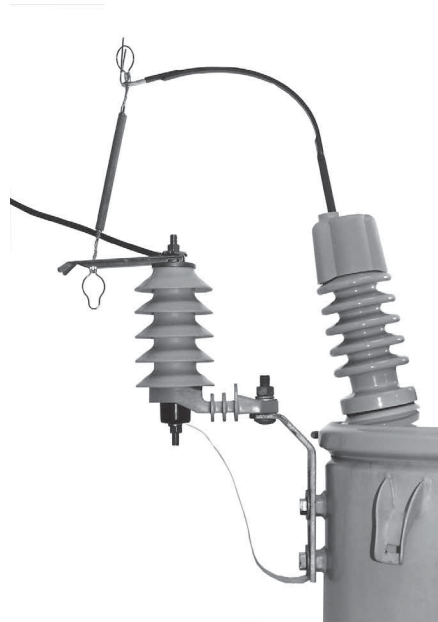


Arrester/flipper fuse combinations



General

Eaton's offers a wide variety of arrester/flipper fuse combinations in its Cooper Power™ series product line. Flipper fuse assemblies can be ordered as a stand alone kit, or in combination with a variety of distribution-class surge arresters. These packages combine the functions of a transformer mounted arrester and an open link fuse assembly to provide users effective overvoltage and overcurrent protection with a minimum of pole-top hardware.

Lightly loaded distribution systems with low available fault currents are ideal locations for these combinations. Current ratings of the flipper fuse assembly include a continuous current rating of 50 A and an interrupting rating of 1200 A.

Arresters in these packages can be ordered with silicone rubber (UltraSIL®) housings, while the internal design is gapless MOV (VariSTAR®). Additionally, arresters are available in normal- or heavy-duty distribution classifications. With these multiple options, customers can order an arrester/flipper fuse combination to fit almost any system application.

All surge arresters supplied in these combinations have been tested to, and meet or exceed, all the requirements of the latest revision of IEEE C62.11™, "IEEE Standard for Metal-oxide Surge Arresters for Alternating Current Power Circuits."

Below are the component parts, AM21A1. Please note, fuse links are not included with these packages. For information on available fuse links, see *Catalog Data CA132008EN Edison Fuse Links*.

EATON

Powering Business Worldwide

Flipper fuse kits

Customers who need a flipper fuse kit without an arrester can order this kit separately. The kit includes both flipper arms (for attachment to the arrester and the transformer bushing) and an optional insulated wildlife protector for the transformer bushing. Refer to Table 1 for a listing of the correct catalog numbers for ordering these kits.

Table 1. Flipper fuse kit catalog numbers

| Description | Catalog number |
|------------------|----------------|
| Flipper Fuse Kit | AM21A1 |
| With Bushing | AM21A1 |
| Insulator Cap | AM21A1 |
| Flipper Fuse Kit | AM21A2 |
| Without Bushing | AM21A2 |
| Insulator Cap | AM21A2 |

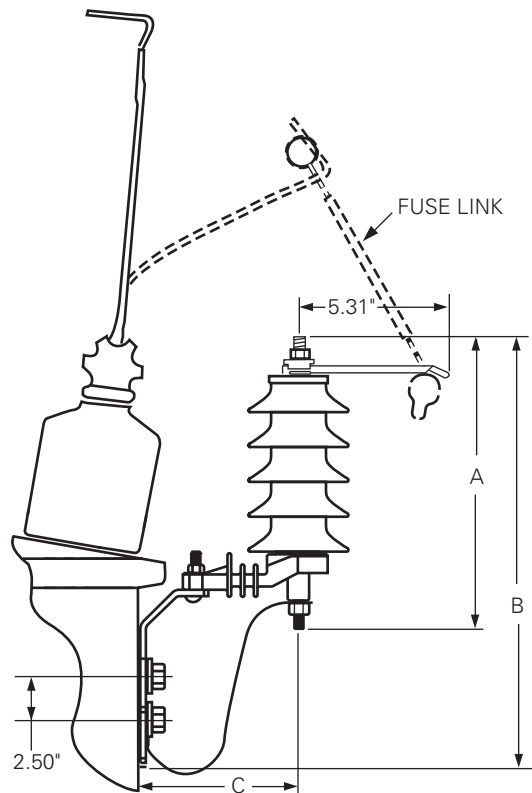


Figure 1. UltraSIL housed arrester/flipper fuse assembly.

Note: See Table 3 for the referenced dimensions.

**Table 2. Arrester/flipper fuse ratings and catalog numbers
part number does not include fuse link**

| Arrester Rating (kV, rms) | Arrester MCOV (kV, rms) | Arrester Design Type | Arrester Housing Material | Flipper Fuse Ratings | | Catalog Number |
|---------------------------|-------------------------|-----------------------|---------------------------|------------------------|--------------------------|-----------------|
| | | | | Continuous Current (A) | Interrupting Current (A) | |
| 9 | 7.65 | VariSTAR, Normal Duty | UltraSIL | 50 | 1200 | UNS09050K1C1D1A |
| 10 | 8.40 | VariSTAR, Normal Duty | UltraSIL | 50 | 1200 | UNS10050K1C1D1A |
| 18 | 15.3 | VariSTAR, Normal Duty | UltraSIL | 50 | 1200 | UNS18080K1C1D1A |
| 9 | 7.65 | VariSTAR, Heavy Duty | UltraSIL | 50 | 1200 | UHS09050K1C1D1A |
| 10 | 8.40 | VariSTAR, Heavy Duty | UltraSIL | 50 | 1200 | UHS10050K1C1D1A |
| 18 | 15.3 | VariSTAR, Heavy Duty | UltraSIL | 50 | 1200 | UHS18080K1C1D1A |

Ordering information

Figure 1 shows outline drawing for UltraSIL housed arrester/flipper fuse cutout.

Catalog numbers and dimensional data related to these drawings are listed in Tables 2 and 3.

**Table 3. UltraSIL Housed Arrester/Flipper Fuse Combinations
— Dimensional Information**

| Catalog number | Dimensions * | | |
|-----------------|--------------|---------|---------|
| | A (in.) | B (in.) | C (in.) |
| UNS09050K1C1D1A | 9.9 | 16.0 | 6.4 |
| UNS10050K1C1D1A | 9.9 | 16.0 | 6.4 |
| UNS18080K1C1D1A | 13.1 | 19.2 | 7.4 |
| UHS09050K1C1D1A | 9.9 | 16.0 | 6.4 |
| UHS10050K1C1D1A | 9.9 | 16.0 | 6.4 |
| UHS18080K1C1D1A | 13.1 | 19.2 | 7.4 |

* All dimensions are referenced in Figure 1.

Additional information

This catalog section contains the details on ratings, dimensions, and ordering information for several arrester/flipper fuse combinations and flipper fuse kits. For ratings and options not shown, please contact your Eaton representative. For more detailed information on the surge arresters used in these packages, refer to *CA235005EN UltraSIL Polymer-Housed VariSTAR IEEE Surge Arrester*.

Eaton
1000 Eaton Boulevard
Cleveland, OH 44122
United States
Eaton.com

Eaton's Power Systems Division
2300 Badger Drive
Waukesha, WI 53188
United States
Eaton.com/cooperpowerseries

© 2019 Eaton
All Rights Reserved
Printed in USA
Publication No. CA235021EN /
CSSC-1805-5504
September 2019

Eaton is a registered trademark.
All other trademarks are property
of their respective owners.

For Eaton's Cooper Power series arrester/
flipper fuse combinations product
information call 1-877-277-4636 or visit:
www.eaton.com/cooperpowerseries.