

600 A 35 kV class deadbreak PUSH-OP apparatus bushing



General

Eaton's Cooper Power™ series 600 A 35 kV Class deadbreak PUSH-OP™ apparatus bushing meets the full requirements of IEEE Std 386™-2006 standard-separable insulated connector systems (except for apparatus-terminator connection dimensions). All 600 A 35 kV PUSH-OP type connectors will operate with this bushing.

The epoxy bushings are designed for sidewall mounting in transformers, switches and other apparatus filled with transformer oil, Envirotemp™ FR3™ fluid or an approved equivalent.

Installation

No special tools are required. The bushing is mounted through the apparatus sidewall and clamped externally with a special bracket assembly. Refer to *Service Information MN800009EN 600 A 15, 25, and 35 kV Class Deadbreak PUSH-OP Apparatus Bushing Installation Instructions* for details.

Production tests

Test are conducted in accordance with IEEE Std 386™-2006 standard.

- AC 60 Hz 1 Minute Withstand
 - 50 kV
- Minimum Corona Voltage Level
 - 26 kV

Tests are conducted in accordance with Eaton requirements.

- Physical Inspection
- Periodic Fluoroscopic Analysis (X-ray)

EATON

Powering Business Worldwide

Features and detailed description

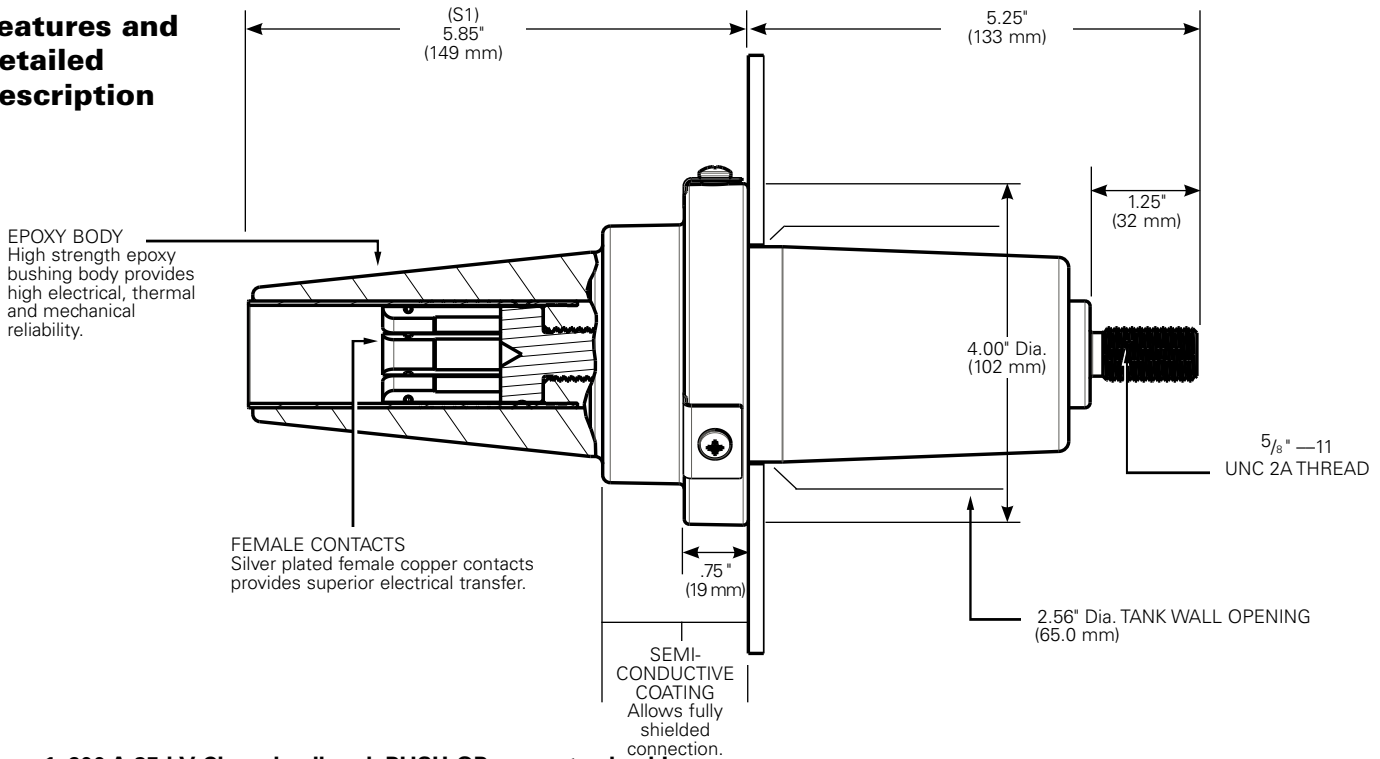


Figure 1. 600 A 35 kV Class deadbreak PUSH-OP apparatus bushing.

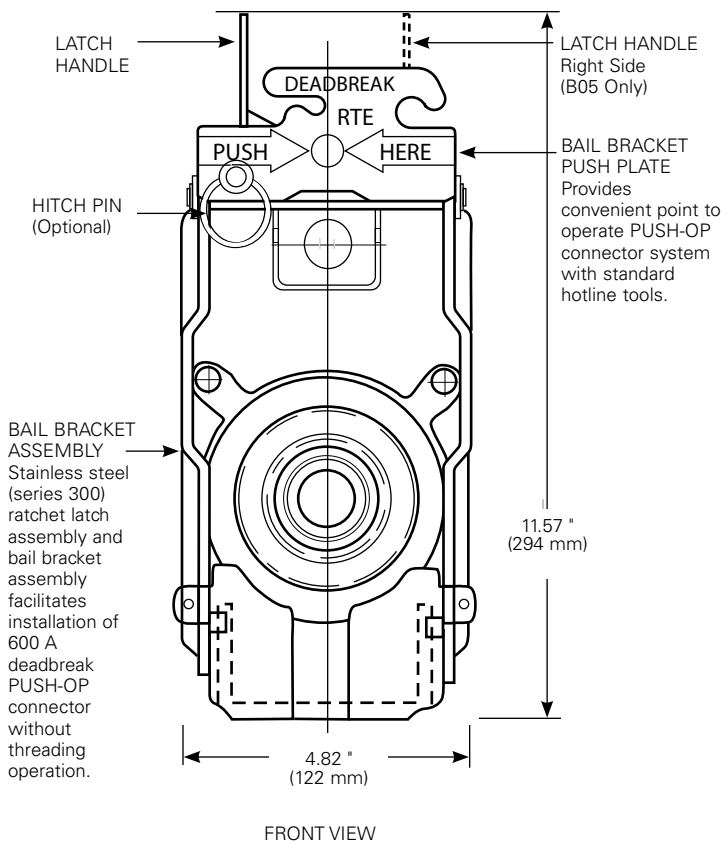


Figure 2. Bail bracket assembly.

Note: Dimensions given are for reference only.

Table 1. Voltage Ratings and Characteristics

Description	kV
Standard Voltage Class	35
Maximum Rating Phase-to-Ground	21.1
AC 60 Hz 1 Minute Withstand	50
DC 15 Minute Withstand	103
BIL and Full Wave Crest	150
Minimum Corona Voltage Level	26

Voltage ratings and characteristics are in accordance with IEEE Std 386™-2006 standard.

Table 2. Current Ratings and Characteristics

Description	Amperes
Continuous	600 A rms
Short Time	25,000 A rms symmetrical for 0.17 s 10,000 A rms symmetrical for 3.0 s

Current ratings and characteristics are in accordance with IEEE Std 386™-2006 standard.

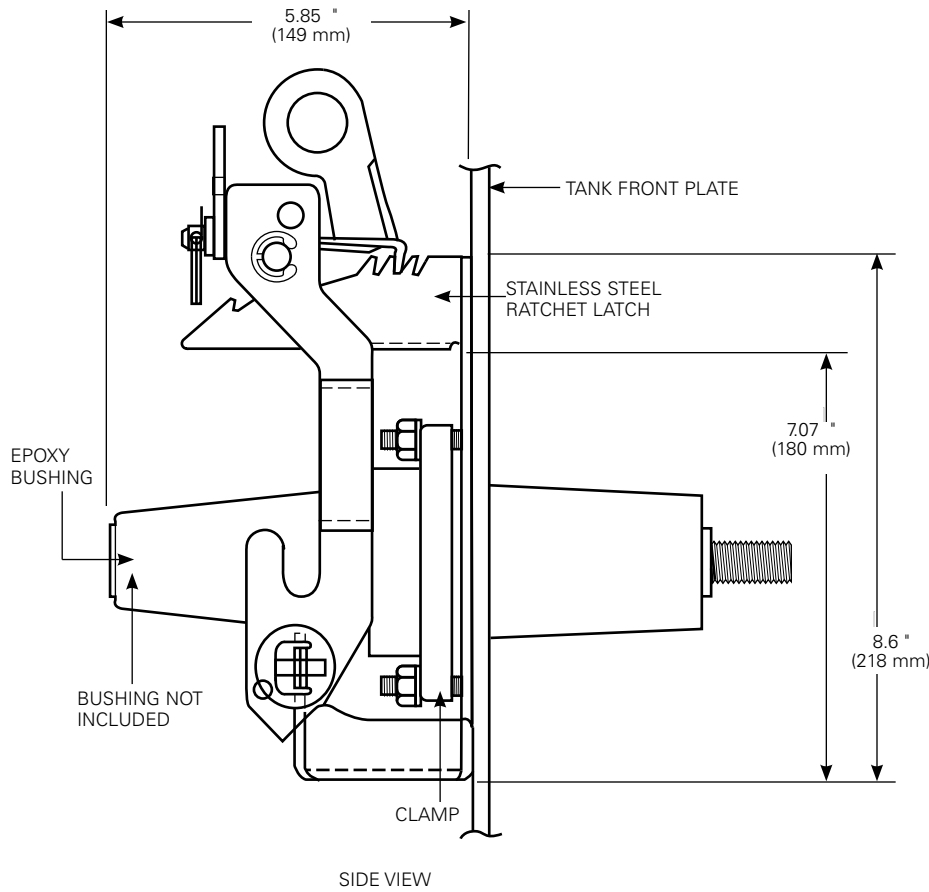


Figure 3. Bail bracket assembly/side view with bushing installed.

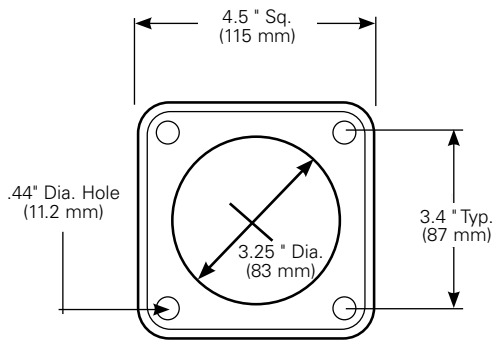


Figure 4. Clamp.

Note: Dimensions given are for reference only.

Ordering information

To order a 600 A 35 kV Class deadbreak PUSH-OP apparatus bushing, specify bushing, bushing bail bracket assembly, clamp and gasket separately from Table 3.

Table 3. Bushing, Bail Bracket, Clamp and Gasket.

Description	Catalog Number
35 kV Bushing	DB635B150P
Bail Bracket Assembly with Hitch Pin	2638772B03M
Bail Bracket Assembly with Hitch Pin (Latch Handle Right)	2638772B05M
Clamp	2637023B01
Gasket	0537980C06

Table 4. Replacement Part

Description	Catalog Number
Shipping Cap (not for energized operation)	2610082P01

Eaton
1000 Eaton Boulevard
Cleveland, OH 44122
United States
Eaton.com

Eaton's Cooper Power Systems Division
2300 Badger Drive
Waukesha, WI 53188
United States
Eaton.com/cooperpowerseries

© 2016 Eaton
All Rights Reserved
Printed in USA
Publication No. CA800028EN

Eaton is a registered trademark.
All other trademarks are property
of their respective owners.

For Eaton's Cooper Power series product
information call 1-877-277-4636 or visit:
www.eaton.com/cooperpowerseries.