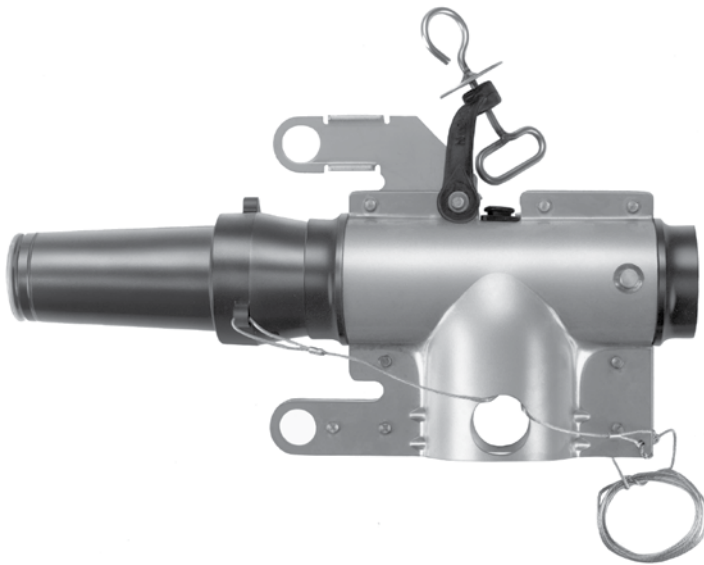


600 A 35 kV class PUSH-OP™ bushing adapter



General

Eaton's Cooper Power™ series 600 A, 35 kV Class PUSH-OP™ bushing adapter is a factory assembled LRTP and extender with a stainless steel shroud and tin-plated copper probe. It meets all the requirements of IEEE Std 386™-2006 standard – Separable Connector Systems.

The PUSH-OP bushing adapter has a non-bolted connection that eliminates any need for threading and its associated problems.

The device is used to cap a 600 A PUSH-OP type bushing tap interface with Eaton's Cooper Power series 200 A loadbreak interface allowing for live testing and visible grounding. The 200 A tap is single-phase switching and three-phase fault close rated. Used with an Eaton's Cooper Power series 200 A insulated protective cap, M.O.V.E. arrester or grounding elbow, a PUSH-OP bushing adapter provides a fully shielded, submersible unit.

Installation

The PUSH-OP bushing adapter is installed on a de-energized 600 A PUSH-OP bushing interface using a clampstick. Refer to *Service Information S600-19-1 600 A 15, 25, and 35 kV Class PUSH-OP Bushing Adapter Cap Installation Instructions* for details. Installation of the factory assembled LRTP and extender to the 600 A PUSH-OP bushing requires no threading.

Production tests

Tests are conducted in accordance with IEEE Std 386™-2006 standard.

- ac 60 Hz 1 Minute Withstand
 - 50 kV
- Minimum Corona Voltage Level
 - 26 kV

Tests are conducted in accordance with Eaton requirements.

- Physical Inspection
- Periodic Dissection
- Periodic Fluoroscopic Analysis

EATON

Powering Business Worldwide

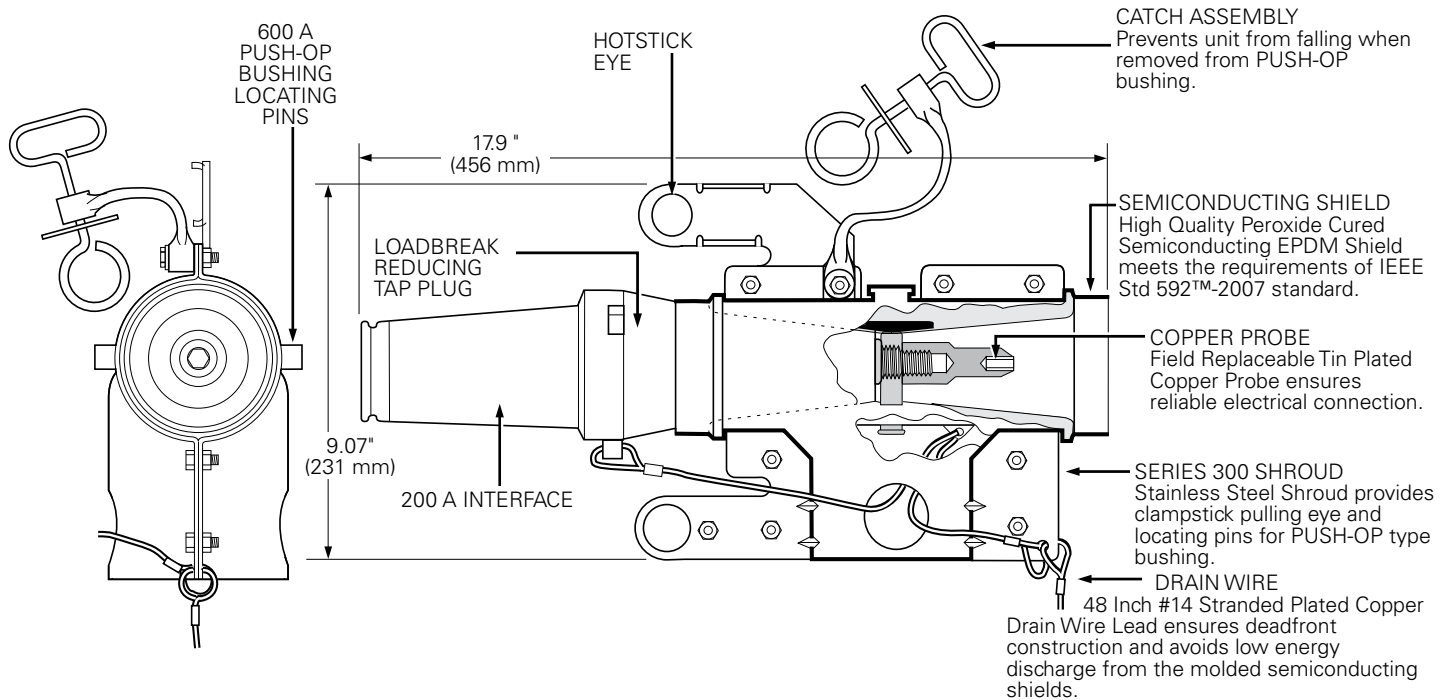


Figure 1. Cutaway illustration shows design detail and dimensions.

Note: Dimensions given are for reference only.

Table 1. Voltage Ratings and Characteristics

Description	kV
Standard Voltage Class	35
Maximum Rating Phase-to-Phase (LRTP 200 A interface only)	21.1
Maximum Rating Phase-to-Ground	21.1
ac 60 Hz 1 Minute Withstand	50
dc 15 Minute Withstand	103
BIL and Full Wave Crest	150
Minimum Corona Voltage Level	26

Voltage ratings and characteristics are in accordance with IEEE Std 386™-2006 standard.

Table 2. Current Ratings and Characteristics

Description	Amperes
200 A Interface*	
Continuous	200 A rms
Switching**	10 operations at 200 A rms at 21.1 kV
Fault Closure	10,000 A rms symmetrical at 36.6 kV after 10 switching operations for 0.17 s
Short Time	10,000 A rms symmetrical for 0.17 s 3,500 A rms symmetrical for 3.0 s

Current ratings and characteristics are in accordance with IEEE Std 386™-2006 standard.

* If available system fault current exceeds 10 kA, current limiting fusing must be used upstream, otherwise fault close and short time ratings of the 200 A interface will be exceeded.

** Switching rating limited to single-phase 21.1 kV.

Ordering information

To order a 35 kV Class PUSH-OP Insulated Bushing Adapter Kit, refer to Table 3.

Table 3. Insulated Bushing Adapter Kits

Description	Catalog Number
Bushing Adapter	PDBA635
Bushing Adapter w/200 A Insulated Protective Cap	PDBA635C

Each kit contains:

- Assembled Bushing Adapter
- Shipping Cap (not for energized operation)
- Silicone Lubricant
- Installation Instruction Sheet

Table 4. Replacement Parts

Description	Catalog Number
Loadbreak Reducing Tap Plug	LRTP635
Probe	2638198B01B
Catch Assembly	2638191B01

Eaton
1000 Eaton Boulevard
Cleveland, OH 44122
United States
Eaton.com

Eaton's Cooper Power Systems Division
2300 Badger Drive
Waukesha, WI 53188
United States
Eaton.com/cooperpowerseries

© 2015 Eaton
All Rights Reserved
Printed in USA
Publication No. CA650056EN

Eaton, Cooper Power, and PUSH-OP are valuable trademarks of Eaton in the U.S. and other countries. You are not permitted to use these trademarks without prior written consent of Eaton.
IEEE Std 386™-2006 and IEEE Std 592™-2007 standards are trademarks of the Institute of Electrical and Electronics Engineers, Inc. (IEEE). This publication/product is not endorsed or approved by the IEEE.

For Eaton's Cooper Power series PUSH-OP connector product information call 1-877-277-4636 or visit: www.eaton.com/cooperpowerseries.