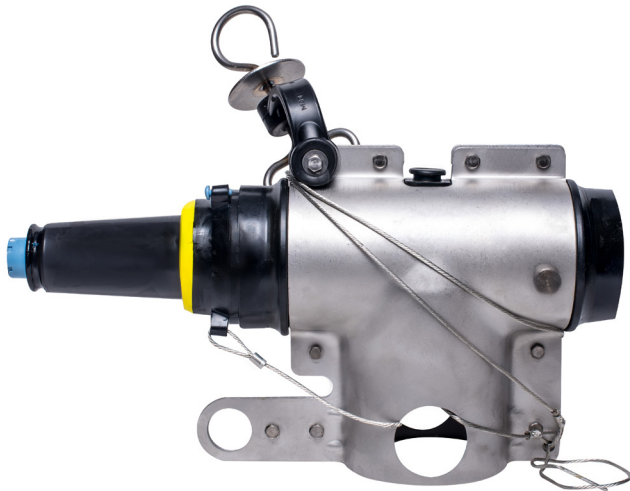


# 600 A 25 kV class PUSH-OP™ insulated adapter cap



## General

Eaton's Cooper Power™ series 600 A, 25 kV Class PUSH-OP™ adapter cap is a factory assembled loadbreak reducing tap plug and bushing extender with a stainless steel shroud and tin-plated copper probe. It meets all the requirements of IEEE Std 386™-2006 standard, Separable Connector Systems.

The device is used to cap a 600 A PUSH-OP type bushing interface with the 200 A loadbreak interface, allowing for live testing and visible grounding.

It is 200 A three-phase switching and three-phase fault close rated. When used with Eaton's Cooper Power series 200 A insulated protective cap, M.O.V.E. arrester or a grounding elbow, the PUSH-OP adapter cap provides a fully shielded, submersible unit.

## Installation

The PUSH-OP adapter cap is installed on a de-energized 600 A special PUSH-OP bushing interface using a clampstick tool. Refer to *Service Information S600-19-1, 600 A, 15, 25, and 35 kV Class PUSH-OP Bushing Adapter Cap Installation Instructions* for installation instructions.

## Production tests

Tests are conducted in accordance with IEEE Std 386™-2006 standard.

- AC 60 Hz 1 Minute Withstand
  - 40 kV
- Minimum Corona Voltage Level
  - 19 kV

Tests are conducted in accordance with Eaton requirements.

- Physical Inspection
- Periodic Dissection
- Periodic Fluoroscopic Analysis

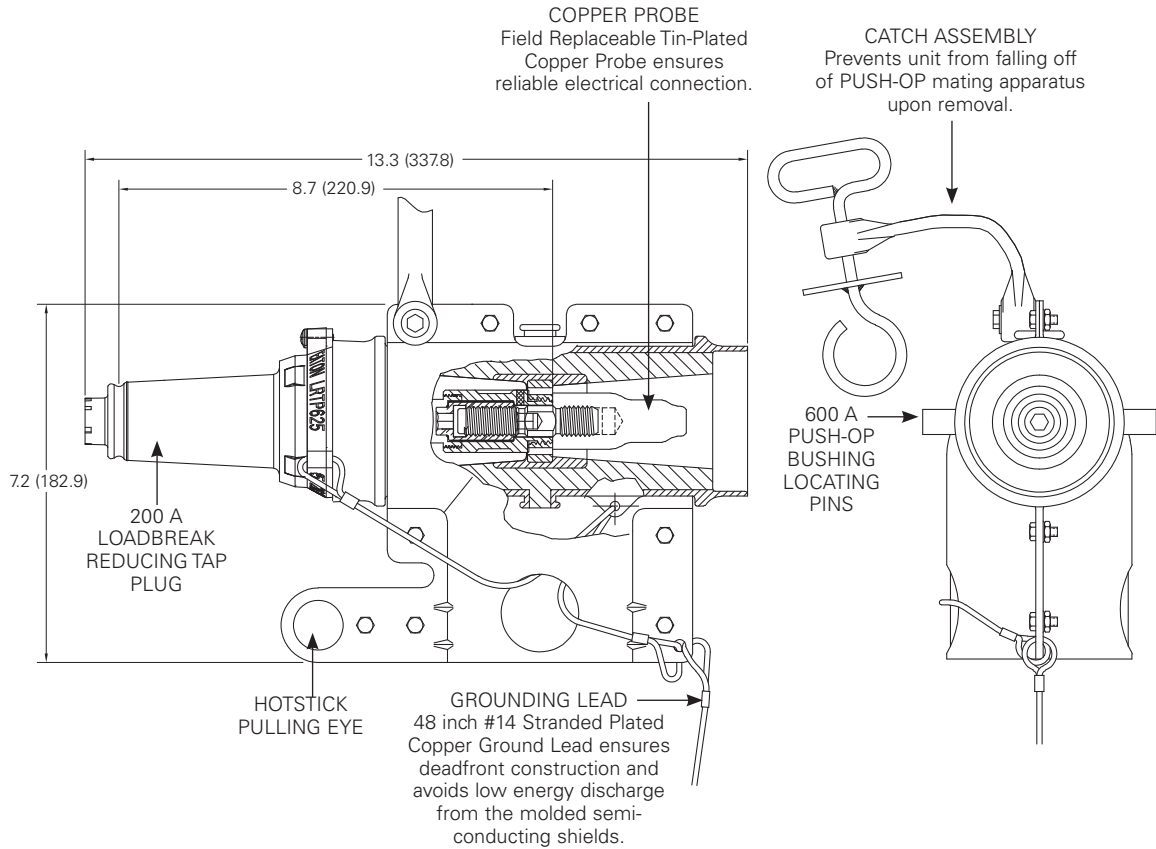


Figure 1. Cutaway illustration shows design detail and dimensions. Catalog PDBA625 shown.

Note: Dimensions given are for reference only.

Table 1. Voltage Ratings and Characteristics

Description	kV
Standard Voltage Class	25
Maximum Rating Phase-to-Phase (LRTP 200 A interface only)	26.3
Maximum Rating Phase-to-Ground	15.2
AC 60 Hz 1 Minute Withstand	40
DC 15 Minute Withstand	78
BIL and Full Wave Crest	125
Minimum Corona Voltage Level	19

Voltage ratings and characteristics are in accordance with IEEE Std 386™-2006 standard.

Table 2. Current Ratings and Characteristics

Description	Amperes
<b>200 A Interface*</b>	
Continuous Switching	200 A rms 10 operations at 200 A rms at 26.3 kV
Fault Closure	10,000 A rms symmetrical at 26.3 kV after 10 switching operations for 0.17 s
Short Time	10,000 A rms symmetrical for 0.17 s 3,500 A rms symmetrical for 3.0 s

Current ratings and characteristics are in accordance with IEEE Std 386™-2006 standard.

\* If available system fault current exceeds 10 kA, current-limiting fusing must be used upstream, otherwise fault close and short time ratings of the 200 A interface will be exceeded.

## Ordering information

To order a 25 kV Class PUSH-OP Insulated Adapter Cap Kit, refer to Table 3.

**Table 3. Insulated Adapter Cap Kits**

<b>Description</b>	<b>Catalog Number</b>
Adapter Cap	PDBA625
Adapter Cap with 200 A Insulated Protective Cap	PDBA625C

Each kit contains:

- Assembled Adapter Cap
- Shipping Cap (not for energized operation)
- Silicone Lubricant
- Installation Instruction Sheet

**Table 4. Replacement Parts**

<b>Description</b>	<b>Catalog Number</b>
Reducing Tap Plug (Includes STUD-T)	L RTP625
Probe	2638198B01B
Catch Assembly	2638191B01
Shipping Cap (for 200 A interface)	2637269B04

**Eaton**  
1000 Eaton Boulevard  
Cleveland, OH 44122  
United States  
Eaton.com

**Eaton's Power Systems Division**  
2300 Badger Drive  
Waukesha, WI 53188  
United States  
Eaton.com/cooperpowerseries

© 2016 Eaton  
All Rights Reserved  
Printed in USA  
Publication No. CA650103EN

Eaton is a registered trademark.

All trademarks are property  
of their respective owners.

For Eaton's Cooper Power series PUSH-OP  
connector product information call  
1-877-277-4636 or visit:  
[www.eaton.com/cooperpowerseries](http://www.eaton.com/cooperpowerseries).