

# 600 A 15 kV class PUSH-OP™ insulated adapter cap



## General

Eaton's Cooper Power™ series 600 A, 15 kV Class PUSH-OP™ adapter cap is a factory assembled LRTP and T-body with a stainless steel shroud and tin-plated copper probe. It meets all the requirements of IEEE Std 386™-2006 standard, Separable Connector Systems.

The PUSH-OP adapter cap has a non-bolted connection that eliminates any need for threading and its associated problems.

The device is used to cap a 600 A PUSH-OP type bushing tap interface with the 200 A loadbreak interface allowing for live testing and visible grounding. The 200 A tap is three-phase switching and three-phase fault close rated. Used with a 200 A insulated protective cap, Eaton's Cooper Power series M.O.V.E. arrester or grounding elbow, a PUSH-OP adapter cap provides a fully shielded, submersible unit.

## Installation

The PUSH-OP adapter cap is installed on a de-energized 600 A special PUSH-OP bushing interface using a clampstick. Refer to *Service Information S600-19-1 600 A 15, 25, and 35 kV Class PUSH-OP Bushing Adapter Cap Installation Instructions* for details. Installation of the factory assembled LRTP and T-body to the 600 A PUSH-OP bushing requires no threading.

## Production tests

Tests are conducted in accordance with IEEE Std 386™-2006 standard.

- ac 60 Hz 1 Minute Withstand
  - 34 kV
- Minimum Corona Voltage Level
  - 11 kV

Tests are conducted in accordance with Eaton requirements.

- Physical Inspection
- Periodic Dissection
- Periodic Fluoroscopic Analysis

**EATON**

Powering Business Worldwide

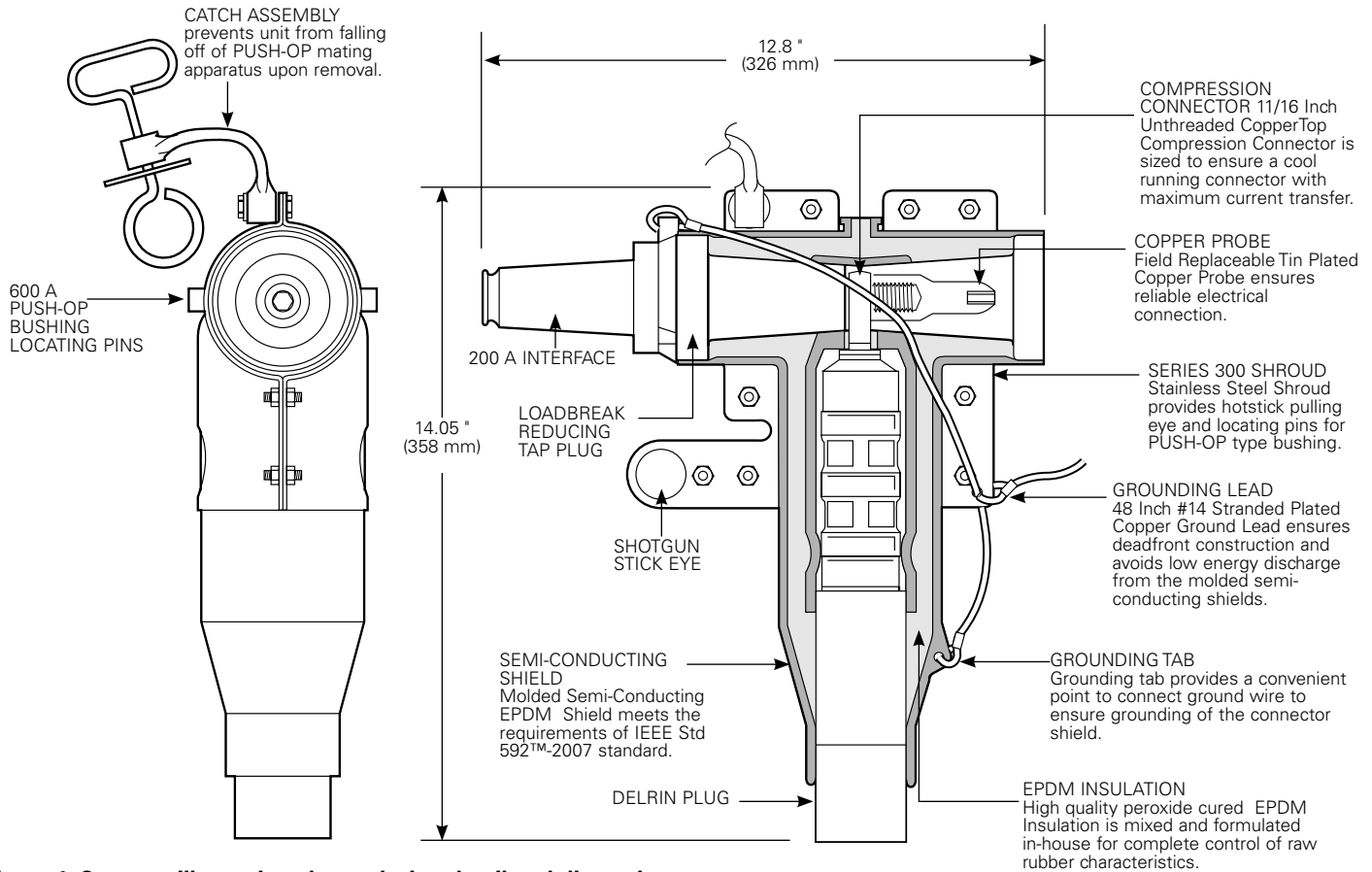


Figure 1. Cutaway illustration shows design detail and dimensions.

Note: Dimensions given are for reference only.

Table 1. Voltage Ratings and Characteristics

Description	kV
Standard Voltage Class	15
Maximum Rating Phase-to-Phase (LRTP 200 A interface only)	14.4
Maximum Rating Phase-to-Ground	8.3
ac 60 Hz 1 Minute Withstand	34
dc 15 Minute Withstand	53
BIL and Full Wave Crest	95
Minimum Corona Voltage Level	11

Voltage ratings and characteristics are in accordance with IEEE Std 386™-2006 standard.

Table 2. Current Ratings and Characteristics

Description	Amperes
<b>200 A Interface*</b>	
Continuous	200 A rms
Switching	10 operations at 200 A rms at 14.4 kV
Fault Closure	10,000 A rms symmetrical at 14.4 kV after 10 switching operations for 0.17 s
Short Time	10,000 A rms symmetrical for 0.17 s
	3,500 A rms symmetrical for 3.0 s

Current ratings and characteristics are in accordance with IEEE Std 386™-2006 standard.

\* If available system fault current exceeds 10 kA, current limiting fusing must be used upstream, otherwise fault close and short time ratings of the 200 A interface will be exceeded.

## Ordering information

To order a 15 kV Class PUSH-OP Insulated Adapter Cap Kit, refer to Table 3.

**Table 3. Insulated Adapter Cap Kits**

Description	Catalog Number
Adapter Cap	PDBA615
Adapter Cap with 200 A Insulated Protective Cap	PDBA615C

Each kit contains:

- Assembled Adapter Cap
- Shipping Cap (not for energized operation)
- Silicone Lubricant
- Installation Instruction Sheet

**Table 4. Replacement Parts**

Description	Catalog Number
Loadbreak Reducing Tap Plug (includes STUD-T)	LRTP615
Probe	2638198B01B
Extended Length Stud	STUD-T
Catch Assembly	2638191B01
Shipping Cap (for 200 A interface)	2637123B01

**Eaton**  
1000 Eaton Boulevard  
Cleveland, OH 44122  
United States  
Eaton.com

**Eaton's Cooper Power Systems Division**  
2300 Badger Drive  
Waukesha, WI 53188  
United States  
Eaton.com/cooperpowerseries

© 2015 Eaton  
All Rights Reserved  
Printed in USA  
Publication No. CA650019EN

Eaton and Cooper Power are valuable trademarks of Eaton in the U.S. and other countries. You are not permitted to use these trademarks without the prior written consent of Eaton.

IEEE Std 386™-2006 standard is a trademark of the Institute of Electrical and Electronics Engineers, Inc., (IEEE). This publication/product is not endorsed or approved by the IEEE.

For Eaton's Cooper Power series PUSH-OP deadbreak connector product information call 1-877-277-4636 or visit:  
[www.eaton.com/cooperpowerseries](http://www.eaton.com/cooperpowerseries).