

300 A externally operated tap-changer switch



General

Eaton eliminates many of the hazards associated with manual internal tap changing of distribution transformers with its Cooper Power™ series 300 A externally operated tap-changer switch because line crews need not be exposed to high voltage conductors and hot transformer fluids. They also eliminate the need to dismount pole-type transformers for voltage adjustment and prevent exposure of the transformer tank interiors to contamination. The switches are designed for use in distribution transformers filled with transformer oil, Envirotemp™ FR3™ fluid or an approved equivalent.

Tap-changers are available with lever and hotstick-operable handles with an indexing screw to ensure complete, positive switch contact.

The switch shaft is made of a high strength glass-reinforced nylon and is sealed against leakage by two high temperature resistant Viton® O-rings. The switch body and rotor are made of a glass-reinforced polyester. The snap-action bridge roller contact ensures complete, positive switch throw. All contacts are silver plated. The easily readable index plate provides positive contact positioning and positive stops, restricting the handle throw to five or seven positions.

Installation

No special tools are required. The switch body is installed through a keyed 1.33 inch (34 mm) hole in the tank wall and sealed by an inside gasket. An outer sealing nut is tightened to a torque of 80 to 120 in-lbs. Refer to *Service Information MN800003EN 300 A Externally Operated Tap-Changer Switch Installation Instructions* for details.

EATON

Powering Business Worldwide

Table 1. Voltage Ratings and Characteristics

Description	kV
Standard Voltage Class	35 Max.
AC 60 Hz 1 Minute Withstand	50
BIL and Full Wave Crest	150

Voltage ratings and characteristics are in accordance with IEEE Std C57.12™ standard. (Phase-to-Phase or Phase-to-Ground).

Table 2. Current Ratings and Characteristics

Description	Amperes
Continuous	300 A rms

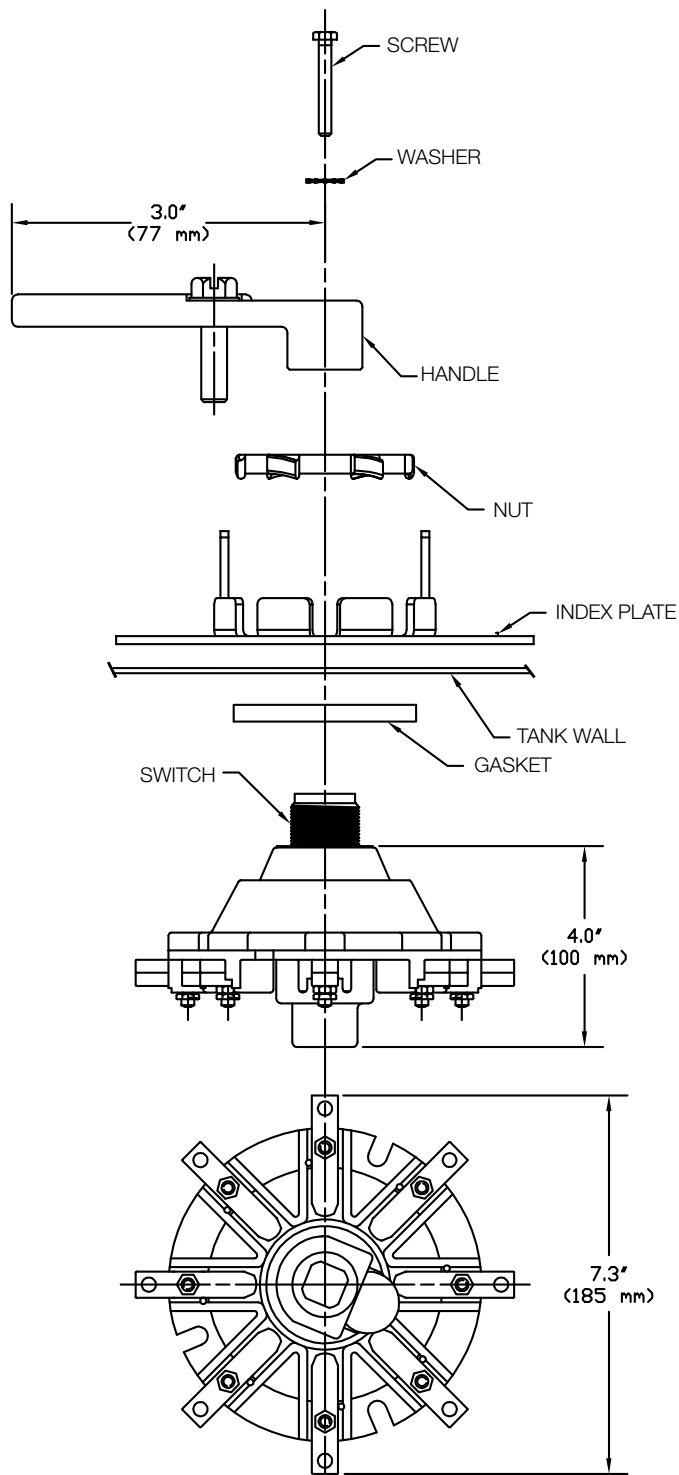


Figure 1. One-phase switch with 3" lever handle.

Note: Dimensions given are for reference only.

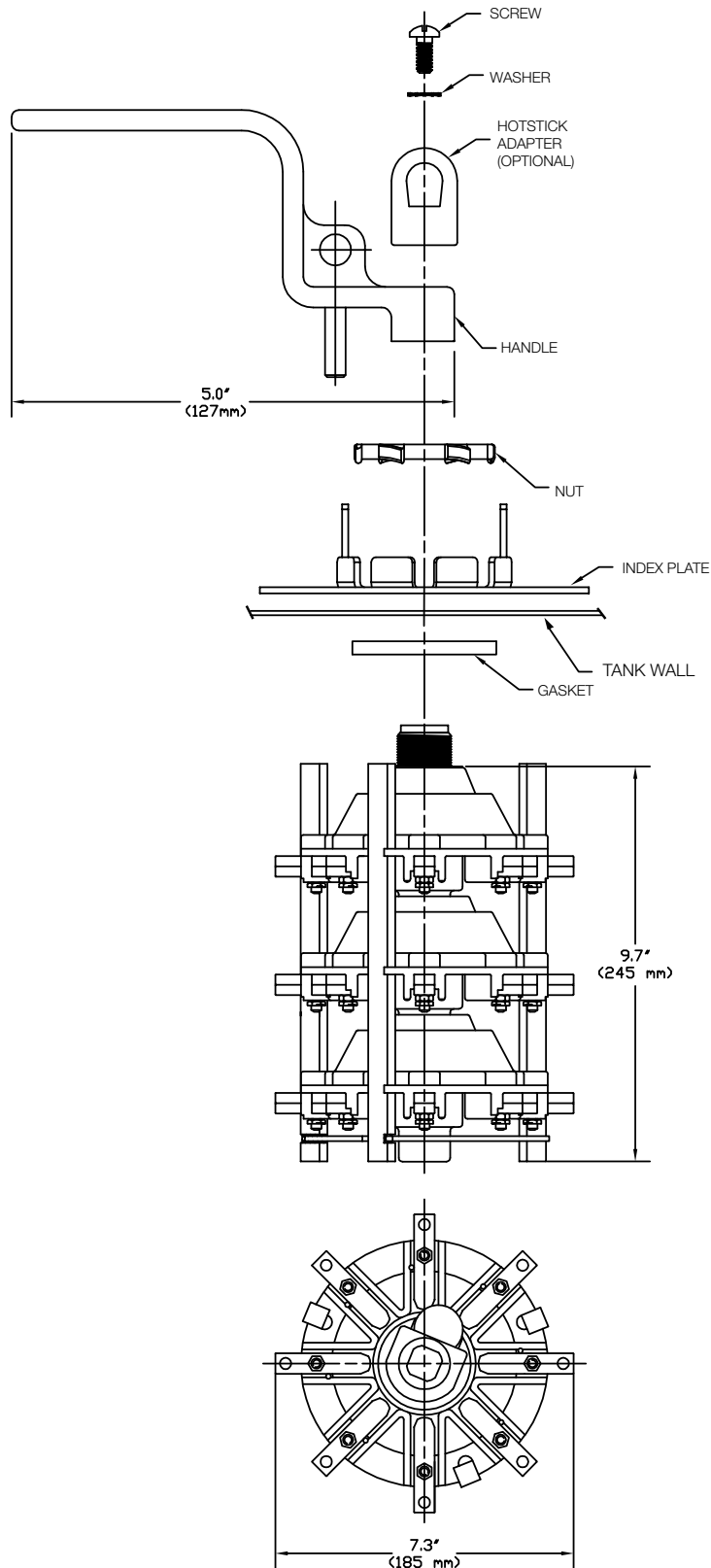


Figure 2. Three-phase switch with optional hotstick handle. (Fibre back plate removed for clarity)

Note: Dimensions given are for reference only.

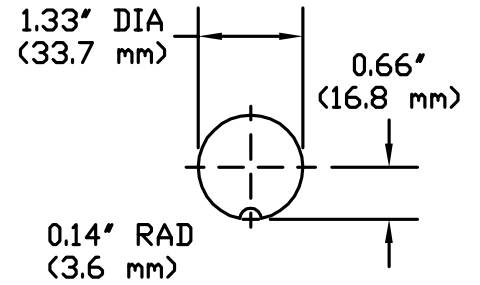


Figure 3. Switch mounting hole.

Table 3. Tap-Changer Switches

Contact Type	Catalog Number
	Switch Only
One-Phase Tap-Changer	2237179C01M
Two-Phase Tap-Changer	2237179C04M
Three-Phase Tap-Changer	2237179C02M

Table 4. Hardware Kits

Description	Catalog Number
5-Position Switches	
Single-Phase, 3 inch Lever Handle, A - E	2237947A20H
Single-, Two-, and Three-Phase, 5 inch* Lever Handle, A - E	2237947A17H
Single-, Two-, and Three-Phase, 5 inch* Hotstick Operable Lever Handle, A - E	2237947A18H
Single-, Two-, and Three-Phase, 5 inch* Lever Handle, 1 - 5	2237947A371H
Single-, Two-, and Three-Phase, 5 inch* Hotstick Operable Lever Handle, 1 - 5	2237947A372H
7-Position Switches	
Single-Phase, 3 inch Lever Handle, A - G	2237947A266H
Single-, Two-, and Three-Phase, 5 inch* Lever Handle, A - G	2237947A263H
Single-, Two-, and Three-Phase, 5 inch* Hotstick Operable Lever Handle, A - G,	2237947A265H
Single-, Two-, and Three-Phase, 5 inch* Lever Handle, 1 - 7	2237947A373H
Single-, Two-, and Three-Phase, 5 inch* Hotstick Operable Lever Handle, 1 - 7	2237947A374H
Hotstick Adapter Kit for Lever Handle Hardware Kit	2237913B01M

* All 5 inch lever handles are padlockable.

Ordering information

To order a 300 A tap-changer switch, specify catalog numbers for one switch and one hardware kit.

If other options, including cover mounting, are desired, contact your Eaton representative.

Eaton
1000 Eaton Boulevard
Cleveland, OH 44122
United States
Eaton.com

Eaton's Cooper Power Systems Division
2300 Badger Drive
Waukesha, WI 53188
United States
Eaton.com/cooperpowerseries

© 2015 Eaton
All Rights Reserved
Printed in USA
Publication No. CA800004EN

Eaton and Cooper Power are valuable trademarks of Eaton in the U.S. and other countries. You are not permitted to use these trademarks without the prior written consent of Eaton.

Viton® is a registered trademark of DuPont Performance Elastomers.

IEEE Std C57.12™ standard is a trademark of the Institute of Electrical and Electronics Engineers, Inc., (IEEE). This publication/product is not endorsed or approved by the IEEE. Envirotemp™ and FR3™ are licensed trademarks of Cargill, Incorporated.

For Eaton's Cooper Power series tap-changer switch product information call 1-877-277-4636 or visit: www.eaton.com/cooperpowerseries.