

200 A 35 kV class three-phase loadbreak portable feedthru



General

Eaton's Cooper Power™ series 200 A, 35 kV Class three-phase loadbreak portable feedthru provides two internally bused 21.1/36.6 kV loadbreak interfaces meeting all requirements of IEEE Std 386™-2006 standard – 200 A Loadbreak Interface No. 1, 21.1/36.6 kV (large 35 kV Class interface). It is used in pad-mounted equipment, underground vaults, and other apparatus to bypass transformers, to test and ground circuits, and to provide open point deadfront lightning arrester protection when used with Eaton's Cooper Power series M.O.V.E. arrester. Sectionalizing of cable runs to find and isolate cable faults is made easy when the portable feedthru is used with large 35 kV Class (21.1/36.6 kV) three-phase rated loadbreak elbows and other accessories meeting the requirements of IEEE Std 386™-2006 standard.

The 21.1 /36.6 kV three-phase rated portable feedthru should not be used with 21.1 kV single-phase rated loadbreak elbow connectors or grounding elbows. For quick identification, Eaton's Cooper Power series 21.1/36.6 kV three-phase rated portable feedthrus are color coded with purple nose pieces. Mating 21.1/36.6 kV three-phase rated loadbreak elbow connectors (*Document 500-41, 200 A 35 kV Class Three-Phase (Purple Cuff) Loadbreak Elbow Connector*) have a molded purple cuff. Single-phase rated products are color coded with tan nose pieces and molded tan cuffs. When mated with comparably rated products, the portable feedthru provides a fully shielded, submersible, separable connection for loadbreak operation.

The portable feedthru is designed to be installed in a double parking stand mounted on a transformer or other apparatus. It is available with either horizontal or vertical mountings. The vertical feedthru is used when parking stand configurations on apparatus will not accommodate the horizontal feedthru. In both types, the feedthru is secured in a stainless steel bracket with a stainless steel hold-down bolt equipped with a brass pressure foot. The drain wire lug on the bracket allows attachment of a drain wire to ensure deadfront construction.

EATON

Powering Business Worldwide

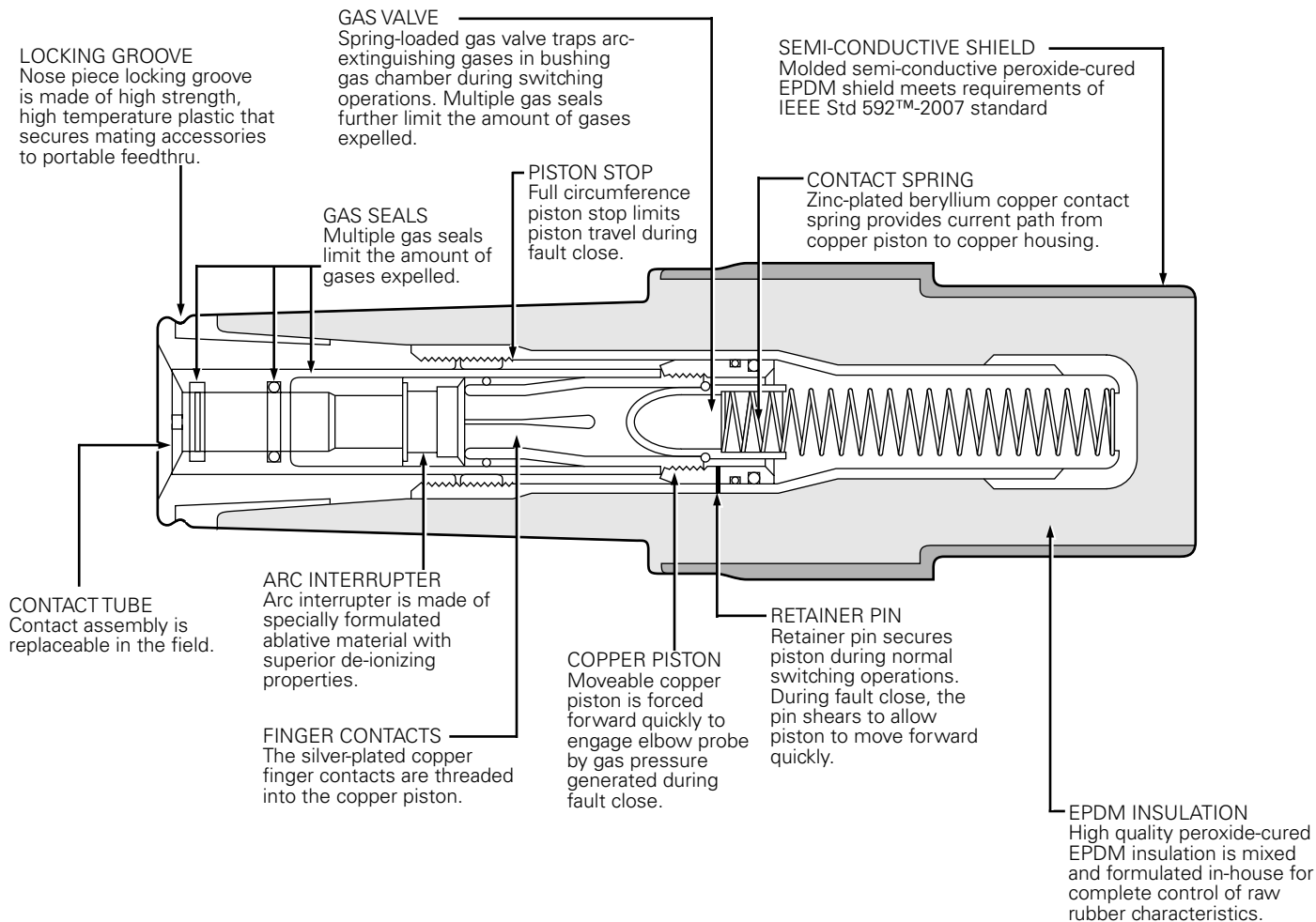


Figure 1. Three-phase portable feedthru cutaway shown.

Table 1. Voltage Ratings and Characteristics

Description	kV
Standard Voltage Class	35
Maximum Rating Phase-to-Phase	36.6
Maximum Rating Phase-to-Ground	21.1
AC 60 Hz 1 Minute Withstand	50
DC 15 Minute Withstand	103
BIL and Full Wave Crest	150
Minimum Corona Voltage Level	26

Voltage ratings and characteristics are in accordance with IEEE Std 386™-2006 standard.

Installation

No special tools are required. A clampstick tool is used to place the portable feedthru in a double parking stand on the apparatus front plate. Refer to *Service Information S500-14-1 200 A 15, 25, and 35 kV Class Portable Feedthru Installation Instructions* for details.

Production tests

Tests conducted in accordance with IEEE Std 386™-2006 standard:

- ac 60 Hz 1 Minute Withstand
 - 50 kV
- Minimum Corona Voltage Level
 - 26 kV

Tests are conducted in accordance with Eaton requirements.

- Physical Inspection
- Periodic Dissection
- Periodic Fluoroscopic (X-ray) Analysis

Table 2. Current Ratings and Characteristics

Description	Amperes
Continuous	200 A rms
Switching	10 operations at 200 A rms at 36.6 kV
Fault Closure	10,000 A rms symmetrical at 36.6 kV for 0.17 s after 10 switching operations.
Short Time	10,000 A rms symmetrical for 0.17 s 3,500 A rms symmetrical for 3.0 s

Current ratings and characteristics are in accordance with IEEE Std 386™-2006 standard.

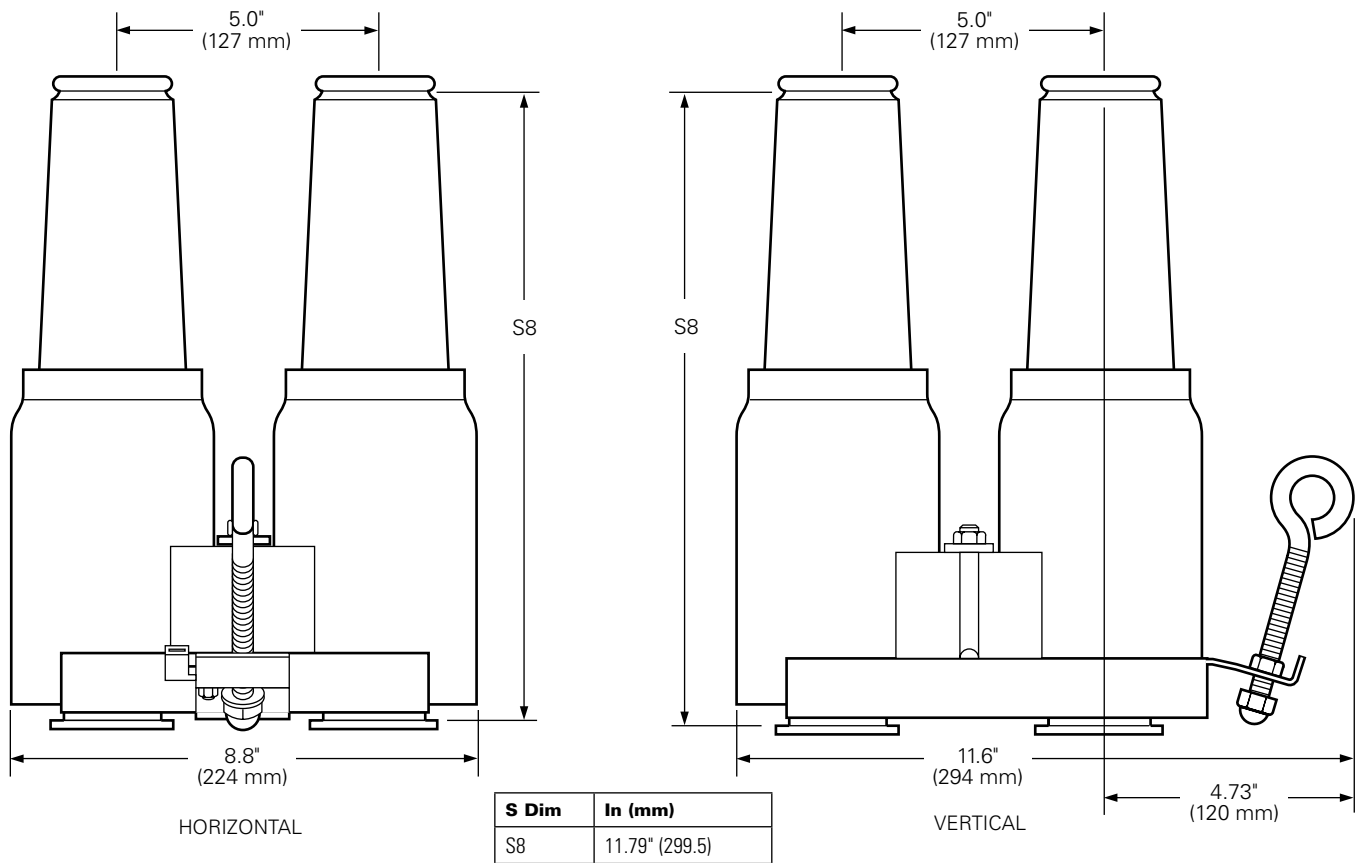


Figure 2. Horizontal and vertical feedthru dimensional drawings with brackets, drain wire lugs and eyebolts.

Note: Dimensions given are for reference only.

Ordering information

To order the 35 kV Class three-phase portable feedthru kits, refer to Table 3.

Each kit contains:

- Portable Feedthru with Bracket
- Shipping Caps (not for energized operation)
- Installation Instruction Sheet

Table 3. Portable Feedthrus

Description	Catalog Number
Horizontal Feedthru	LPF235H
Vertical Feedthru	LPF235V

Table 4. Replacement Parts

Description	Catalog Number
Contact Tube Assembly	2637407B04B
Contact Tube Replacement Tool	2637585B01
Shipping Cap	2606754A02

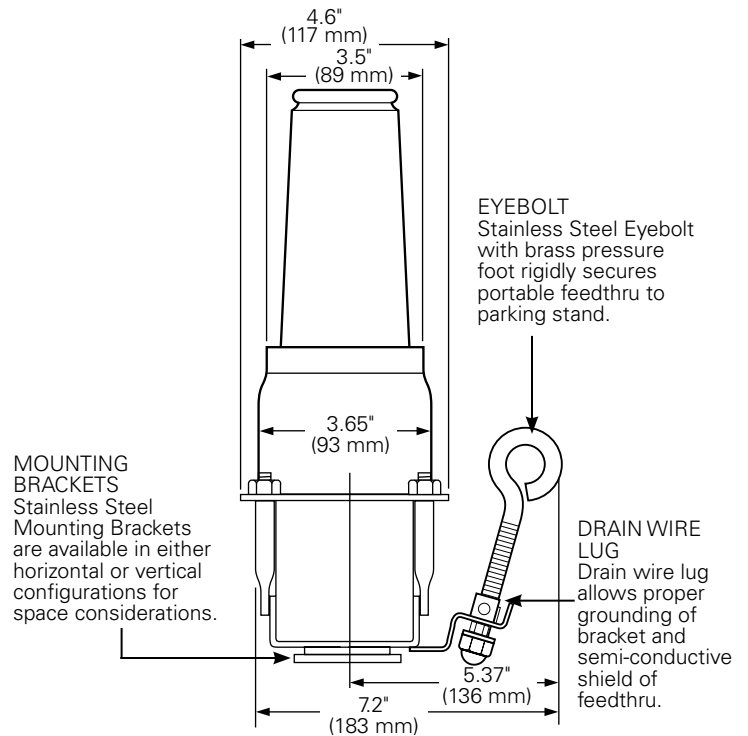


Figure 3. Portable feedthru sideview with bracket, drain wire lug and eyebolt.

Note: Dimensions given are for reference only.

Eaton
1000 Eaton Boulevard
Cleveland, OH 44122
United States
Eaton.com

Eaton's Cooper Power Systems Division
2300 Badger Drive
Waukesha, WI 53188
United States
Cooperpower.com

© 2015 Eaton
All Rights Reserved
Printed in USA
Publication No. CA650015EN

Eaton and Cooper Power are valuable trademarks of Eaton in the U.S. and other countries. You are not permitted to use these trademarks without the prior written consent of Eaton.
IEEE Std 592™-2007 and Std 386™-2006 standards are trademarks of the Institute of Electrical and Electronics Engineers, Inc., (IEEE). This publication is not endorsed or approved by the IEEE.

For Eaton's Cooper Power series loadbreak portable feedthru product information call 1-877-277-4636 or visit: www.cooperpower.com.