

100 A externally operated one-, two- and three-phase tap-changer switch

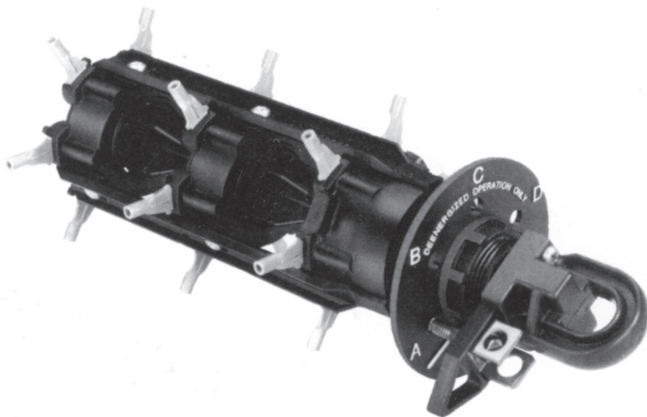
General

Eaton eliminates many of the hazards associated with manual internal tap-changing of distribution transformers with its Cooper Power™ series 100 A externally operated one-, two- and three-phase under-oil tap-changer switch family. Line crews need not be exposed to high voltage conductors and hot transformer fluids. External operation also eliminates the need to dismount and open pole-type transformers for voltage adjustment, which exposes the transformer tank interior to contamination.

The tap-changer switch is designed for use in distribution transformers filled with transformer oil (mineral oil), Envirotemp™ FR3™ fluid, or an approved equivalent.

The switch body, rotor, and shaft are made of a high strength, glass-filled thermoplastic material. The operating shaft is sealed against leakage by two high temperature resistant Viton® O-Rings.

(Image on top left, one-phase tap-changer with cap/wrench, image lower left three-phase tap-changer with padlockable flexible hookstick pointer handle and index plate.)



EAT•N

Powering Business Worldwide

Handle Options

Handle options include a cap/wrench, 2.25" lever (metal or thermoplastic), and hookstick-operable. The cap/ wrench features a white arrow inside the handle for position indication, and has a one-way-in/one-way-out operating feature that ensures positive operation. The threaded cap protects the shaft seal from contamination. The lever handle has an indexing screw to ensure complete, positive switch contact. The lever handle can be ordered with an optional pad-lockable feature. The hookstick handle is available in flexible, multi-piece, or rigid, one-piece configurations, with pad-lockable option available. (See Tables 5 and 8 for a complete listing.)

Stationary contacts

For ease of connection, the following optional stationary contacts are available: bolt tabs, or 14-16 AWG, 12-10 AWG, or 8 AWG crimp terminals.

Installation

No special tools are required. The switch body is installed through a keyed 1.33 inch (34 mm) hole in the tank wall and sealed by an inside gasket. An outer sealing nut is tightened to a torque of 80 to 120 in.-lb. Refer to Installation Instruction Sheet S800-57-1 for details.

Table 1. Voltage Ratings and Characteristics

Description	kV
Standard Voltage Class	35 Max.
ac 60 Hz 1 Minute Withstand	50
BIL and Full Wave Crest	150

Voltage ratings and characteristics are in accordance with IEEE Std C57.12.00™-1987 standard (Phase-to-Phase or Phase-to-Ground).

Table 2. Current Ratings and Characteristics

Description	Amperes
Continuous	100 A rms

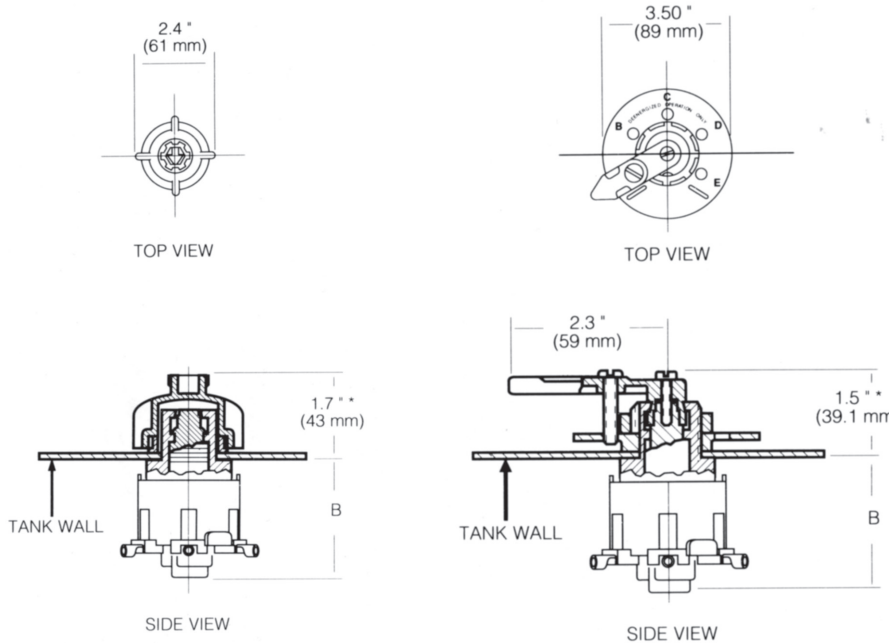


Figure 1. One-Phase Cap/Wrench Operable Switch.

Figure 2. One-Phase Lever Handle Switch.

Table 3. Switch Dimensions in/(mm)

Contact Type	A**	B
Bolt Tabs for 1/4" Bolts Bent 90°	2.91 (74)	2.81 (71)
16-14 AWG Terminals Short Shank	3.48 (88.4)	2.59 (66)
12-10 AWG Terminals Short Shank	3.48 (88.4)	2.59 (66)
8 AWG Terminals Short Shank	3.57 (90.7)	2.59 (66)
Bolt Tab Straight	4.47 (113)	2.59 (66)
16-14 AWG Terminals Long Shank	4.20 (107)	2.59 (66)
12-10 AWG Terminals Long Shank	4.20 (107)	2.59 (66)
8 AWG Terminals Long Shank	4.20 (107)	2.59 (66)
Bolt Tab Bent 45° 1/4-20 Threaded Stud	4.39 (113)	2.59 (66)
Bolt Tab Bent 90° 1/4-20 Stud	4.07 (103)	2.81 (71)
6 AWG Terminals Straight	5.74 (146)	2.59 (66)
6 AWG Terminals 45°	4.90 (125)	2.84 (73)

** "A" dimension reflects use of standard length terminals on one-phase switches.

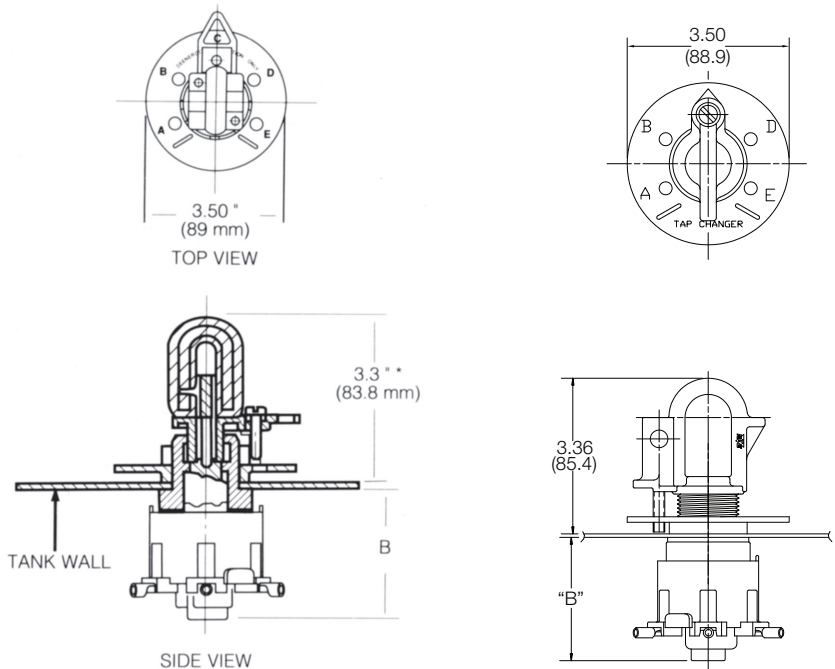


Figure 3. One-Phase Flexible Hookstick Handle Switch.

Figure 4. One-Phase Rigid 1-Piece Hookstick Handle Switch.

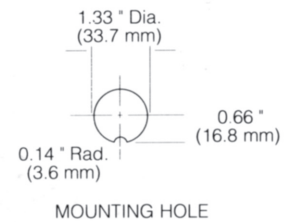


Figure 5. One-Phase Mounting Hole and Switch with and without Terminal Posts.

Note: Dimensions given are for reference only.

* Dimensions will decrease as tank wall thickness increases. Maximum dimensions given with 14 gauge tank wall.

Ordering Information

One-phase switch

To order a one-phase 100 A tap-changer switch, specify catalog numbers for one switch and one handle kit.

Table 4. One-Phase Switch

Contact Type	Catalog Number
Tap-Changer without Terminal Posts	
Bolt Tab - Bent 90° Accepts 1/4 inch Hardware	2237500C01
16-14 AWG Terminals	2237500C02
12-10 AWG Terminals	2237500C03
8 AWG Terminals	2237500C04
6 AWG Terminals Straight	2237500C134
6 AWG Terminals 45°	2237500C135
16-14 AWG Terminals Long Shank	2237500C12
12-10 AWG Terminals Long Shank	2237500C13
8 AWG Terminals Long Shank	2237500C14
Tap-Changer with Terminal Posts	
Bolt Tab - Bent 90° Accepts 1/4 inch Hardware	2237500C06
16-14 AWG Terminals	2237500C07
12-10 AWG Terminals	2237500C08
8 AWG Terminals	2237500C09
6 AWG Terminals Straight	2237500C136
6 AWG Terminals 45°	2237500C137
16-14 AWG Terminals Long Shank	2237500C17
12-10 AWG Terminals Long Shank	2237500C18
8 AWG Terminals Long Shank	2237500C19

Note: Special Switch and Hardware Kits available on request. Contact your Eaton representative for more information.

Table 5. One-Phase Handle Kits

Contact Type	Catalog Number
Handle Kits	
Cap/Wrench Combination Handle	2237947A14H
Lever Handle, 2.25 inch, Metal Position A-E	2237947A39H
Cap Wrench with Index Plate Position A-E	2237947A46H
Pad-lockable Lever Handle, 2.25 inch, Metal Position A-E	2237947A44H
Flexible Hookstick Handle, 2.25 inch Position A-E	2237947A127H
Pad-lockable Flexible Hookstick Handle, 2.25 inch Position A-E	2237947A195H
2.25 inch Thermoplastic Lever Handle	
100 A Tap-Changer Position A - E	2237947A161H
100 A Tap-Changer Position 1 - 5	2237947A162H
One-Piece Rigid Pad-lockable Hotstick Handle	
100 A Tap-Changer Position A - E	2237947A301H
100 A Tap-Changer Position 1 - 5	2237947A302H

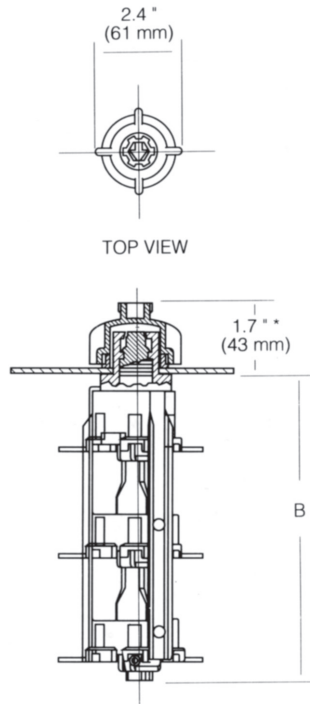


Figure 6. Two- and Three-Phase Cap/Wrench Operable Switch.

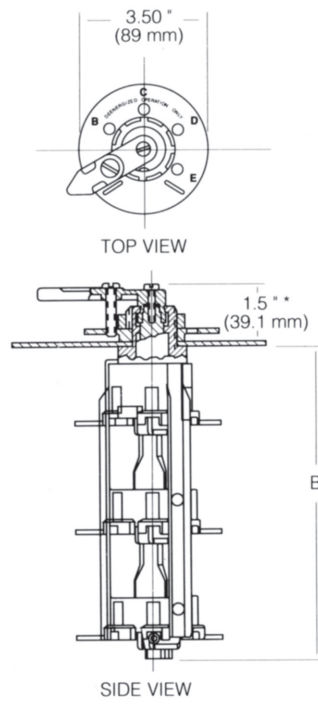


Figure 8. Two- and Three-Phase Lever Handle Switch.

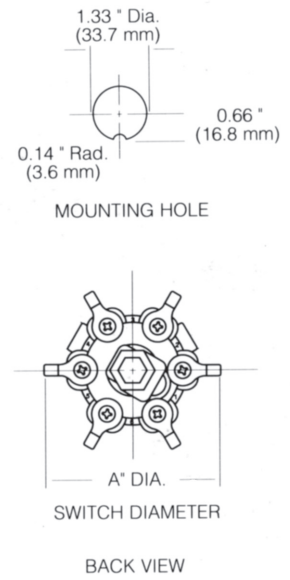


Figure 10. Two- and Three-Phase Mounting Hole and Switch Diameter.

Note: Dimensions given are for reference only.

* Dimensions will decrease as tank wall thickness increases. Maximum dimensions given with 14 gauge tank wall.

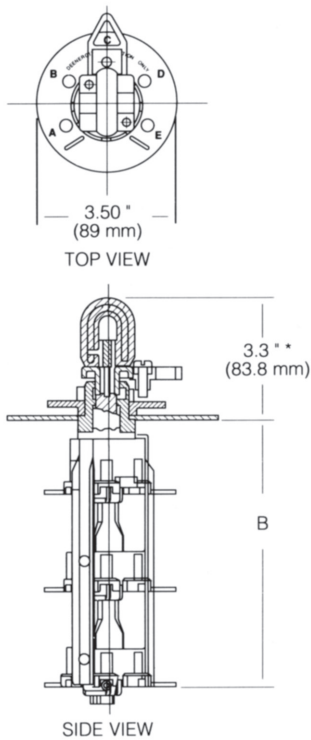


Figure 7. Two- and Three-Phase Flexible Hookstick Handle Switch.

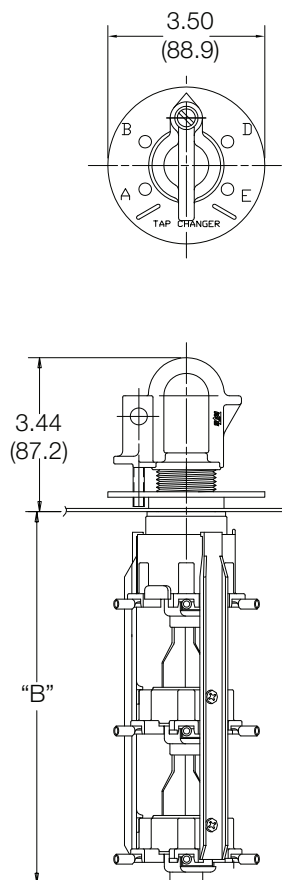


Figure 9. One-Piece Rigid Hookstick Handle.

Table 6. Switch Dimensions in/(mm)

Contact Type	A*	B (20)	B (30)
Bolt Tabs 90°	2.91 (74)	5.35 (135.9)	8.20 (208.3)
Bolt Tabs Straight	4.47 (113.4)	5.35 (135.9)	8.20 (208.3)
16-14 AWG Terminals Short Shank	4.20 (106.6)	5.35 (135.9)	8.20 (208.3)
12-10 AWG Terminals Short Shank	4.20 (106.6)	5.35 (135.9)	8.20 (208.3)
8 AWG Terminals Short Shank	4.20 (106.6)	5.35 (135.9)	8.20 (208.3)
Bolt Tab Bent 45° 1/4-20 Threaded Stud	4.38 (113)	5.43 (139)	8.36 (212)
Bolt Tab Bent 90° 1/4-20 Threaded Stud	4.07 (103)	5.56 (141)	8.55 (217)
6 AWG Terminals Straight	5.74 (146)	5.35 (136)	8.20 (208)
6 AWG Terminals 45°	4.90 (125)	5.60 (142)	8.45 (215)

* "A" dimension reflects use of long shank terminals on two-phase and three-phase switches.

Ordering information

Two- and Three-phase switch

To order a two-phase or three-phase 100 A tap-changer switch, specify catalog numbers for one switch and one handle kit.

Table 7. Two- and Three-Phase Switches

Contact Type	Catalog Number
Two-Phase Switches	
Bolt Tab - Bent 90° Accepts 1/4 inch Hardware	2237500C20
Bolt Tab Straight	2237500C21
16-14 AWG Terminals Long Shank	2237500C22
12-10 AWG Terminals Long Shank	2237500C23
8 AWG Terminals Long Shank	2237500C24
Bolt Tab - Bent 45° with 1/4 inch Stud	2237500C26
6 AWG Terminals Straight	2237500C138
6 AWG Terminals 45°	2237500C139
Three-Phase Switches	
Bolt Tab - Bent 90° Accepts 1/4 inch Hardware	2237500C30
Bolt Tab Straight	2237500C31
16-14 AWG Terminals Long Shank	2237500C32
12-10 AWG Terminals Long Shank	2237500C33
8 AWG Terminals Long Shank	2237500C34
Bolt Tab Bent 45° Accepts 1/4 inch Hardware	2237500C35
Bolt Tab Bent 45° with 1/4 inch Stud	2237500C36
Bolt Tab Bent 90° with 1/4 inch Stud	2237500C39
Bolt Tab Bent 45° with 1/4 inch Stud (Decks 1 & 2), Bolt Tab Bent 90° with 1/4 inch Stud (Deck 3)	2237500C141
6 AWG Terminals Straight	2237500C144
6 AWG Terminals 45°	2237500C145

Note: Special Switch and Hardware Kits available on request. Contact your Eaton representative for more information.

Table 8. Two- and Three-Phase Handle Kits

Contact Type	Catalog Number
Handle Kits	
Cap/Wrench Combination Handle	2237947A14H
Lever Handle, 2.25 inch, Metal Position A-E	2237947A39H
Cap Wrench with Index Plate Position A-E	2237947A46H
Pad-lockable Lever Handle, 2.25 inch, Metal Position A-E	2237947A44H
Flexible Hookstick Handle, 2.25 inch Position A-E	2237947A127H
Pad-lockable Flexible Hookstick Handle, 2.25 inch Position A-E	2237947A195H
2.25 inch Thermoplastic Lever Handle	
100 A Tap-Changer Position A - E	2237947A161H
100 A Tap-Changer Position 1 - 5	2237947A162H
One-Piece Rigid Pad-lockable Hotstick Handle	
100 A Tap-Changer Position A - E	2237947A301H
100 A Tap-Changer Position 1 - 5	2237947A302H

This page intentionally left blank.

Eaton

1000 Eaton Boulevard
Cleveland, OH 44122
United States
Eaton.com

Eaton's Cooper Power Systems Division

2300 Badger Drive
Waukesha, WI 53188
United States
Eaton.com/cooperpowerseries

© 2015 Eaton
All Rights Reserved
Printed in USA
Publication No. CA800003EN

Eaton and Cooper Power are valuable trademarks of Eaton in the U.S. and other countries. You are not permitted to use these trademarks without the prior written consent of Eaton.

IEEE Std C57.12.00™-1987 standard is a trademark of the Institute of Electrical and Electronics Engineers, Inc., (IEEE). This publication is not endorsed or approved by the IEEE.

Viton® is a registered trademark of E. I. DuPont de Nemours and Company. Envirotemp™ and FR3™ are licensed trademarks of Cargill, Incorporated.

For Eaton's Cooper Power series tap-changer switch product information call 1-877-277-4636 or visit: www.eaton.com/cooperpowerseries.