

Loadbreak Apparatus Connectors

200 A 15 kV Class Elbow with 5 kV Cable Adapter and Optional Integral Jacket Seal* Installation Instructions

Service Information
S500-10-2

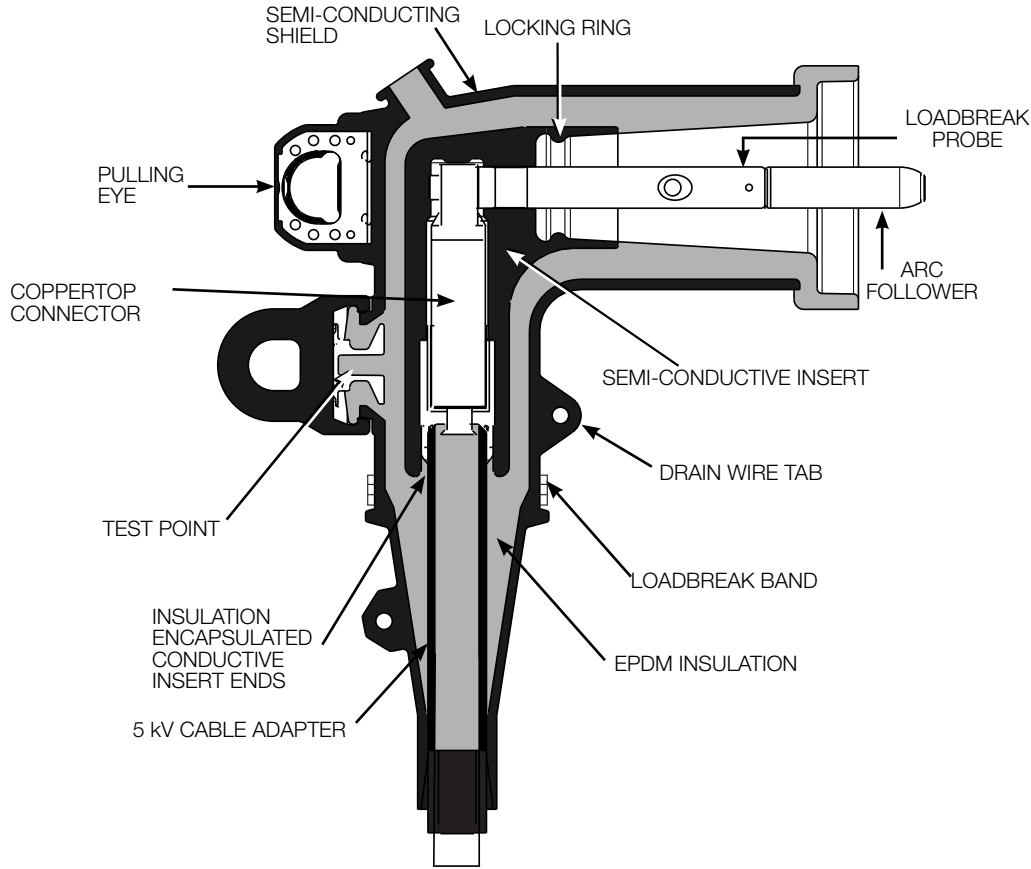


Figure 1.
Line illustration of 200 A 15 kV Loadbreak Elbow with 5 kV Cable Adapter.

Contents

General	1
Safety Information	2
Product Information	3
Installation Procedures	3
Preparation of Concentric Neutral Cable	3
Elbow and Loadbreak Probe Installation	6
Operating Instructions	8
Loadmake Operation	8
Fault Close	8
Loadbreak Operation	8

! WARNING:

All associated apparatus must be de-energized during any hands-on installation or maintenance. Failure to comply could result in death, severe personal injury and equipment damage.

! WARNING:

Optional Capacitive Test Point Operating Instructions: Use only voltage indicating instruments specifically designed for test points. Use of conventional voltage sensing devices may provide false "No Voltage" indications.

The test point must be dry and free of contaminants when checking for voltage. After indication is taken: clean, dry, and lubricate the test point cap with silicone grease and assemble to the test point.

Always consider the termination to be energized until the test point "No Voltage" indication is confirmed by other means. Failure to comply could result in death or severe personal injury.



SAFETY FOR LIFE



Eaton's Cooper Power Systems products meet or exceed all applicable industry standards relating to product safety. We actively promote safe practices in the use and maintenance of our products through our service literature, instructional training programs, and the continuous efforts of all Eaton's Cooper Power Systems employees involved in product design, manufacture, marketing and service.

We strongly urge that you always follow all locally approved safety procedures and safety instructions when working around high-voltage lines and equipment and support our "Safety For Life" mission.

SAFETY INFORMATION

The instructions in this manual are not intended as a substitute for proper training or adequate experience in the safe operation of the equipment described. Only competent technicians, who are familiar with this equipment should install, operate and service it.

A competent technician has these qualifications:

- *Is thoroughly familiar with these instructions.*
- *Is trained in industry-accepted high- and low-voltage safe operating practices and procedures.*
- *Is trained and authorized to energize, de-energize, clear, and ground power distribution equipment.*
- *Is trained in the care and use of protective equipment such as flash clothing, safety glasses, face shield, hard hat, rubber gloves, clampstick, hotstick, etc.*

Following is important safety information. For safe installation and operation of this equipment, be sure to read and understand all cautions and warnings.

Hazard Statement Definitions

This manual may contain four types of hazard statements:

⚠ DANGER:

Indicates a hazardous situation which, if not avoided, will result in death or serious injury.

⚠ WARNING:

Indicates a hazardous situation which, if not avoided, could result in death or serious injury.

⚠ CAUTION:

Indicates a hazardous situation which, if not avoided, could result in minor or moderate injury.

CAUTION: Indicates a hazardous situation which, if not avoided, could result in equipment damage only.

Safety Instructions

Following are general caution and warning statements that apply to this equipment. Additional statements, related to specific tasks and procedures, are located throughout the manual.

⚠ DANGER:

Hazardous voltage. Contact with high voltage will cause death or severe personal injury. Follow all locally approved safety procedures when working around high- and low-voltage lines and equipment.

⚠ WARNING:

Before installing, operating, maintaining, or testing this equipment, carefully read and understand the contents of this manual. Improper operation, handling or maintenance can result in death, severe personal injury, and equipment damage.

⚠ WARNING:

This equipment is not intended to protect human life. Follow all locally approved procedures and safety practices when installing or operating this equipment. Failure to comply may result in death, severe personal injury and equipment damage.

⚠ WARNING:

Power distribution and transmission equipment must be properly selected for the intended application. It must be installed and serviced by competent personnel who have been trained and understand proper safety procedures. These instructions are written for such personnel and are not a substitute for adequate training and experience in safety procedures. Failure to properly select, install or maintain power distribution and transmission equipment can result in death, severe personal injury, and equipment damage.

PRODUCT INFORMATION

Introduction

Eaton's Cooper Power Systems Loadbreak Elbow Connector is a fully-shielded and insulated plug-in termination for connecting underground cable to transformers, switching cabinets and junctions equipped with loadbreak bushings. The elbow connector and bushing insert comprise the essential components of all loadbreak connections.

Read This Manual First

Read and understand the contents of this manual and follow all locally approved procedures and safety practices before installing or operating this equipment

Additional Information

These instructions cannot cover all details or variations in the equipment, procedures, or process described nor provide directions for meeting every possible contingency during installation, operation, or maintenance. When additional information is desired to satisfy a problem not covered sufficiently for the user's purpose, please contact

your Eaton's Cooper Power Systems sales representative.

Acceptance and Initial Inspection

Each Loadbreak Elbow Connector is completely inspected and tested at the factory. It is in good condition when accepted by the carrier for shipment. Upon receipt of a Loadbreak Elbow Connector Kit, inspect the connector thoroughly for damage and loss of parts incurred during shipment. If damage or loss is discovered, file a claim with the carrier immediately.

Handling and Storage

If the Loadbreak Elbow Connector is to be stored for an appreciable time before installation, provide a clean, dry storage area. Locate the connector so as to minimize the possibility of physical damage.

Quality Standards

ISO 9001 Certified Quality Management System

INSTALLATION PROCEDURES

Cable stripping and scoring tools, available from various tool manufacturers, are recommended for use when installing loadbreak elbows. After preparing the cable, the elbow housing is pushed onto the cable. The load-break probe is threaded into the coppertop connector using the supplied installation tool or an approved equivalent. Use a clampstick to perform loadmake and loadbreak operations. **(See page 8 for operating instructions.)**

Complete elbow kit includes:

- Standard 15 kV "CC" Elbow Body or 15 kV "CC" Elbow Body with Jacket Seal
- Coppertop Compression Connector
- Loadbreak Probe
- Probe Installation Tool
- Silicone Lubricant
- Mastic Strips (**Jacket Seal Elbow Only**)
- Installation Instruction Sheet

Tools/Accessories needed:

- Tape Measure
- Wire Brush
- Knife
- Cable Stripping Tool
- Crimping Tool
- Cable Cleaner
- Cable Cutters
- Emery Cloth
- Clampstick
- Personal Protection Equipment

PREPARATION OF CONCENTRIC NEUTRAL CABLE

NOTE: Stripbacks shown in these instructions for concentric neutral cable are the same for tape shielded and drain wire cables. Refer to shield adapter kit being used for metallic shield stripbacks.

Cable Training

Position cable vertically so that it is centered between apparatus bushing and parking pocket, parallel to the apparatus frontplate. Provide adequate slack in the cable to permit unrestricted movement of the elbow connector from the apparatus bushing to a standoff bushing or portable feedthru.

Once installed, the cable should enter the elbow connector in a straight line. Avoid a tight bend radius at the cable entrance of the elbow that causes the elbow to bend. (See Figure 2.)

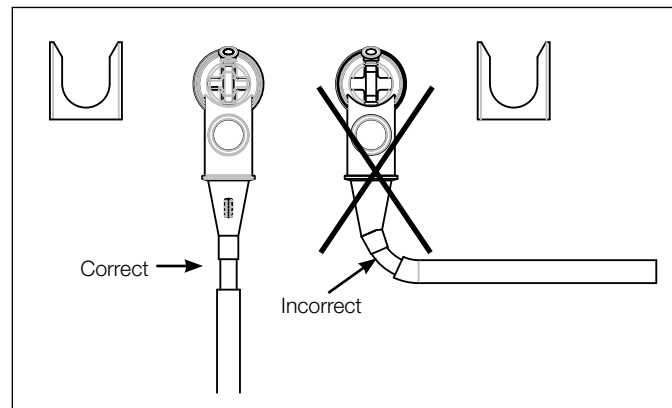
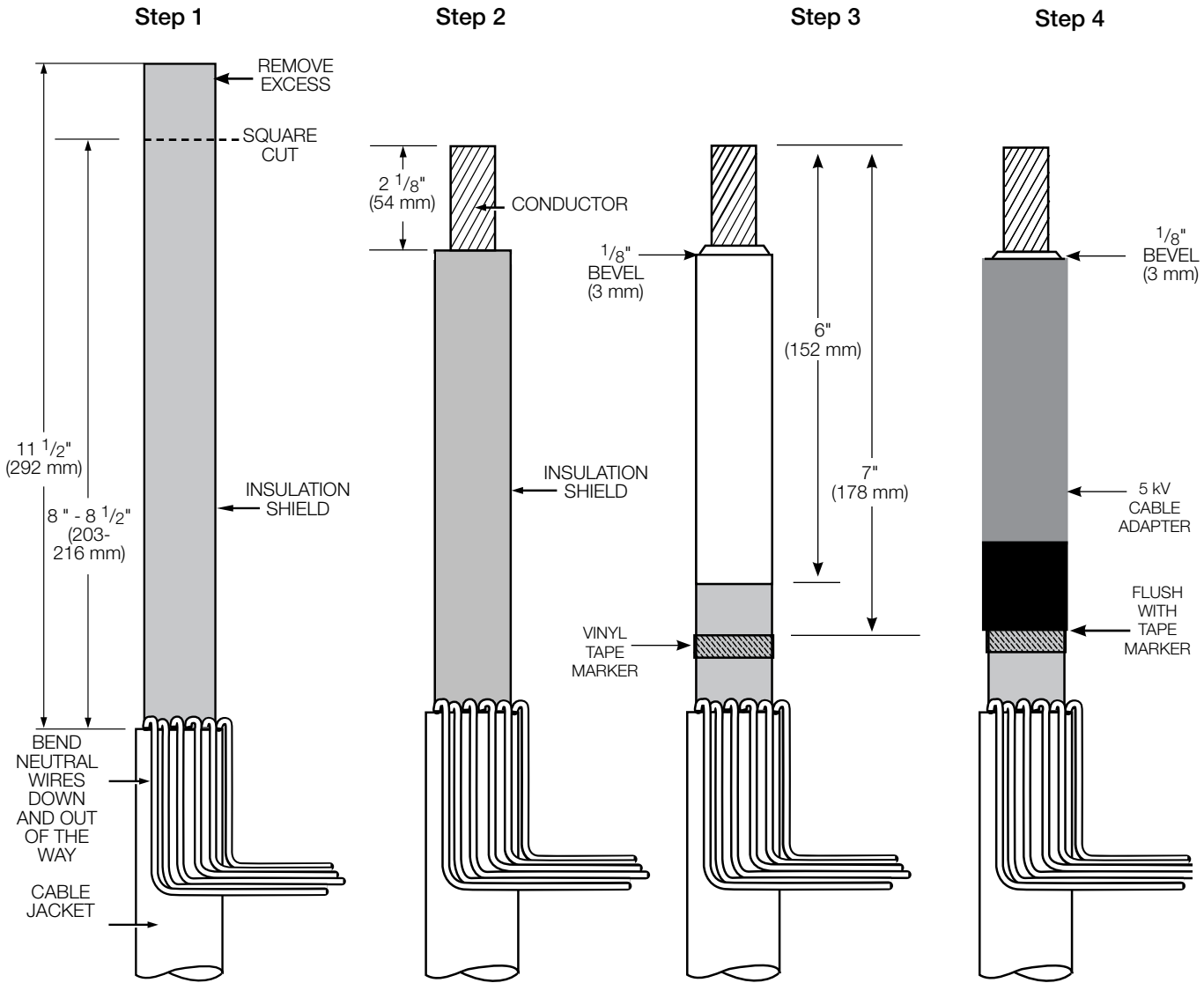


Figure 2.
Proper Cable Training.



STEP 1

Measure down from top of the cable a minimum of 11 1/2" (292 mm).
 Remove cable jacket (if jacketed cable is used) to expose neutral wires.
 Unwind neutral wires.
 Measure up 8" to 8 1/2" (203 to 216 mm) and make a square cut to remove excess cable.

STEP 2

Measure down from the top of the cable 2 1/8".
 Remove the insulation and conductor shield to expose the bare conductor. Take care not to nick the conductor.

STEP 3

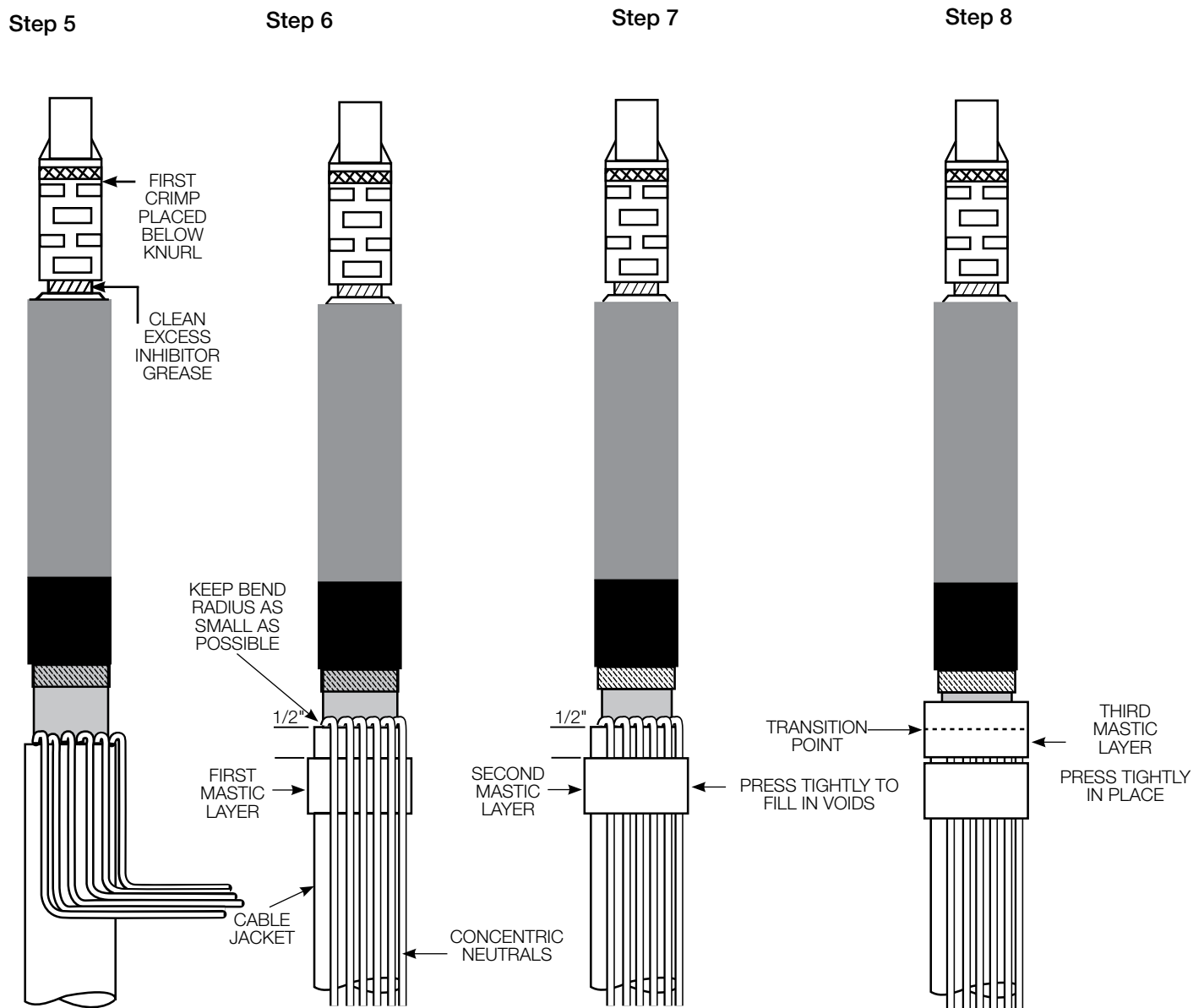
Measure down from the top of the exposed conductor 6".
 Remove the insulation shield, taking care not to nick or gouge the insulation.
 Measure down from the top of the exposed conductor 7" and apply vinyl tape marker.
 Place a 1/8" bevel on the insulation to ease cable adapter and elbow installation.

STEP 4

Clean the insulation with a lint free cloth saturated with a cleaning solution. Wipe the insulation towards the insulation shield.
 Apply a thin layer of supplied lubricant to the cable insulation and inner bore of the 5 kV cable adapter.
 Slide the cable adapter over the cable until the black end of the adapter is flush with the top of the vinyl tape marker. A positive stop as the step in the cable adapter meets the insulation shield will also be felt.

STEP 5

Clean the exposed conductor using a wire brush.
NOTE: The probe (male contact) should be preassembled into the threads of the compression connector prior to crimping to ensure proper thread engagement.
 Place the coppertop (bimetal) connector on the conductor. Make sure the threaded hole in connector faces the apparatus bushing.
 Crimp the connector in place using a tool and die combination and minimum suggested number of crimps () as shown in Table 1 on page 8. Start crimping just below



the knurled line and rotate each successive crimp to prevent bowing. Do not overlap crimps.

Clean excess inhibitor grease from coppertop connector by wiping toward threaded eye.

Smooth any sharp edges on the crimp connector surface.

NOTE: If Eaton's Cooper Power Systems Standard Elbow is used, proceed to Step 10. If Eaton's Cooper Power Systems Integral Jacket Seal Elbow is used, proceed to Step 6.

STEP 6

Apply first supplied mastic strip around the cable jacket approximately 1/2 inch below the point where the jacket is removed. **Do not stretch mastic when installing.**

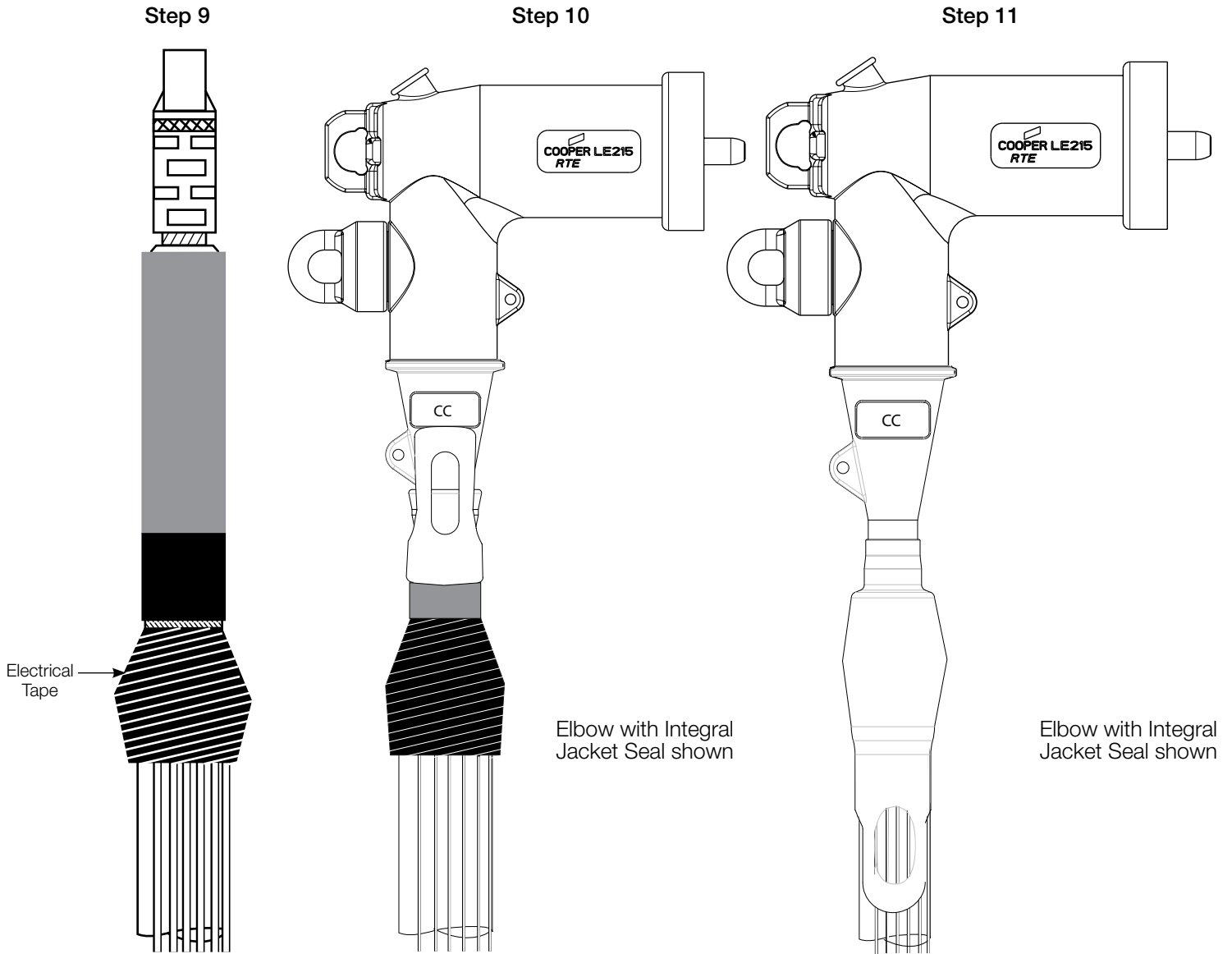
Bend the concentric neutral strands back as tightly as possible against the cable, forming as small a radius as possible. Press the neutral wires into the mastic strip.

STEP 7

Apply second layer of mastic over the neutrals directly on top of the first layer. Press tightly to fill in any voids. **Do not stretch mastic when installing.**

STEP 8

Apply the third layer of mastic centering it on the transition point of the stripped back jacket and insulation shield. Press tightly in place. **Do not stretch mastic when installing.**



STEP 9

Wrap the cable and mastic with one half-lapped layer of vinyl electrical tape (User Supplied). The tape should extend from just above the third mastic applied at the transition point, to just below the first and second mastic onto a portion of the jacket still in place.

ELBOW AND LOADBREAK PROBE INSTALLATION

STEP 10

Clean the outside of the cable adapter with a lint free cloth saturated with a cleaning solution.

Apply a thin layer of supplied lubricant to the cable adapter and the cable entrance of the elbow.

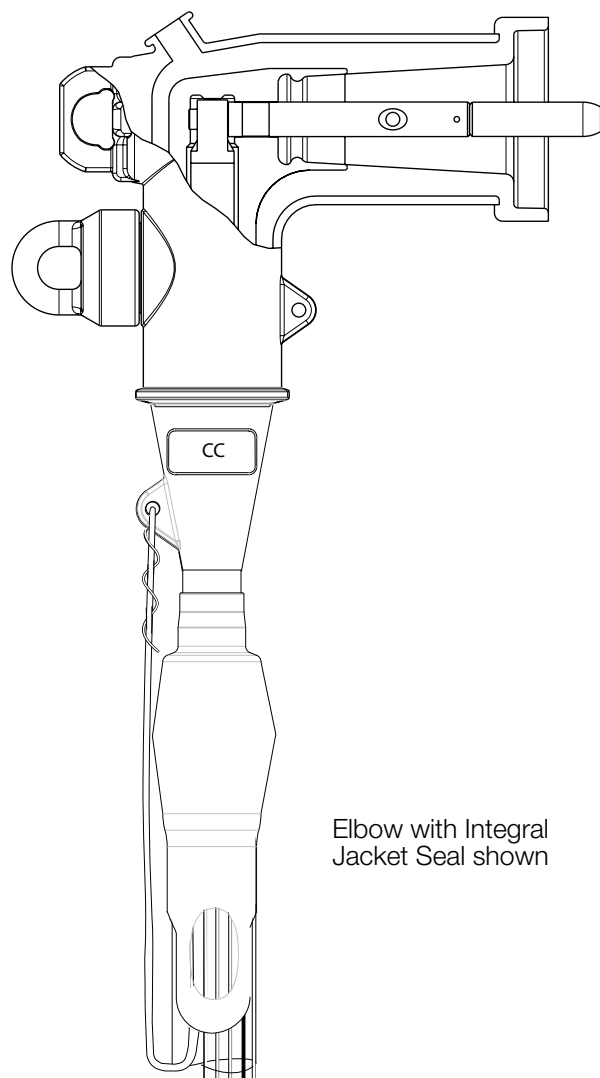
Place the elbow on the cable and with a twisting motion push the elbow downward over the cable adapter until the threaded eye of the coopertop connector is aligned with the elbow.

NOTE: The cable adapter must remain aligned with the vinyl tape marker. If the cable adapter slips down, push back into the elbow cable entrance until aligned with tape marker.

NOTE: If Eaton's Cooper Power Systems Standard Elbow is used, proceed to Step 12. If Eaton's Cooper Power Systems Integral Jacket Seal Elbow is used, proceed to Step 11.

STEP 11

Apply a thin layer of supplied silicone grease over the cable and vinyl tape. Grasping the thumbholes of the jacket seal, pull down firmly over the cable until all of the vinyl tape is covered.

Step 12**STEP 12**

Push down and twist the elbow to align the coppertop compression connector, the threaded hole in the connector should be centered with respect to the hole in the elbow and perpendicular to the probe axis. By hand, insert the probe into the elbow along the center axis of the interface and thread the loadbreak probe into the coppertop connector. A thin layer of silicone lubricant applied to the last 1/4" of the probe body (not on the threads) can aid in installation.

After at least three full turns or when the probe is seated (5 1/2 turns) onto the connector, use the provided installation tool to properly torque the loadbreak probe. Proper torque is applied when the tool twists at least 180° (1/2 turn).

NOTE: If a different installation tool is used it must apply a torque of 100 to 120 lbf-in (11.0 - 13.5 N-m).

Clean and lubricate bushing and elbow interface areas with a thin even coating of the silicone lubricant provided.

Attach a drain wire lead to the drain wire eye of the elbow.

TABLE 1
Crimp Chart

CONNECTOR		5/8" DIAMETER					3/4" DIAMETER			
CONDUCTOR SIZE		NO. 4 THRU 2/0 STRANDED					3/0 - 4/0 STRANDED			
BURNDY®	TOOL	Y34	Y35 OR Y39		MD6		Y34	Y35 OR Y39	MD6	
	DIE	A243 (2)	U243 (2)	UBG (2)	W243 (3)	WBG (2)	U247 (2)	U247 (2)	U467 (2)	W247 (5)
		A25AR (2)	U25ART (2)	U687 (2)	BG (4) NOSE	W687 (2)	A27AR (2)	U27ART (1)		
Thomas and Betts	TOOL	UT-3	UT-5		UT-15		UT-5		UT-15	
	DIE	5/8" (4)	TV (4)		54 H (2)		TV (4)		66 (2)	
KEARNEY	TOOL	O		WH2, WH3, BH4, WH4, PH2, PH13			O		WH2, WH3, BH4, WH4, PH2, PH13	
	DIE	5/8" NOSE (4)	9/16" (3)	9/16" (2)	572 (2)		737 (3)	747 (2)	737 (3)	747 (2)
ACA Conductor Accessories	TOOL	12 A					12 A			
	DIE	B24 EA (2)					B39 EA (2)			
Anderson® Tool		VC-5, VC-6					VC-5, VC-6			
Edison Electric Institute - REFERENCE		8 A					10 A			

() Minimum suggested number of crimps.

OPERATING PROCEDURES

WARNING:

The operator should always use personal protective equipment (insulated gloves, clampstick and eye protection) whenever operating the elbow. The operator should always be in the best possible operating position, providing firm footing and enabling a secure grasp of the clampstick, while maintaining positive control of the elbow before, during and immediately after operation. If there is any question regarding the operator's operating position, de-energize the elbow before operation. The operator should not be looking directly at the connector during the moment of circuit interruption or connection. Failure to comply could result in death or serious injury.

Do not connect two different phases of a multiple-phase system. Before closing a single-phase loop, make certain both ends of the loop are the same phase.

Loadmake Operation

- Area must be clear of obstructions or contaminations that would interfere with the operation of the loadbreak elbow.
- Securely fasten a clampstick to the pulling eye of the elbow.
- Place the loadbreak elbow over the bushing, inserting the white arc follower of the probe into the bushing approximately 2 1/2" until a slight resistance is felt. This will align and stabilize the elbow.
- Turn your back to the bushing and grasp the clampstick securely and obtain good footing. Slam the elbow onto the bushing with one quick and continuous motion.
- Turn around and apply a force to the clampstick to push the elbow onto the bushing. A popping or snapping sound is often heard when this operation is performed.

- To check that the elbow is properly latched apply a gentle pull force to the clampstick. When latched properly the elbow will not slide back off of the bushing.
- As a last operation, push on the clampstick to seat the elbow all the way onto the bushing again. This insures that the elbow is latched and was not dislodged during the latching check in previous step above.

Fault Close

1. It is not recommended that operations be made on known faults.
2. If a fault is experienced, the elbow connector, probe, and the bushing must be replaced.

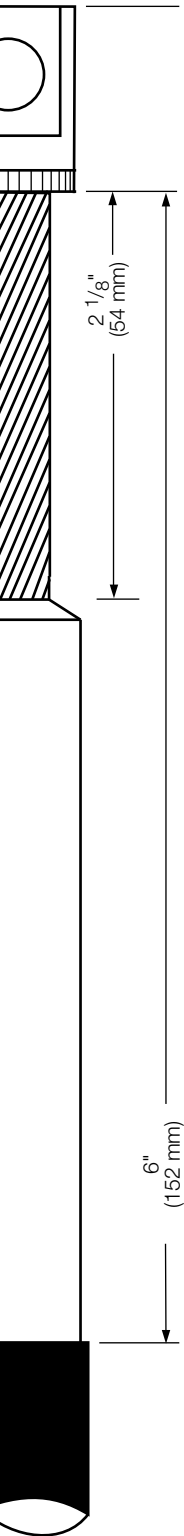
Loadbreak Operation

- Area must be clear of obstructions or contaminants that would interfere with this operation.
- Use clampstick to secure standoff insulator or portable feedthru in bracket. Ground devices to system ground per appropriate Installation Instructions. All associated apparatus must also be grounded.
- Secure elbow eye firmly onto clampstick and lock.
- Twist clampstick clockwise until the elbow rotates slightly on bushing — about 1/4" (7 mm). This action will break any surface friction between outer surface of bushing and inner surface of elbow.
- Withdraw elbow from bushing with a fast, firm, straight motion. Minimum amount of travel of elbow to break load is 9" (229 mm).
- Use clampstick to place elbow on lubricated standoff insulator or portable feedthru. (Follow loadmake instructions.)
- Place an insulated protective cap with ground wire attached to system ground on any exposed energized bushing using clampstick. Follow the same operating procedures as for the elbow as outlined above under Loadmake Operation.

This page intentionally left blank.

This page intentionally left blank.

This page intentionally left blank.



Eaton
1000 Eaton Boulevard
Cleveland, OH 44122
United States
Eaton.com

**Eaton's Cooper Power Systems
Business**
2300 Badger Drive
Waukesha, WI 53188
cooperpower.com

© 2014 Eaton
All Rights Reserved
Printed in USA
Publication No. S500102 Rev 2
Supersedes S500102 Rev 1

Eaton, Cooper Power Systems, and Kearney are valuable trademarks of Eaton, in the U.S. and other countries. You are not permitted to use these trademarks without the prior written consent of Eaton.
Burdny® is a registered trademark of FCI
Thomas and Betts® is a registered trademark of Thomas and Betts.
ACA Conductor Accessories is a division of AFL Telecommunications LLC
Anderson® is a registered trademark of Hubbell Power Systems