

**Dry-type transformers**  
Mini-power centers

# Less is more. . .



**EATON**

*Powering Business Worldwide*

# Exclusive 3-in-1 design

Significant savings in cost and space...  
plus quicker installation. Three individual  
components combined into a single unit.

Contemporary electrical distribution systems are required to do more in less space, while at the same time being cost-effective.

Eaton provides a solution to these requirements with the proven mini-power center. It occupies considerably less space and can save up to 31 percent of the installation costs normally required when individual components are used.

The solution is possible because a mini-power center combines three individual components into one NEMA® enclosure, rated either 3R or 4X for harsh environments (corrosion, dust, hose-directed water): a main breaker, an encapsulated single-phase or three-phase dry-type transformer, and a secondary distribution loadcenter with main breaker. Interconnecting wiring is completed at the factory.

A mini-power center is delivered ready for installation. It's also suitable for use as service entrance equipment.



NEMA enclosure



# Compare the space savings... 30 inches instead of 72 inches! Specify the mini-power center

Compare the installation cost savings—31 percent less

Because we knew that putting three components in one enclosure dramatically cuts installation time, we asked an electrical contractor to estimate the job two ways:

- Using a separate breaker, transformer and loadcenter, including the connecting cable and hardware
- Using a mini-power center

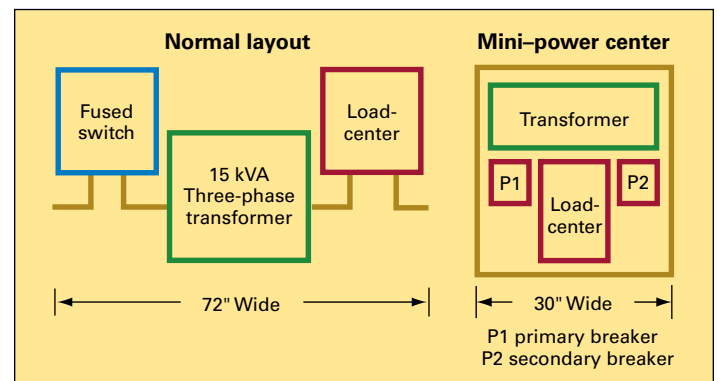
Here are the estimates:

Installation	15 kVA		25 kVA	
	Three-component system	Mini-power center	Three-component system	Mini-power center
Hours <sup>1</sup>				
Switch and fuse layout	4	0	4	0
Switch and fuse mount	1	0	1	0
Transformer layout, remove knockout, etc.	16	16	24	24
Transformer fastened to wall	4	0	4	0
Loadcenter layout, mount and connect source	4	4	6	4
Total hours	29	20	39	28
% time saved with Eaton's mini-power center	31% savings		28% savings	

<sup>1</sup> Time estimates are typical and will vary by geographical area.

Optional primary main circuit breakers for plug-in chassis

Primary main breaker	480 V kAIC	600 V kAIC
EHD/FDB	14/14	—/14
FD	25	18
HFD	65	25
FDC	100	35



Note: Comparison made on a typical 15 kVA three-phase MPC Type 3R.



# Mini-power centers—The big solution to money

## Ratings

- Single-phase: 3, 5, 7.5, 10, 15 and 25 kVA
- Three-phase: 15, 22.5 and 30 kVA

## Easy to install

- A variety of concentric knock-outs on the sides and bottom (for NEMA 3R enclosures only)
- Wiring compartment includes ample space for conduit entry
- Maximum wiring gutter space is provided for ease of wiring in compliance with NEC® requirements
- Simplified design includes two keyholes for easy mounting and leveling

## Mini-power center components

### Circuit breakers

- Primary and secondary main breakers are Eaton's Type EHD or FDB (see catalog number information on pages 6 to 9)
- Aluminum chassis mini-power centers are available with optional primary main circuit breakers having greater AIC ratings
- Feeder circuits can be easily added
- For aluminum chassis loadcenters, Eaton's Type BR plug-in feeder breakers (10 kAIC) are used
- For copper chassis loadcenters, Eaton's Type BAB bolt-on feeder breakers (10 kAIC) are used
- Feeder breakers are not included and are purchased separately

### Loadcenter

- Aluminum chassis standard for plug-in Type BR feeder breakers
- Copper chassis available for bolt-on Type BAB feeder breakers
- Space for up to 26 feeder breakers on aluminum chassis and 30 feeder breakers for copper chassis
- Ground bar provided as standard for grounding of individual secondary circuits
- Neutral bar is grounded to the enclosure
- Tin-plated copper and aluminum chassis
  - Silver-plated copper chassis available on bolt-on three-phase units as an option

### Enclosures

- Standard NEMA 3R indoor/outdoor heavy-gauge steel enclosure with a rugged baked-polymer polyester powder coat
- ANSI 61 gray color
- Optional: 316 Grade stainless steel NEMA 3R and NEMA 4X

### Safety

- All live parts are enclosed for personnel safety and equipment protection
- Padlockable hinged front cover prevents removal of breakers
- Grounding terminal provided on the enclosure
- Provision to add padlock kit #PLK1 to lock primary main breaker ON/OFF

### Transformer

- Electrical grade aluminum windings are standard with plug-in loadcenter chassis
- Electrical grade copper windings are standard with bolt-on loadcenter chassis; plug-in chassis are optional with copper windings
- 180 °C insulation system
- 115 °C winding temperature rise; 80 °C temperature rise available as an option
- Sand and resin encapsulated core-coil assembly
- Cores are grounded with a copper lead

### Standards

- UL® listed and CSA® certified
- UL listed as service entrance equipment
- Meets applicable ANSI, NEMA, IEEE® and UL standards



NEMA 3R enclosure



NEMA 4X enclosure





# , time and space savings

## NEMA Type 4X enclosures

External parts attached to these enclosures, shall be fabricated of American Iron and Steel Institute (AISI) Type 304 stainless steel (or better), and polymers, or materials with equivalent corrosion resistance.

NEMA Standard 250 "Enclosures for Electrical Equipment (1000 Volts Maximum)" defines a NEMA 4X enclosure as enclosures constructed for either indoor or outdoor use to:

- Provide a degree of protection to personnel against access to hazardous parts
- Provide a degree of protection of the equipment inside the enclosure against ingress of solid foreign objects (windblown dust)
- Provide a degree of protection with respect to harmful effects on the equipment due to the ingress of water (rain, sleet, snow, splashing water and hose directed water)
- Provide an additional level of protection against corrosion; protects the enclosure from damage caused by the external formation of ice on the enclosure

## Features and benefits

### Harsh environments

Use Eaton Type 4X enclosures in applications where hose-directed water is used, such as food processing, petrochemical and water treatment facilities. Manufactured using Type 316 stainless steel, Eaton's Type 4X MPCs are capable of withstanding chemical corrosion from substances such as chlorides (salts), making them ideal for use where there may be a heavy concentration of salts in the air or the environment, such as offshore, along ocean coasts, and locations in close proximity to other salts, such as road salt for controlling ice.

### Weather protection

Eaton Type 4X MPCs are designed to provide protection against falling dirt, rain, sleet, snow, windblown dust and splashing water, making them suitable for outdoor applications and cold weather environments where ice may form on enclosures. Type 4X enclosure protection ensures the mini-power center will be undamaged by the external formation of ice on the enclosure.

### Enhanced power system flexibility

MPCs are highly configurable through the Transformer Flex Center and are designed specifically to help customers meet unique general-purpose and distribution transformer needs that cannot be met with standard product offerings.



## A wide variety of proven applications

Mini-power centers are used wherever there is a 480 V or 600 V distribution system and loads requiring 208Y/120 V, three-phase or 120/240 V, single-phase.

Typical installations include:

- Industrial plant assembly lines
- Plant expansions
- Test equipment
- Temporary power at construction sites
- Sewage disposal plants
- Warehouses
- Car washes
- Parking lots
- Commercial buildings
- Irrigation systems

# NEMA 3R plug-in and bolt-on

Mini-power centers and other dry-type transformers are stocked by Eaton distributors. They are supported by regional distribution centers that maintain extensive inventories of virtually every dry-type transformer. For the distributor nearest you, call toll free 1-800-525-2000.



## Plug-in mini-power center (aluminum-wound transformer and loadcenter chassis standard) catalog number information

kVA	Style number	Full capacity taps FCBN	Dimensions in inches (mm) <sup>①</sup>			Weight Lb (kg)	Main circuit breaker <sup>②</sup>			Feeder breakers max. number <sup>④⑤</sup>		
			Height	Width	Depth		Frame	Primary <sup>③</sup>	Secondary	Single-pole	Two-pole	Max. amp
<b>Single-phase</b>												
<b>480 V to 120/240 V</b>												
3	<b>P48G11S0312</b>	2 at -5%	29.50 (749.3)	11.90 (302.3)	8.90 (226.1)	125 (56)	FR284	EHD2015	BR215	12	6	12
5	<b>P48G11S0512</b>	2 at -5%	29.50 (749.3)	11.90 (302.3)	8.90 (226.1)	125 (56)	FR284	EHD2020	BR225	12	6	20
7.5	<b>P48G11S0712</b>	2 at -5%	29.50 (749.3)	11.90 (302.3)	8.90 (226.1)	125 (56)	FR284	EHD2030	BR230	12	6	30
10	<b>P48G11S1020</b>	2 at -5%	37.50 (952.5)	13.10 (332.7)	11.60 (294.6)	212 (96)	FR286	EHD2040	BR250	20	10	40
15	<b>P48G11S1526</b>	2 at -5%	43.40 (1102.4)	15.90 (403.9)	14.50 (368.3)	373 (169)	FR287	EHD2060	BR270	26	13	60
25	<b>P48G11S2526</b>	2 at -5%	43.40 (1102.4)	15.90 (403.9)	14.50 (368.3)	373 (169)	FR287	EHD2100	BR2125	26	13	100
<b>600 V to 120/240 V</b>												
5	<b>P60G11S0512</b>	2 at -5%	29.50 (749.3)	11.90 (302.3)	8.90 (226.1)	125 (56)	FR284	FDB2015	BR225	12	6	20
7.5	<b>P60G11S0712</b>	2 at -5%	29.50 (749.3)	11.90 (302.3)	8.90 (226.1)	125 (56)	FR284	FDB2030	BR230	12	6	30
10	<b>P60G11S1020</b>	2 at -5%	37.50 (952.5)	13.10 (332.7)	11.60 (294.6)	212 (96)	FR286	FDB2040	BR250	20	10	40
15	<b>P60G11S1526</b>	2 at -5%	43.40 (1102.4)	15.90 (403.9)	14.50 (368.3)	373 (169)	FR287	FDB2060	BR270	26	13	60
25	<b>P60G11S2526</b>	2 at -5%	43.40 (1102.4)	15.90 (403.9)	14.50 (368.3)	373 (169)	FR287	FDB2100	BR2125	26	13	100
<b>Three-phase</b>												
<b>480 V to 208Y/120 V</b>												
15	<b>P48G28T1518</b>	2 at -5%	36.10 (916.9)	28.80 (731.5)	9.40 (238.8)	320 (145)	FR289B	EHD3040	EHD3050	18	9	40
22.5	<b>P48G28T2124</b>	2 at -5%	40.01 (1016.3)	32.63 (828.8)	13.62 (345.9)	635 (288)	FR291B	EHD3070	EHD3070	24	12	60
30	<b>P48G28T3024</b>	2 at -5%	40.01 (1016.3)	32.63 (828.8)	13.62 (345.9)	635 (288)	FR291B	EHD3090	EHD3100	24	12	80
<b>600 V to 208Y/120 V</b>												
15	<b>P60G28T1518</b>	2 at -5%	36.10 (916.9)	28.80 (731.5)	9.40 (238.8)	320 (145)	FR289B	FDB3030	EHD3050	18	9	40
22.5	<b>P60G28T2124</b>	2 at -5%	40.01 (1016.3)	32.63 (828.8)	13.62 (345.9)	635 (288)	FR291B	FDB3050	EHD3070	24	12	60
30	<b>P60G28T3024</b>	2 at -5%	40.01 (1016.3)	32.63 (828.8)	13.62 (345.9)	635 (288)	FR291B	FDB3070	EHD3100	24	12	80

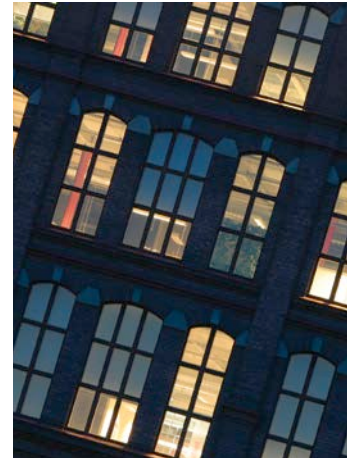
<sup>①</sup> Not for construction purposes.

<sup>②</sup> Secondary main breakers fixed only. No substitutes for ampere rating.

<sup>③</sup> Optional AIC rated main breakers available. See table on page 3.

<sup>④</sup> Combinations can be selected.

<sup>⑤</sup> Feeder breakers not included. Use Eaton's Type BR family.



**Bolt-on mini-power center (copper-wound transformer and loadcenter chassis standard) catalog number information**

kVA	Style number	Full capacity taps FCBN	Dimensions in inches (mm) ①			Weight Lb (kg)	Frame	Main circuit breaker ②		Feeder breakers max. number ④ ⑤			
			Height	Width	Depth			Primary ③	Secondary	Single-pole	Two-pole	Three-pole	Max. amp
<b>Single-phase</b>													
<b>480 V to 120/240 V</b>													
3	<b>P48G11S0318CUB</b>	2 at -5%	36.14 (918.0)	12.56 (319.0)	9.66 (245.4)	110 (50)	FR307	EHD2015	BAB2015	18	9	—	12
5	<b>P48G11S0518CUB</b>	2 at -5%	36.14 (918.0)	12.56 (319.0)	9.66 (245.4)	110 (50)	FR307	EHD2020	BAB2025	18	9	—	20
7.5	<b>P48G11S0718CUB</b>	2 at -5%	36.14 (918.0)	12.56 (319.0)	9.66 (245.4)	110 (50)	FR307	EHD2030	BAB2030	18	9	—	30
10	<b>P48G11S1024CUB</b>	2 at -5%	43.91 (1115.3)	14.97 (380.2)	11.82 (300.2)	215 (98)	FR309	EHD2040	BAB2050	24	12	—	40
15	<b>P48G11S1530CUB</b>	2 at -5%	43.37 (1101.6)	20.41 (518.4)	14.58 (370.3)	385 (175)	FR310	EHD2060	BAB2070	30	15	—	60
25	<b>P48G11S2530CUB</b>	2 at -5%	43.37 (1101.6)	20.41 (518.4)	14.58 (370.3)	385 (175)	FR310	EHD2100	BAB2125	30	15	—	100
<b>600 V to 120/240 V</b>													
3	<b>P60G11S0318CUB</b>	2 at -5%	36.14 (918.0)	12.56 (319.0)	9.66 (245.4)	110 (50)	FR307	FDB2015	BAB2015	18	9	—	12
5	<b>P60G11S0518CUB</b>	2 at -5%	36.14 (918.0)	12.56 (319.0)	9.66 (245.4)	110 (50)	FR307	FDB2020	BAB2025	18	9	—	20
7.5	<b>P60G11S0718CUB</b>	2 at -5%	36.14 (918.0)	12.56 (319.0)	9.66 (245.4)	110 (50)	FR307	FDB2030	BAB2030	18	9	—	30
10	<b>P60G11S1024CUB</b>	2 at -5%	43.91 (1115.3)	14.97 (380.2)	11.82 (300.2)	215 (98)	FR309	FDB2040	BAB2050	24	12	—	40
15	<b>P60G11S1530CUB</b>	2 at -5%	43.37 (1101.6)	20.41 (518.4)	14.58 (370.3)	385 (175)	FR310	FDB2060	BAB2070	30	15	—	60
25	<b>P60G11S2530CUB</b>	2 at -5%	43.37 (1101.6)	20.41 (518.4)	14.58 (370.3)	385 (175)	FR310	FDB2100	BAB2125	30	15	—	100
<b>Three-phase</b>													
<b>480 V to 208Y/120 V</b>													
15	<b>P48G28T1518CUB</b>	2 at -5%	34.27 (870.5)	31.50 (800.1)	9.35 (237.5)	320 (145)	FR289B	EHD3040	BAB3050H	18	9	6	40
22.5	<b>P48G28T2124CUB</b>	2 at -5%	40.01 (1016.3)	32.63 (828.8)	13.62 (345.9)	635 (288)	FR291B	EHD3070	BAB3070H	24	12	6	60
30	<b>P48G28T3024CUB</b>	2 at -5%	40.01 (1016.3)	32.63 (828.8)	13.62 (345.9)	635 (288)	FR291B	EHD3090	BAB3100H	24	12	8	80
<b>600 V to 208Y/120 V</b>													
15	<b>P60G28T1518CUB</b>	2 at -5%	34.27 (870.5)	31.50 (800.1)	9.35 (237.5)	320 (145)	FR289B	FDB3030	BAB3050H	18	9	6	40
22.5	<b>P60G28T2124CUB</b>	2 at -5%	40.01 (1016.3)	32.63 (828.8)	13.62 (345.9)	635 (288)	FR291B	FDB3050	BAB3070H	24	12	6	60
30	<b>P60G28T3024CUB</b>	2 at -5%	40.01 (1016.3)	32.63 (828.8)	13.62 (345.9)	635 (288)	FR291B	FDB3070	BAB3100H	24	12	8	80

- ① Not for construction purposes.
- ② Main breakers fixed only. No substitutes for ampere rating.
- ③ Optional AIC rated main breakers available. See table on page 3.
- ④ Combinations can be selected.
- ⑤ Feeder breakers not included. Use Eaton's Type BAB family.



# NEMA Type 4X plug-in and bolt-on

Combine the convenience of mini-power centers (MPCs) with NEMA Type 4X enclosures for use in harsh industrial and commercial (corrosion, dust, house-directed water, icing) environments.



## Plug-in mini-power center (aluminum-wound transformer and loadcenter chassis standard) catalog number information

kVA	Style number	Full capacity taps FCBN	Dimensions in inches (mm) ①			Weight Lb (kg)	Frame	Main circuit breaker ②		Feeder breakers max. number ④⑤		
			Height	Width	Depth			Primary ③	Secondary	Single-pole	Two-pole	Max. amp
<b>Single-phase</b>												
<b>480 V to 120/240 V</b>												
3	<b>P48G11S0312S64X</b>	2 at -5%	34.25 (870.0)	16.00 (406.4)	11.35 (288.3)	306 (139)	FR2854X	EHD2015	BR215	12	6	12
5	<b>P48G11S0512S64X</b>	2 at -5%	34.25 (870.0)	16.00 (406.4)	11.35 (288.3)	306 (139)	FR2854X	EHD2020	BR225	12	6	20
7.5	<b>P48G11S0712S64X</b>	2 at -5%	34.25 (870.0)	16.00 (406.4)	11.35 (288.3)	306 (139)	FR2854X	EHD2030	BR230	12	6	30
10	<b>P48G11S1020S64X</b>	2 at -5%	39.81 (1011.2)	19.74 (501.4)	15.94 (404.9)	546 (248)	FR2874X	EHD2040	BR250	20	10	40
15	<b>P48G11S1526S64X</b>	2 at -5%	39.81 (1011.2)	19.74 (501.4)	15.94 (404.9)	546 (248)	FR2874X	EHD2060	BR270	26	13	60
25	<b>P48G11S2526S64X</b>	2 at -5%	39.81 (1011.2)	19.74 (501.4)	15.94 (404.9)	546 (248)	FR2874X	EHD2100	BR2125	26	13	100
<b>600 V to 120/240 V</b>												
5	<b>P60G11S0512S64X</b>	2 at -5%	34.25 (870.0)	16.00 (406.4)	11.35 (288.3)	306 (139)	FR2854X	FDB2015	BR225	12	6	20
7.5	<b>P60G11S0712S64X</b>	2 at -5%	34.25 (870.0)	16.00 (406.4)	11.35 (288.3)	306 (139)	FR2854X	FDB2030	BR230	12	6	30
10	<b>P60G11S1020S64X</b>	2 at -5%	39.81 (1011.2)	19.74 (501.4)	15.94 (404.9)	546 (248)	FR2874X	FDB2040	BR250	20	10	40
15	<b>P60G11S1526S64X</b>	2 at -5%	39.81 (1011.2)	19.74 (501.4)	15.94 (404.9)	546 (248)	FR2874X	FDB2060	BR270	26	13	60
25	<b>P60G11S2526S64X</b>	2 at -5%	39.81 (1011.2)	19.74 (501.4)	15.94 (404.9)	546 (248)	FR2874X	FDB2100	BR2125	26	13	100
<b>Three-phase</b>												
<b>480 V to 208Y/120 V</b>												
15	<b>P48G28T1524S64X</b>	2 at -5%	37.63 (955.8)	30.84 (783.3)	14.50 (368.3)	728 (330)	FR2914X	EHD3040	EHD3050	24	12	40
22.5	<b>P48G28T2124S64X</b>	2 at -5%	37.63 (955.8)	30.84 (783.3)	14.50 (368.3)	728 (330)	FR2914X	EHD3070	EHD3070	24	12	60
30	<b>P48G28T3024S64X</b>	2 at -5%	37.63 (955.8)	30.84 (783.3)	14.50 (368.3)	728 (330)	FR2914X	EHD3090	EHD3100	24	12	80
<b>600 V to 208Y/120 V</b>												
15	<b>P60G28T1524S64X</b>	2 at -5%	37.63 (955.8)	30.84 (783.3)	14.50 (368.3)	728 (330)	FR2914X	FDB3030	EHD3050	24	12	40
22.5	<b>P60G28T2124S64X</b>	2 at -5%	37.63 (955.8)	30.84 (783.3)	14.50 (368.3)	728 (330)	FR2914X	FDB3050	EHD3070	24	12	60
30	<b>P60G28T3024S64X</b>	2 at -5%	37.63 (955.8)	30.84 (783.3)	14.50 (368.3)	728 (330)	FR2914X	FDB3070	EHD3100	24	12	80

① Not for construction purposes.

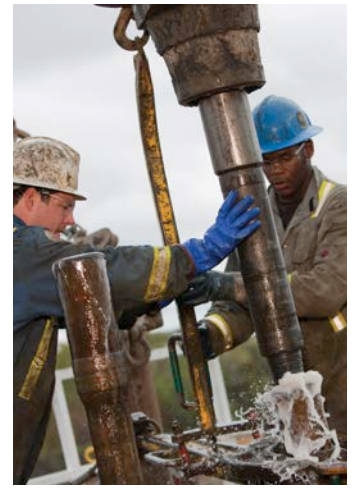
② Secondary main breakers fixed only. No substitutes for ampere rating.

③ Optional AIC rated main breakers available. See table on page 3.

④ Combinations can be selected.

⑤ Feeder breakers not included. Use Eaton's Type BR family.





**Bolt-on mini-power center (copper-wound transformer and loadcenter chassis standard) catalog number information**

kVA	Style number	Full capacity taps FCBN	Dimensions in inches (mm) ①			Weight		Main circuit breaker ②		Feeder breakers max. number ④⑤			
			Height	Width	Depth	Lb (kg)	Frame	Primary ③	Secondary	Single-pole	Two-pole	Three-pole	Max. amp
<b>Single-phase</b>													
<b>480 V to 120/240 V</b>													
3	<b>P48G11S0318CUBS64X</b>	2 at -5%	34.25 (870.0)	16.00 (406.4)	11.35 (288.3)	340 (154)	FR2854X	EHD2015	BAB2015	18	9	—	12
5	<b>P48G11S0518CUBS64X</b>	2 at -5%	34.25 (870.0)	16.00 (406.4)	11.35 (288.3)	340 (154)	FR2874X	EHD2020	BAB2025	18	9	—	20
7.5	<b>P48G11S0718CUBS64X</b>	2 at -5%	34.25 (870.0)	16.00 (406.4)	11.35 (288.3)	340 (154)	FR2874X	EHD2030	BAB2030	18	9	—	30
10	<b>P48G11S1024CUBS64X</b>	2 at -5%	34.25 (870.0)	16.00 (406.4)	11.35 (288.3)	340 (154)	FR2874X	EHD2040	BAB2050	24	12	—	40
15	<b>P48G11S1530CUBS64X</b>	2 at -5%	37.63 (955.8)	30.84 (783.3)	14.50 (368.3)	650 (295)	FR2914X	EHD2060	BAB2070	30	15	—	60
25	<b>P48G11S2530CUBS64X</b>	2 at -5%	37.63 (955.8)	30.84 (783.3)	14.50 (368.3)	650 (295)	FR2914X	EHD2100	BAB2125	30	15	—	100
<b>600 V to 120/240 V</b>													
3	<b>P60G11S0318S6CUB4X</b>	2 at -5%	34.25 (870.0)	16.00 (406.4)	11.35 (288.3)	340 (154)	FR2854X	FDB2015	BAB2015	18	9	—	12
5	<b>P60G11S0518S6CUB4X</b>	2 at -5%	34.25 (870.0)	16.00 (406.4)	11.35 (288.3)	340 (154)	FR2874X	FDB2020	BAB2025	18	9	—	20
7.5	<b>P60G11S0718S6CUB4X</b>	2 at -5%	34.25 (870.0)	16.00 (406.4)	11.35 (288.3)	340 (154)	FR2874X	FDB2030	BAB2030	18	9	—	30
10	<b>P60G11S1024S6CUB4X</b>	2 at -5%	34.25 (870.0)	16.00 (406.4)	11.35 (288.3)	340 (154)	FR2874X	FDB2040	BAB2050	24	12	—	60
15	<b>P60G11S1530S6CUB4X</b>	2 at -5%	37.63 (955.8)	30.84 (783.3)	14.50 (368.3)	650 (295)	FR2914X	FDB2060	BAB2070	30	15	—	60
25	<b>P60G11S2530S6CUB4X</b>	2 at -5%	37.63 (955.8)	30.84 (783.3)	14.50 (368.3)	650 (295)	FR2914X	FDB2100	BAB2125	30	15	—	100
<b>Three-phase</b>													
<b>480 V to 208Y/120 V</b>													
15	<b>P48G28T1524S6CUB4X</b>	2 at -5%	37.63 (955.8)	30.84 (783.3)	14.50 (368.3)	898 (407)	FR2914X	EHD3040	BAB3050H	24	12	8	40
22.5	<b>P48G28T2124S6CUB4X</b>	2 at -5%	37.63 (955.8)	30.84 (783.3)	14.50 (368.3)	898 (407)	FR2914X	EHD3070	BAB3070H	24	12	8	60
30	<b>P48G28T3024S6CUB4X</b>	2 at -5%	37.63 (955.8)	30.84 (783.3)	14.50 (368.3)	898 (407)	FR2914X	EHD3090	BAB3100H	24	12	8	80
<b>600 V to 208Y/120 V</b>													
15	<b>P60G28T1524S6CUB4X</b>	2 at -5%	37.63 (955.8)	30.84 (783.3)	14.50 (368.3)	898 (407)	FR2914X	FDB3030	BAB3050H	24	12	8	40
22.5	<b>P60G28T2124S6CUB4X</b>	2 at -5%	37.63 (955.8)	30.84 (783.3)	14.50 (368.3)	898 (407)	FR2914X	FDB3050	BAB3070H	24	12	8	60
30	<b>P60G28T3024S6CUB4X</b>	2 at -5%	37.63 (955.8)	30.84 (783.3)	14.50 (368.3)	898 (407)	FR2914X	FDB3070	BAB3100H	24	12	8	80

① Not for construction purposes.

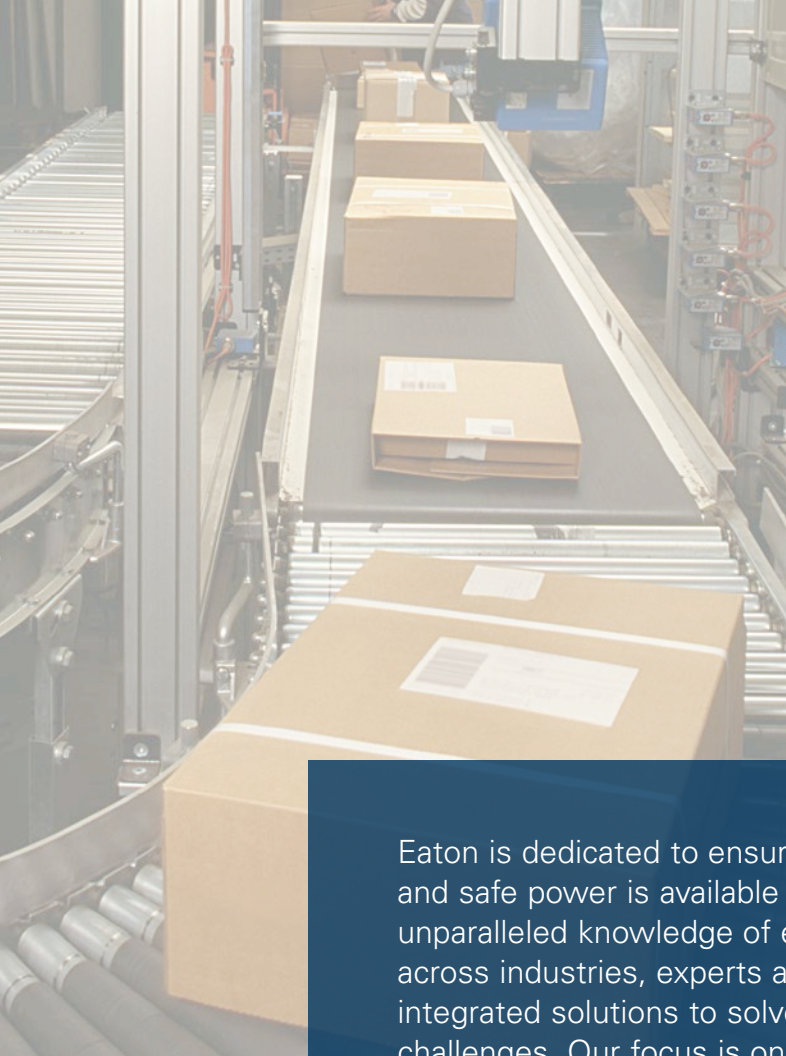
② Main breakers fixed only. No substitutes for ampere rating.

③ Optional AIC rated main breakers available. See table on page 3.

④ Combinations can be selected.

⑤ Feeder breakers not included. Use Eaton's Type BAB family.





Eaton is dedicated to ensuring that reliable, efficient and safe power is available when it's needed most. With unparalleled knowledge of electrical power management across industries, experts at Eaton deliver customized, integrated solutions to solve our customers' most critical challenges. Our focus is on delivering the right solution for the application. But, decision-makers demand more than just innovative products. They turn to Eaton for an unwavering commitment to personal support that makes customer success a top priority. For more information, visit [www.eaton.com/electrical](http://www.eaton.com/electrical).





# When you need more than 'off the shelf'

Eaton's Dry-Type Distribution Transformer Flex Center can help.



## Customer-driven specs

- Custom-painted enclosures
- Special labeling
- Tailor-made dimensions and configurations
- Custom efficiency, sound, altitude, operating ambient, impedance and temperature rise



## Safer designs

- Compliance with industry and regional standards
- Infrared viewing windows to ease diagnostics
- Hinged front cover to simplify maintenance and testing
- Integrated breakers on secondary side to reduce arc-flash hazard



## Harsh environments

- NEMA® 4X, 304 or 316 stainless steel enclosures
- NEMA 12 totally enclosed, non-ventilated
- Hazardous location ratings with Class I, Division 2 encapsulated transformers



## Packaged solutions

- Configurations with quick connectors (military grade)
- Pre-terminated cable for ease of installation
- Primary or secondary breakers and ventilated transformer in a single component

What are your unique needs?



Providing transformers to meet unique customer requirements for more than 25 years—custom solutions are our specialty.

## Transformer Flex Center solutions

The Transformer Flex Center is designed specifically to help customers meet unique general purpose and distribution transformer needs that cannot be met with standard offerings.

With the ability to engineer or modify transformers to meet nearly any application requirement, our expert team is a valuable resource for solving your most critical application challenges.



Transformer Flex Center



Switching Devices Flex Center

To learn more, email us at [TransFlexSupp@Eaton.com](mailto:TransFlexSupp@Eaton.com) or call 915-401-8316



# We make what matters work.\*

\* At Eaton, we believe that power is a fundamental part of just about everything people do. Technology, transportation, energy and infrastructure—these are things the world relies on every day. That's why Eaton is dedicated to helping our customers find new ways to manage electrical, hydraulic and mechanical power more efficiently, safely and sustainably. To improve people's lives, the communities where we live and work, and the planet our future generations depend upon. Because that's what really matters. And we're here to make sure it works.

See more at [Eaton.com/whatmatters](https://www.eaton.com/whatmatters)

**Eaton**  
1000 Eaton Boulevard  
Cleveland, OH 44122  
United States  
[Eaton.com](https://www.eaton.com)

© 2018 Eaton  
All Rights Reserved  
Printed in USA  
Publication No. BR00904003E / Z20979  
May 2018

Eaton is a registered trademark.

All other trademarks are property of their respective owners.

Follow us on social media to get the latest product and support information.

