

Low Voltage Front Accessible Switchgear with Series NRX Breakers

When it comes to maximizing utilization of capital by reducing equipment footprint, no one does it better than Eaton.

Eaton's Low Voltage Front Accessible Switchgear allows switchgear to be placed against a wall. Eaton then raised the bar by introducing the high density Series NRX Breaker in its Low Voltage Switchgear, which allowed up to eight 800A breakers in a single 24" wide structure.

Now, Eaton has merged both product offerings to create the next evolution of high density switchgear.

Figure 1 – Front Elevation



Features:

- Standard 40.2" front accessible switchgear depth
- Up to 4-high twin-mounted breaker arrangement in a single 24" wide breaker compartment (See Figure 1)
- Cable compartments are 24," 30" or 44" wide
- Voltage rating up to 600 VAC nominal
- Horizontal main bus continuous current rating of up to 6000A
- Vertical riser bus continuous current rating of up to 5000A
- Breaker short circuit ratings of up to 65 kAIC (42 kAIC short time where applicable)

Benefits:

- Over 60% reduction in floorspace based on certain configurations
- Able to be placed against a wall with no rear access needed
- Breaker sections can house both Series NRX and Magnum DS feeders (see Layout Configurations)
- Staggered load cable connections allow for easier cable installation (see Figure 2)
- C-Clamp load-side bus bracing allows for better short circuit strength (see Figure 3)
- Cable compartment can be widened to accommodate higher volume of cables per section
- Line-of-sight between breaker section and cable section provides increased worker safety



Powering Business Worldwide

Figure 2 – Staggered Load Cable Connections

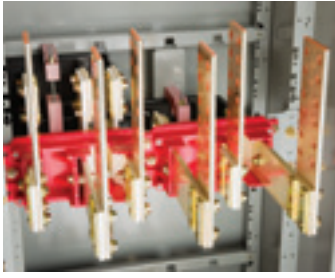
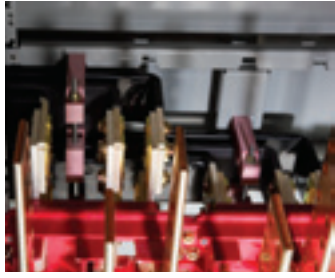


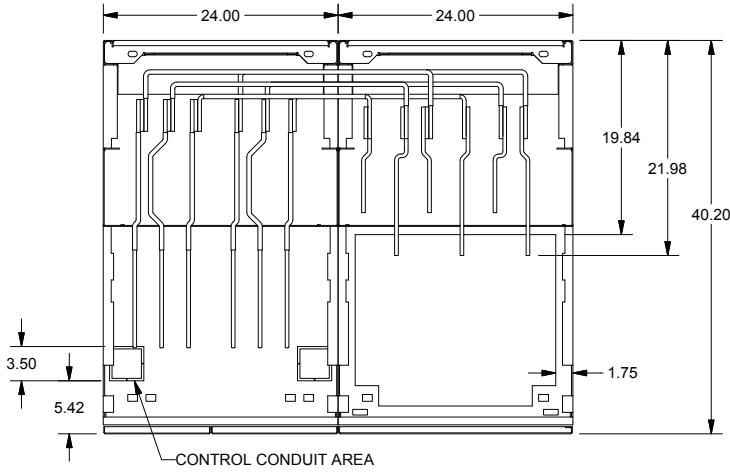
Figure 3 – C-Clamp Bracing



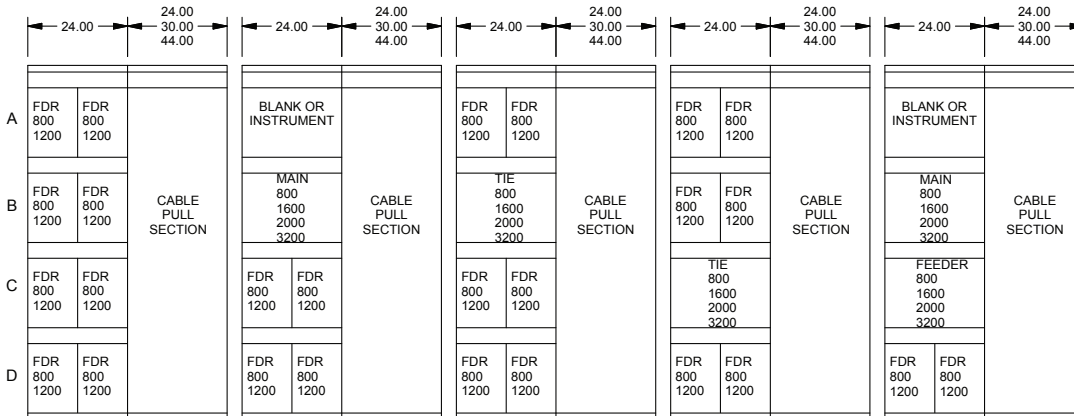
Standards:

- ANSI C37.20.1
- ANSI C37.51
- UL 1558
- UL 891
- CSA C22.2, No. 31-M89
- Seismically qualified to IBC 2009 & CBC 2010
- American Bureau of Shipping (ABS)
- Built in an ISO certified facility

Plan View w/ Conduit Area



Layout Configurations



Eaton Corporation
 Electrical Sector
 1111 Superior Ave.
 Cleveland, OH 44114
 United States
 877-ETN-CARE (877-386-2273)
 Eaton.com