

Compact, flexible and convenient



Solar CMP switchboard

Typical solar power installations require a disconnect switch after the AC conversion, a metering panel and a second disconnect switch to the grid. Together, these three panels take up plenty of space in small electrical rooms and are costly to install.

Eaton offers the CMP switchboard, one of the most space-efficient, cost-effective and flexible products available today. The CMP switchboard combines three panels into one floor-mounted, wall-supported assembly.

Introducing CMP switchboard to the solar utility market

The Eaton CMP switchboard is the first design in the renewable energy market to offer a single cell assembly that includes a main breaker, a utility metering section and a load breaker.

The CMP switchboard uses Eaton's Series C® bolt-on breakers up to 800A and 1200A. The breakers have a CSA® approved visible window, VISA window, that provides the user with the ability to view the ON and OFF status of the circuit breaker. The breakers are also padlockable to ensure maximum security. The entire assembly is approved to CSA C22.2 No. 29 and No. 31.

Market and segment applications

- Renewable energy installations
- Utility solar farms
- Institutions
- Service entrance applications

CMP switchboard features

- Tin-plated aluminum and silver-plated copper bus
- Enclosure ratings of CSA Type 1, sprinkler-proof and CSA NEMA® 3R
- Top and bottom entry
- Sealing screws, knurled thumb screws and padlock hasp
- Utility ground stud
- Convenient space for utility CTs and PTs
- Wireways and hydro stubs are available
- Accommodates a variety of customer metering needs

Benefits

- Meets the provincial and municipal metering requirements
- Has visible window on the breakers and is padlockable
- Accommodates a variety of CTs and PTs
- Compact and space-efficient
- Cost-efficient to install
- Flexible and versatile

Utility features

- The bus allows for external clamp-on CTs to verify the meter
- Window type and bar type CTs
- Utility section allows for up to four PTs
- Available neutral stud

Breaker options

- Padlock hasp
- Visible windows
- Electronic trip units
- Remote shunt trip solenoid
- Auxiliary contacts
- Bell alarm

Available ratings

The CMP switchboard is CSA approved through 1200A at 600 Vac. The short-circuit rating of the switchboard is determined by the short-circuit rating of the lowest rated overcurrent device in the switchboard. The 400A CMP would be suitable for solar applications with an inverter size of 250 kW, and the 1200A CMP would be suitable for solar applications with an inverter size of 500 kW.



Powering Business Worldwide

Specifications

Description	CMP A1	CMP A2
Current rating	800A maximum	1200A maximum
Voltage rating	600 Vac	600 Vac
Enclosure size (W x H x D)	30 x 90 x 12 inches	44 x 90 x 12 inches
3R enclosure size (W x H x D)	50 x 95 x 18 inches	64 x 95 x 24 inches



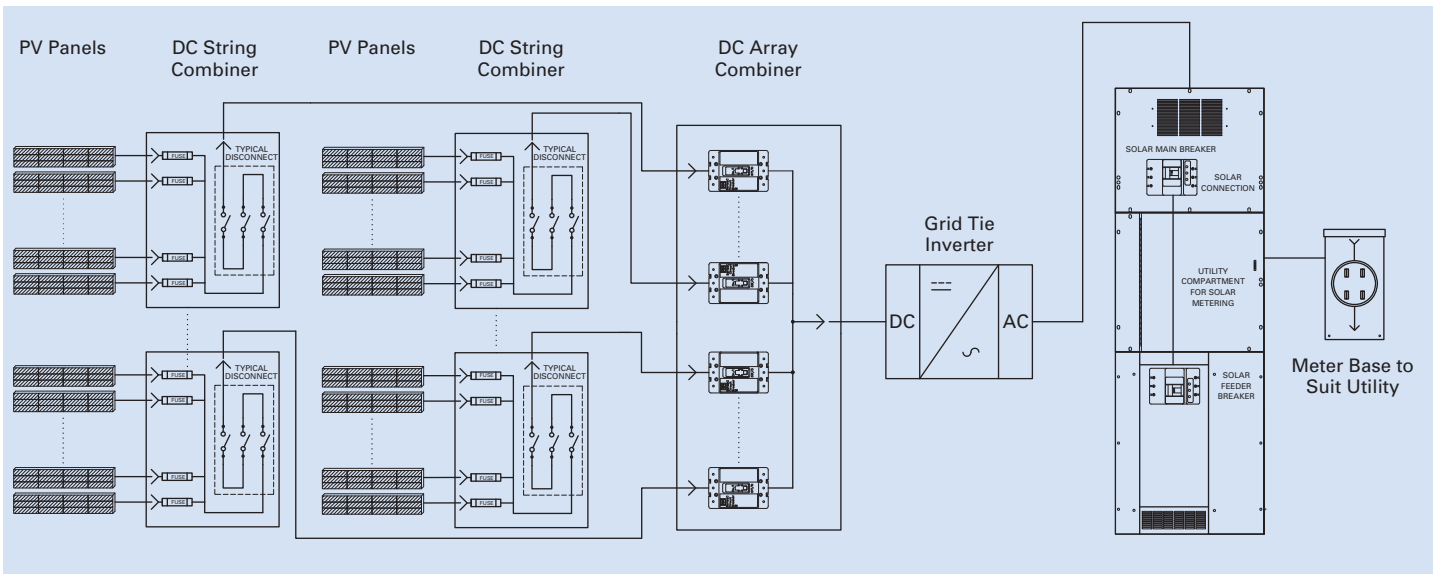
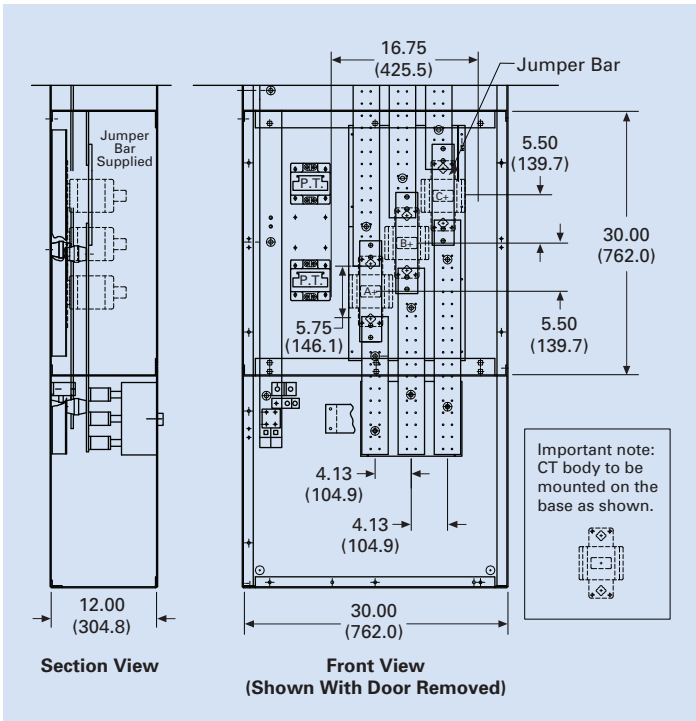
Utility compartment including three-phase bus, neutral bus, ground connection, and the locations of CTs and PTs.



Breaker in OFF position with visual indicators through the VISA window.



Breaker in ON position.



Eaton's solar CMP solution reduces the number of panel installations on the AC section of any solar system.

Eaton Corporation
 Electrical Sector
 1111 Superior Avenue
 Cleveland, OH 44114 USA
 Eaton.com

Electrical Sector
 Canadian Operations
 5050 Mainway
 Burlington, ON L7L 5Z1 Canada
 EatonCanada.ca

© 2012 Eaton Corporation
 All Rights Reserved
 Printed in Canada
 Publication No. SA.39S.01.S.K / Z12839
 October 2012

Eaton is a registered trademark of Eaton Corporation.

All other trademarks are property of their respective owners.



Proud Sponsor of

