

# Pow-R-Line CS

## Switchboards



Introducing Eaton's Pow-R-Line CS switchboard, the most compact expandable service entrance and distribution solution in Canada. This versatile design allows for top or bottom service entrance cables and customized cell addition to the main structure to suit any design requirement. Eaton's Pow-R-Line CS switchboard provides a space-saving design advantage with a smaller footprint than any comparable switchboard in the market.

### Features and Benefits

- Expanded offering** • Pow-R-Line CS is the most comprehensive 12" deep switchboard in Canada; a freestanding design is available for 18" deep enclosures
  - Expanded offering: metered fusible switches (FSMC), sub-main, breaker utility compartment, door-over-distribution, 90°C wireway, 1200A 100% rated main breaker
- Compact footprint** • Smaller foot print than any other comparable switchboards in the market
- Versatile configuration** • Barriers provide individual compartments for the main disconnect, utility compartment and distribution
  - Top/bottom entry of service entrance cables
- Quick ship** • Shipped exclusively from the regional Satellites to ensure competitive lead times



*Powering Business Worldwide*

# Pow-R-Line CS product offerings



## 800A Main/PUC/21X distribution cell

### 21X Distribution section:

- Configurable for circuit breakers
- Ability to add user metering

### Main circuit breaker:

- 400, 600 or 800A

- 800A, 100% rated main available
- Service entrance rated main compartment

### PUC Utility compartment

- Meets local utility requirements across Canada



## 1200A Main/PUC/21X distribution cell

### 21X Distribution section:

- Configurable for metered fusible switches (FSMC), non-metered fusible switches (FDPW) or circuit breakers (not mixed)

### Main circuit breaker:

- 400, 600, 800 or 1200A

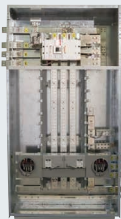
- 1200A, 100% rated main available
- Service entrance rated main compartment

### Cable entry:

- Top or bottom, left or right

### PUC Utility compartment

- Meets local utility requirements across Canada



## 800A, 1200A Main/40X distribution cell

### 40X Distribution section:

- Configurable for metered fusible switches (FSMC), non-metered fusible switches (FDPW) or circuit breakers (not mixed)
  - FSMC, and FDPW addition requires a 48 inch wide cell
- Ability to add surge protection and user metering

### Main circuit breaker:

- 400, 600, 800A, or 1200A
- 800A, 1200A 100% rated main available
- Service entrance rated main compartment

### Cable entry:

- Top or bottom, left or right



## Distribution cell

- 50X distribution section configurable for metered fusible switches (FSMC), non-metered fusible switches (FDPW) or circuit breakers (not mixed)
- Pow-R-Line 1a / 2a sub-chassis
- Ability to add surge protection and user metering



## Sub-main cell

- Up to 600A, 80% rated sub-main disconnect
- Reverse fed breaker, utility metering compartment and outgoing lugs
- Field wiring connection compartment
- A transition cell precedes the sub-main with distribution cell when required in a lineup



## Wireway

- Optional fire pump breaker
- Direct cable connection or wireway
- 75° C rated (standard) or 90° C rated (optional)
- Factory bussing to disconnect / circuit breaker in main assembly

- 30" D X 30" W design available for specific utility requirements
- A wireway is required when a 1200A 100% rated breaker is selected in any main/distribution or main/PUC/distribution cell

## Pow-R-Line CS options

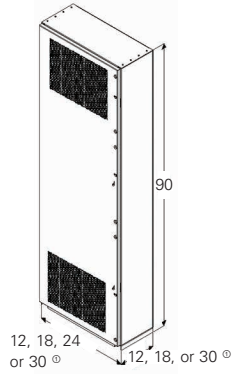
- Metering
  - Range of Eaton IQ and PXM meters (main and branch)
  - Canada revenue approved main metering available
- Surge Protection Devices
- Cross bus for future expansion
- Door-Over-Distribution
- Optional 1.50 inch base channel available; it is mandatory when FSMC is added to enclosures
- Depth: 12" or 18" (freestanding)
- Custom Colours
- Nema 3R Enclosure
  - Available only for single cell or incoming through wireway

## Standards and certifications

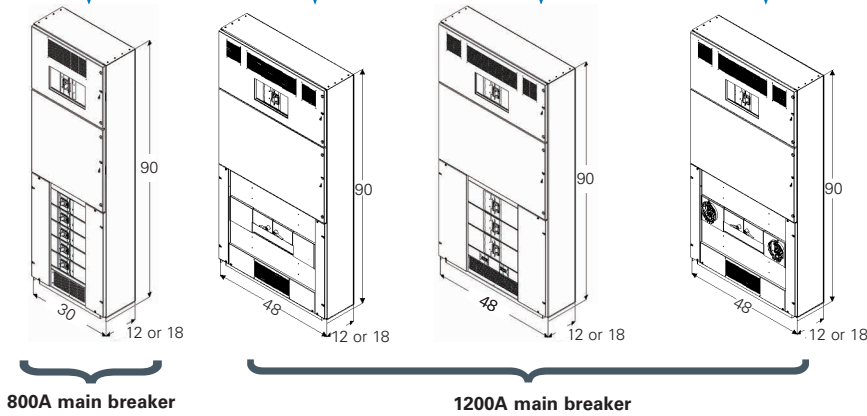
- CSA C22.2 No. 31
- CSA C22.2 No. 244
- CSA C22.2 No. 229 (FSMC)

# Pow-R-Line CS build tree

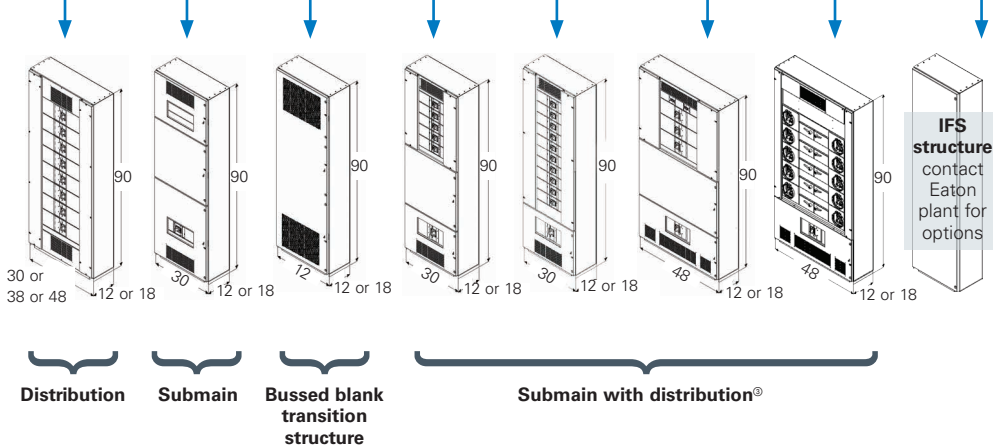
## Step 1: Select wireway (optional)



## Step 2: Select main structure<sup>②</sup>



## Step 3: Select additional cells



**Notes:** Dimension in Inches

- ① 30" depth wireway only available for 30" wide cell.
- ② PUC compartment can be removed to increase distribution size from 21X to 40X.
- ③ Structure must be placed at the end of the assembly to be compatible with the design. Bussed blank transition structure is required when enclosure is used in the lineup.

## Distribution devices

- 1 Pow-R-Line 1a/2a sub-chassis
- 2 10-225A MCCB (F-frame)
- 3 70-400A MCCB (K-frame)
- 4 125-600A MCCB (L-frame)
- 5 300-800A MCCB (M-frame)
- 6 400-1200A MCCB (N-frame)
- 7 30-1200A FDPW
- 8 30-200A FSMC
- 9 Metering
- 10 Surge protection

## Options



Door over distribution



Fire pump breaker in wireway



Please visit your local satellite facility for more information.

#### 1. Delta, BC

1693 Cliveden Ave.  
Delta, BC V3M 6V5  
Phone (604) 519-1250  
Fax (604) 519-1260

#### 2. Calgary, AB

133 - 2611 Hopewell Pl. NE  
Calgary, AB T1Y 7J7  
Phone (403) 252-3324  
Fax (403) 255-3475

#### 3. Winnipeg, MB

13-1650 Notre Dame Ave.  
Winnipeg, MB R3H 1H6  
Phone (204) 694-0569  
Fax (204) 633-2450

#### 4. Mississauga, ON

6175 Kenway Drive  
Mississauga, ON L5T 2L3  
Phone (905) 542-2323  
Fax (905) 542-2321

#### 5. Lachine, PQ

1410, 55e Ave.  
Lachine, PQ H8T 3J8  
Phone (514) 633-9316  
Fax (514) 633-9319

#### 6. Dartmouth, NS

100-32 Troop Avenue  
Dartmouth, NS B3B 1Z1  
Phone (902) 481-3400  
Fax (902) 481-3411

[eatoncanada.ca/switchboards](http://eatoncanada.ca/switchboards)

**Eaton**  
5050 Mainway  
Burlington, ON  
Canada  
[eatoncanada.com](http://eatoncanada.com)

© 2019 Eaton  
All Rights Reserved  
Printed in Canada  
Publication No. PA015005EN  
August 2019

Eaton is a registered trademark.  
All other trademarks are property  
of their respective owners.

Follow us on social media to get the  
latest product and support information.

