

Fusible Switches



Powering Business Worldwide

Fusible Switches

- 1.0 Introduction**
 - Product Selection 1-2
- 2.0 Non-Metered Fusible Switches**
 - Product Description 2-2
 - Non-Metered Fusible Switch Selection Guide 2-3
 - Layouts and Dimensions. 2-7
- 3.0 Metered Fusible Switches**
 - Product Description 3-23
 - Non-Metered Fusible Switch Selection Guide 3-24
 - Layouts and Dimensions. 3-25
- 4.0 Fusible Switch Connector Kit Replacement**
 - Product Description 4-27
 - Fusible Switch Connector Kit Selection 4-28

1

2

3

4

Fusible Switches

1

Metered and Non-Metered Fusible Switches



Contents

<i>Description</i>	<i>Page</i>
Product Selection Guide	1-1

Product Selection Guide

Product Types



Non-Metered Switch Type

Up to 1200A
 Maximum interrupting capacity of 200kA at 600Vac
 Twin or single mounted
 R,J,T,L fuse type

Metered Switch Type

Up to 1200A
 Maximum interrupting capacity of 200kA at 600Vac
 Twin or single mounted
 Utility Metering Socket
 J fuse type

Non-Metered Fusible Switches



Contents

<i>Description</i>	<i>Page</i>
Product Description	2-2
Non-Metered Fusible Switch Selection Guide	2-3
Layouts and Dimensions	2-7

Non-Metered Fusible Switch

Product Description

Maximum 1200A up to 600Vac
or 600A up to 250Vdc

Maximum interrupting capacity
of 200kA at 600Vac

Quick-make, quick-break
switches

Maximum allowable horsepower
rating through 600A

Interlocking mechanism prevents
opening of switch cover in "ON"
position

Pad-lockable

Single or twin mount

Application Description

For commercial, industrial
and service entrance
applications to protect and
switch feeder and branch circuits

Standards and Certification

CSA C22.2 No. 229



Fusible Switches

Non-Metered Fusible Switches

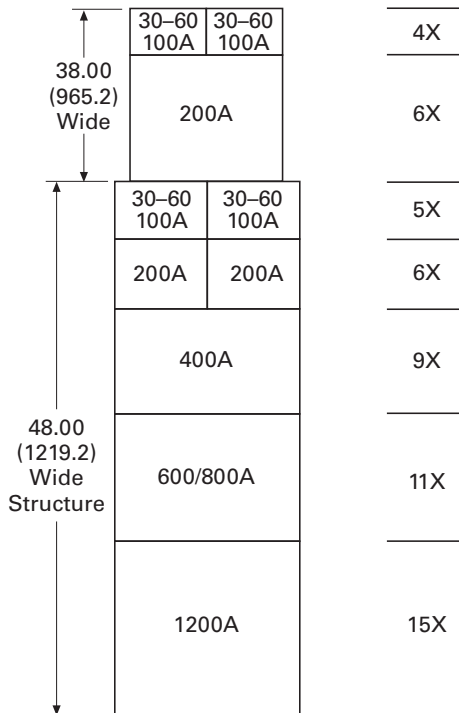
Non-Metered Fusible Switch Selection

2

Table 2.1 Fusible Switch Ratings

Rating (Amperes/Voltage)	Fuse Type	Unit Size ①	Horizontally Mounted
30	250 AC or DC	R	Twin
	600 AC	R, J	Twin
60	250 AC or DC	R	Twin
	600 AC	R, J	Twin
100	250 AC or DC	R	Twin
	600 AC	R, J	Twin
200	250 AC or DC	R, T	Single or twin
	600 AC	R, J, T	Single or twin
400	250 AC or DC	R, T	Single
	600 AC	R, J, T	Single
600	250 AC	R, T	Single
	600 AC	R, J, T	Single
800	250 AC	T	Single
	600 AC	L, T	Single
1200	250 AC	T	Single
	600 AC	L	Single

Horizontally Mounted Fusible Switches—X Spacing ① ②



Note:

① 1X = 1-3/8 inch.

② 200A, 600V with Class R fuses available as a single unit only.

Non-Metered Fusible Switch Selection Cont'd

Table 2.2 FDPW Switch Ratings

Ampere Rating	Voltage	Short-Circuit Rating kAIC	Horsepower Rating		Fuse Type	Size and Type of Cu/Al Conductor per Phase
			Standard	Maximum		
30A switch	240 Vac	200	3	7.5	R	#14 to 1/0
	480 Vac	200	5	15	R, J	#14 to 1/0
	600 Vac	200	7.5	20	R, J	#14 to 1/0
	250 Vdc	10	5	5	Ⓢ	#14 to 1/0
60A switch	240 Vac	200	7.5	15	R	#14 to 1/0
	480 Vac	200	15	30	R, J	#14 to 1/0
	600 Vac	200	15	50	R, J	#14 to 1/0
	250 Vdc	10	10	10	Ⓢ	#14 to 1/0
100A switch	240 Vac	200	15	30	R	#14 to 1/0
	480 Vac	200	25	60	R, J	#14 to 1/0
	600 Vac	200	30	75	R, J	#14 to 1/0
	250 Vdc	10	20	20	Ⓢ	#14 to 1/0
200A switch ②	240 Vac	200	25	60	R, T	#4 to 300 kcmil
	480 Vac	200	50	125	R, J, T	#4 to 300 kcmil
	600 Vac	200	60	150	R, J, T	#4 to 300 kcmil
	250 Vdc	10	40	40	Ⓢ	#4 to 300 kcmil
400A switch	240 Vac	200	50	125	R, T	250 to 750 kcmil or (2) 3/0 to 250 kcmil
	480 Vac	200	100	250	R, J, T	250 to 750 kcmil or (2) 3/0 to 250 kcmil
	600 Vac	200	125	350	R, J, T	250 to 750 kcmil or (2) 3/0 to 250 kcmil
	250 Vdc	10	50	50	Ⓢ	250 to 750 kcmil or (2) 3/0 to 250 kcmil
600A switch	240 Vac	200	75	200	R, T	(2) #4 to 600 kcmil or (4) 3/0 to 250 kcmil
	480 Vac	200	150	400	R, J, T	(2) #4 to 600 kcmil or (4) 3/0 to 250 kcmil
	600 Vac	200	200	500	R, J, T	(2) #4 to 600 kcmil or (4) 3/0 to 250 kcmil
800A switch	240 Vac	200	N/A	N/A	T	(3) 250 to 750 kcmil or (6) 3/0 to 250 kcmil
	480 Vac	200	N/A	N/A	L, T	(3) 250 to 750 kcmil or (6) 3/0 to 250 kcmil
	600 Vac	200	N/A	N/A	L, T	(3) 250 to 750 kcmil or (6) 3/0 to 250 kcmil
1200A switch	240 Vac	200	N/A	N/A	T	(4) 250 to 750 kcmil or (8) 3/0 to 250 kcmil
	480 Vac	200	N/A	N/A	L	(4) 250 to 750 kcmil or (8) 3/0 to 250 kcmil
	600 Vac	200	N/A	N/A	L	(4) 250 to 750 kcmil or (8) 3/0 to 250 kcmil

Notes:

Ⓢ Contact fuse manufacturer for CSA listed DC fuses.

② Switch type FDPB (breaker based).

N/A = Not Applicable

Fusible Switches

Non-Metered Fusible Switches

Non-Metered Fusible Switch Selection Cont'd

2

Table 2.3 Fusible Switch Selection Guide

Dimensions in Inches (mm)

30/60/100A

18.00 (457.2) Wide, 4X High, Twin Fusible Switch

Ampere Rating		Fuse Type	Catalogue Number
Unit 1	Unit 2		
240 Vac or 250 Vdc			
30	30	R	FDPWT3211R
30	60	R	FDPWT3212R
30	100	R	FDPWT3213R
60	60	R	FDPWT3222R
60	100	R	FDPWT3223R
100	100	R	FDPWT3233R
600 Vac			
30	30	R	FDPWT3611R
30	30	J	FDPWT3611J
30	60	R	FDPWT3612R
30	60	J	FDPWT3612J
60	60	R	FDPWT3622R
60	60	J	FDPWT3622J

22.00 (558.8) Wide, 5X High, Twin Fusible Switch

Ampere Rating		Fuse Type	Catalogue Number
Unit 1	Unit 2		
600 Vac			
30	100	R	FDPWT3613R
60	100	R	FDPWT3623R
100	100	R	FDPWT3633R

200A

22.00 (558.8) Wide, 6X High, Twin Fusible Switch

Ampere Rating		Fuse Type	Catalogue Number
Unit 1	Unit 2		
240 Vac or 250 Vdc			
200	200	R	FDPBT3244R
200	200	R	FDPBT3244RDS
600 Vac			
200	200	J	FDPBT3644J
200	200	J	FDPBT3644JDS

18.00 (457.2) Wide, 6X High, Single Fusible Switch

Ampere Rating	Fuse Type	Catalogue Number
240 Vac or 250 Vac		
200	T	FDPBS324F
200	R	FDPBS324R
600 Vac		
200	R	FDPBS364R
200	J	FDPBS364J
200	T	FDPBS364F

400A

22.00 (558.8) Wide, 9X High, Single Fusible Switch ①

Ampere Rating	Fuse Type	Catalogue Number
240 Vac or 250 Vac		
400	R	FDPW325R
400 (Main)	R	FDPW325MR
600 Vac		
400	R	FDPW365R
400 (Main)	R	FDPW365MR
400	J	FDPW365J
400 (Main)	J	FDPW365MJ

18.00 (457.2) Wide, 16X High—Top Feed Main ①

Ampere Rating	Fuse Type	Catalogue Number
240 Vac or 250 Vac		
400	R	FDPW325TR
600 Vac		
400	R	FDPW365TR
400	J	FDPW365TJ

18.00 (457.2) Wide, 16X High—Bottom Feed Main ①

Ampere Rating	Fuse Type	Catalogue Number
240 Vac or 250 Vac		
400	R	FDPW325BR
600 Vac		
400	R	FDPW365BR
400	J	FDPW365BJ

Note:

① For cable-in/cable-out application of a branch switch, additional terminals are required. Order the terminal kit TA750FDPW. The kit contains three terminals and hardware.

Non-Metered Fusible Switch Selection Cont'd

Table 2.3 Fusible Switch Selection Guide

Dimensions in Inches (mm)

600A

22.00 (558.8) Wide, 11X High, Single Fusible Switch ①

Ampere Rating	Fuse Type	Catalogue Number
240 Vac or 250 Vac		
600	R	FDPW326R
600 (Main)	R	FDPW326MR
600 Vac		
600	R	FDPW366R
600 (Main)	R	FDPW366MR
600	J	FDPW366J
600 (Main)	J	FDPW366MJ

18.00 (457.2) Wide, 16X High—Top Feed Main ①

Ampere Rating	Fuse Type	Catalogue Number
240 Vac or 250 Vac		
600	R	FDPW326TR
600 Vac		
600	R	FDPW366TR
600	J	FDPW366TJ

18.00 (457.2) Wide, 16X High—Bottom Feed Main ①

Ampere Rating	Fuse Type	Catalogue Number
240 Vac or 250 Vac		
600	R	FDPW326BR
600 Vac		
600	R	FDPW366BR
600	J	FDPW366BJ

800A

22.00 (558.8) Wide, 11X High, Single Fusible Switch ②

Ampere Rating	Fuse Type	Catalogue Number
240 Vac		
800	T	FDPW327F
800 (Main)	T	FDPW327MF
600 Vac		
800	L	FDPW367
800 (Main)	L	FDPW367M

18.00 (457.2) Wide, 16X High—Top Feed Main ②

Ampere Rating	Fuse Type	Catalogue Number
240 Vac		
800	T	FDPW327TF
600 Vac		
800	L	FDPW367T

18.00 (457.2) Wide, 16X High—Bottom Feed Main ②

Ampere Rating	Fuse Type	Catalogue Number
240 Vac		
800	T	FDPW327BF
600 Vac		
800	L	FDPW367B

1200A

22.00 (558.8) Wide, 15X High, Single Fusible Switch ③

Ampere Rating	Fuse Type	Catalogue Number
240 Vac		
1200	T	FDPW328F
1200 (Main)	T	FDPW328MF
600 Vac		
1200	L	FDPW368
1200 (Main)	L	FDPW368M

22.00 (558.8) Wide, 16X High—Top Feed Main ③

Ampere Rating	Fuse Type	Catalogue Number
240 Vac		
1200	T	FDPW328TF
600 Vac		
1200	L	FDPW368T

22.00 (558.8) Wide, 16X High—Bottom Feed Main ③

Ampere Rating	Fuse Type	Catalogue Number
240 Vac		
1200	T	FDPW328BF
600 Vac		
1200	L	FDPW368B

Notes:

- ① For cable-in/cable-out application of a branch switch, additional terminals are required. Order two of the terminal kit TA750FDPW. Each kit contains three terminals and hardware.
- ② For cable-in/cable-out application of a branch switch, additional terminals are required. Order three of the terminal kit TA750FDPW. Each kit contains three terminals and hardware.
- ③ For cable-in/cable-out application of a branch switch, additional terminals are required. Order four of the terminal kit TA750FDPW. Each kit contains three terminals and hardware.

Fusible Switches

Non-Metered Fusible Switches

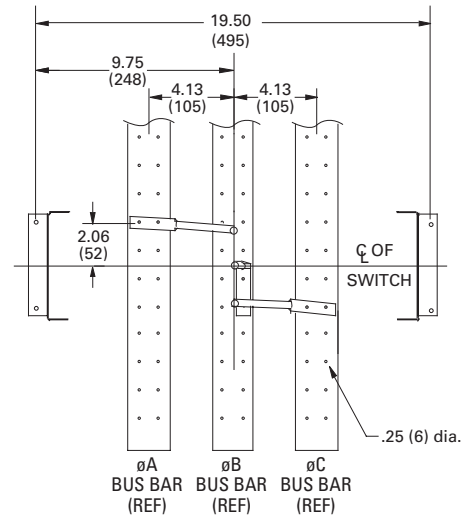
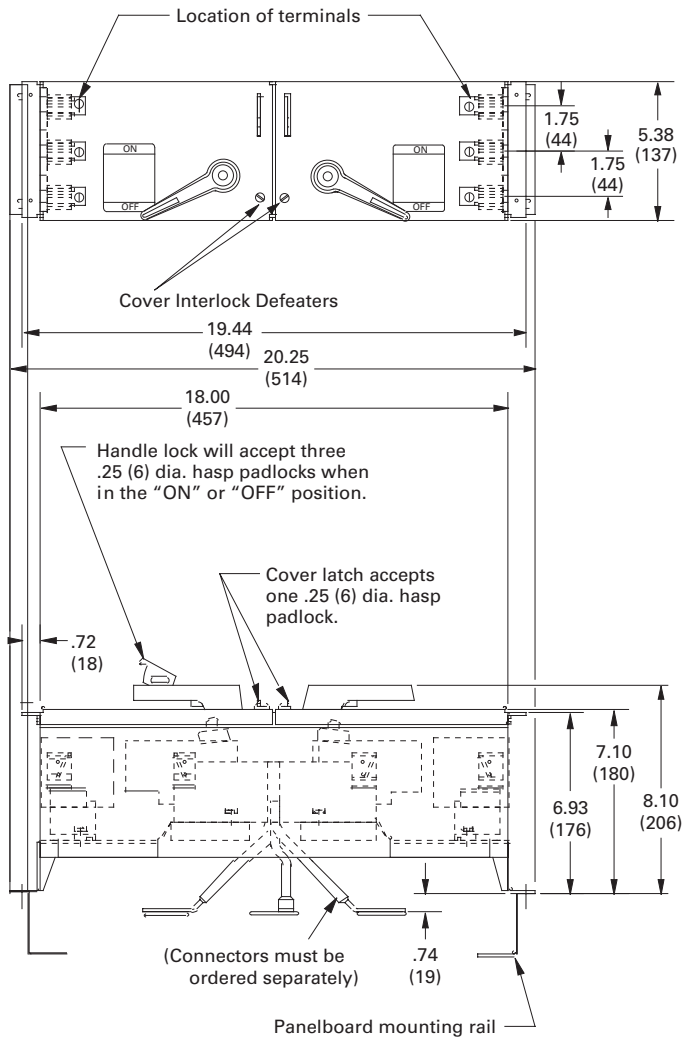
Non-Metered Fusible Switch Layouts

2

30/60/100A Switch Layouts

Dimensions in Inches (mm)

4X High, Horizontal Fusible Switch



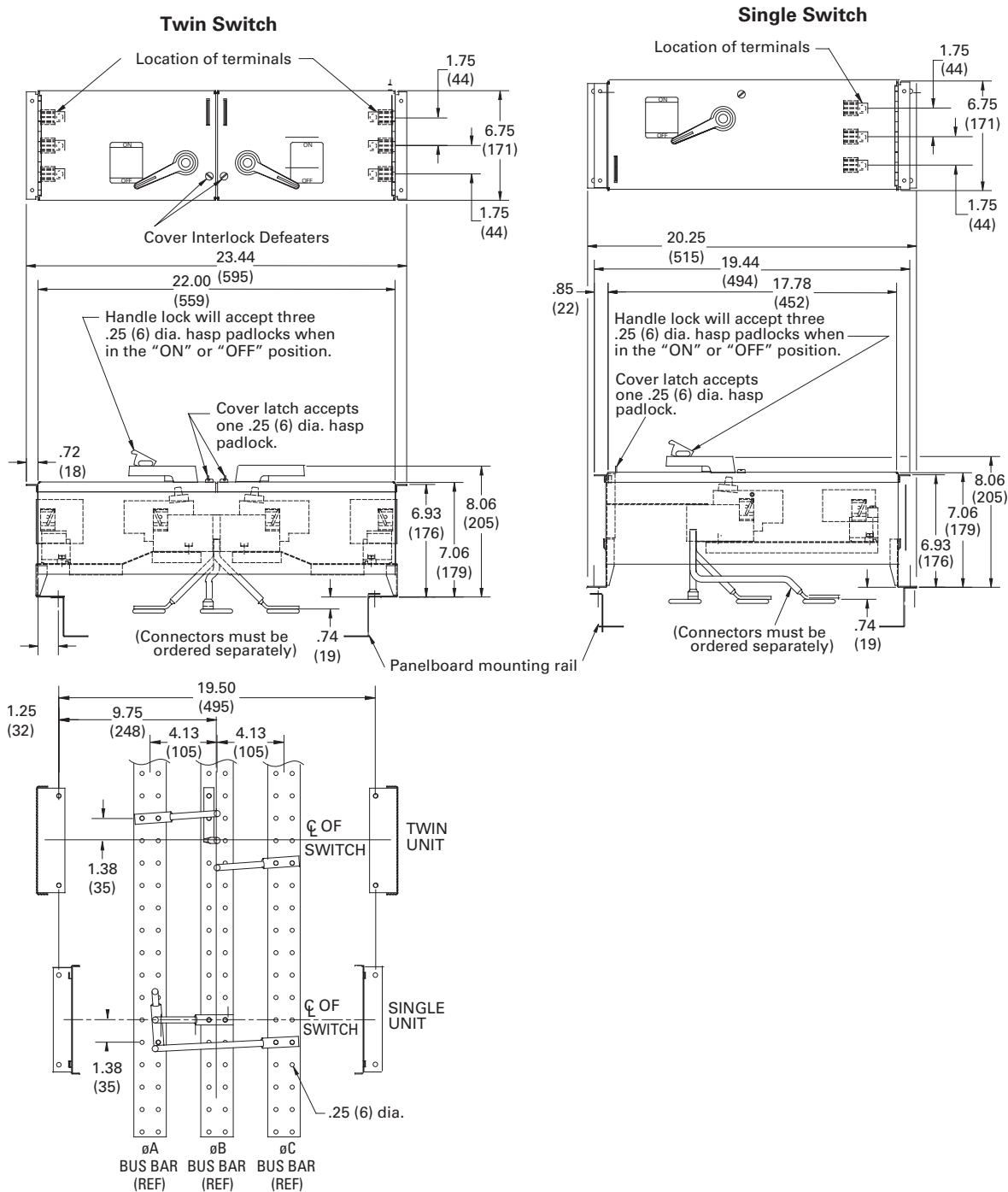
Branch Switch Connector Arrangement

Non-Metered Fusible Switch Layouts Cont'd

30/60/100A Switch Layouts

Dimensions in Inches (mm)

5X High, Horizontal Fusible Switch



Fusible Switches

Non-Metered Fusible Switches

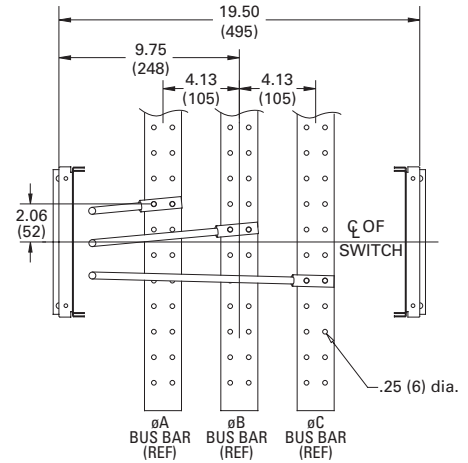
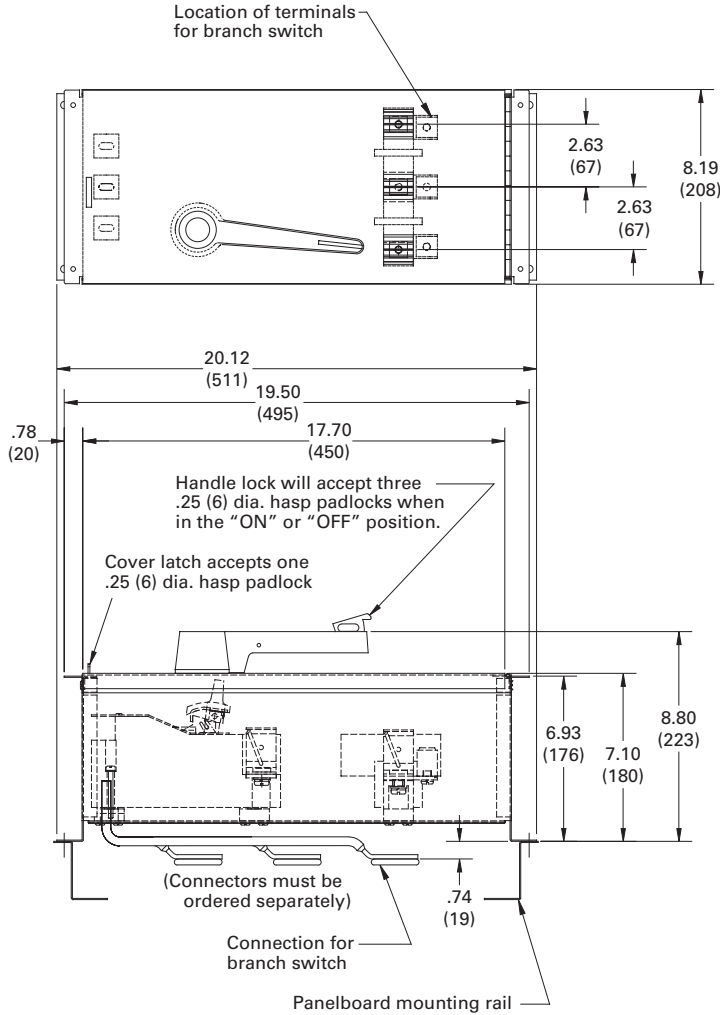
Non-Metered Fusible Switch Layouts Cont'd

2

200A Switch Layouts

Dimensions in Inches (mm)

6X High, Single Horizontal Fusible Switch



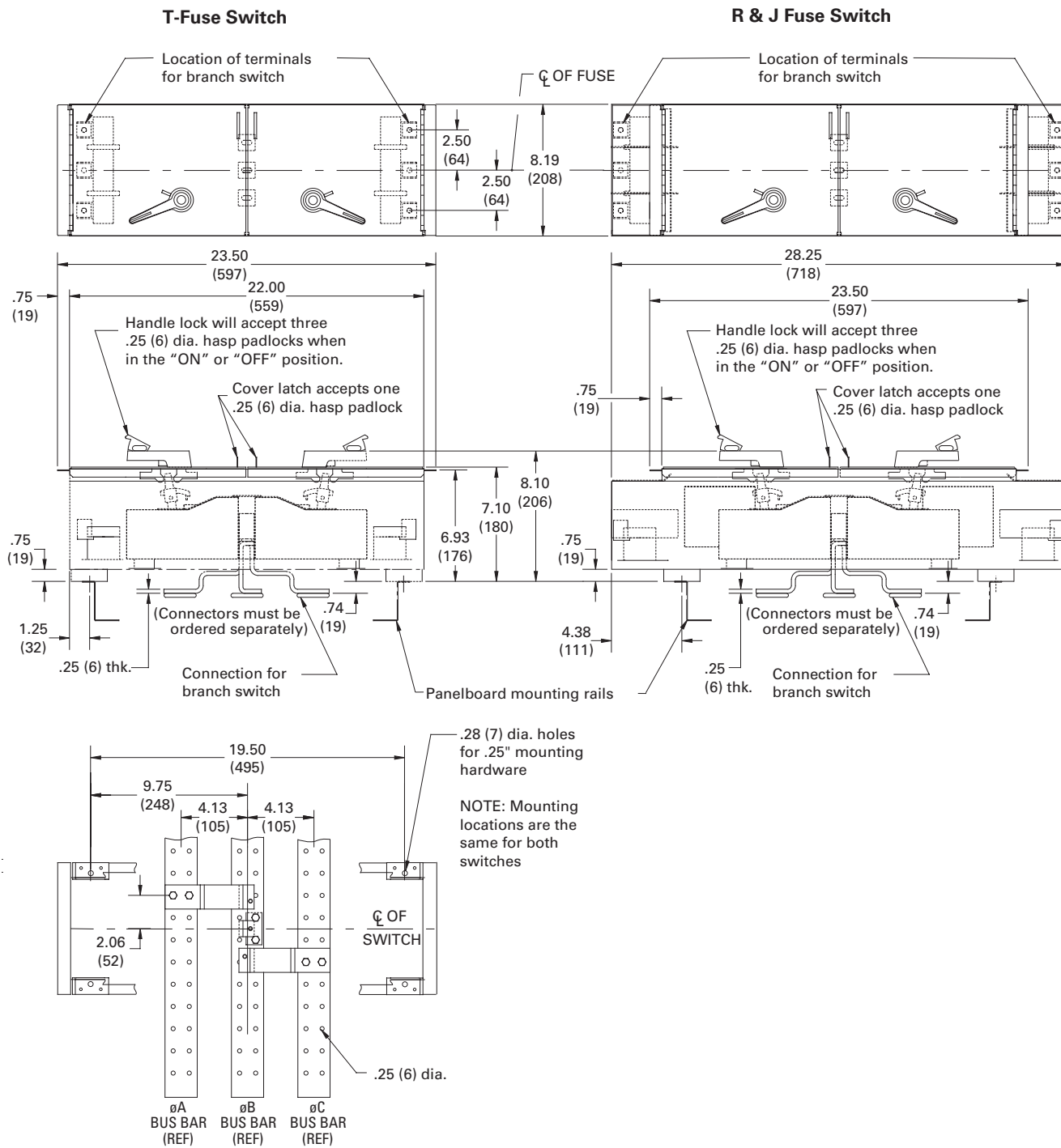
Branch Switch Connector Arrangement

Non-Metered Fusible Switch Layouts Cont'd

200A Switch Layouts

Dimensions in Inches (mm)

6X High, Twin Horizontal Fusible Switch



Branch Switch Connector Arrangement

Fusible Switches

Non-Metered Fusible Switches

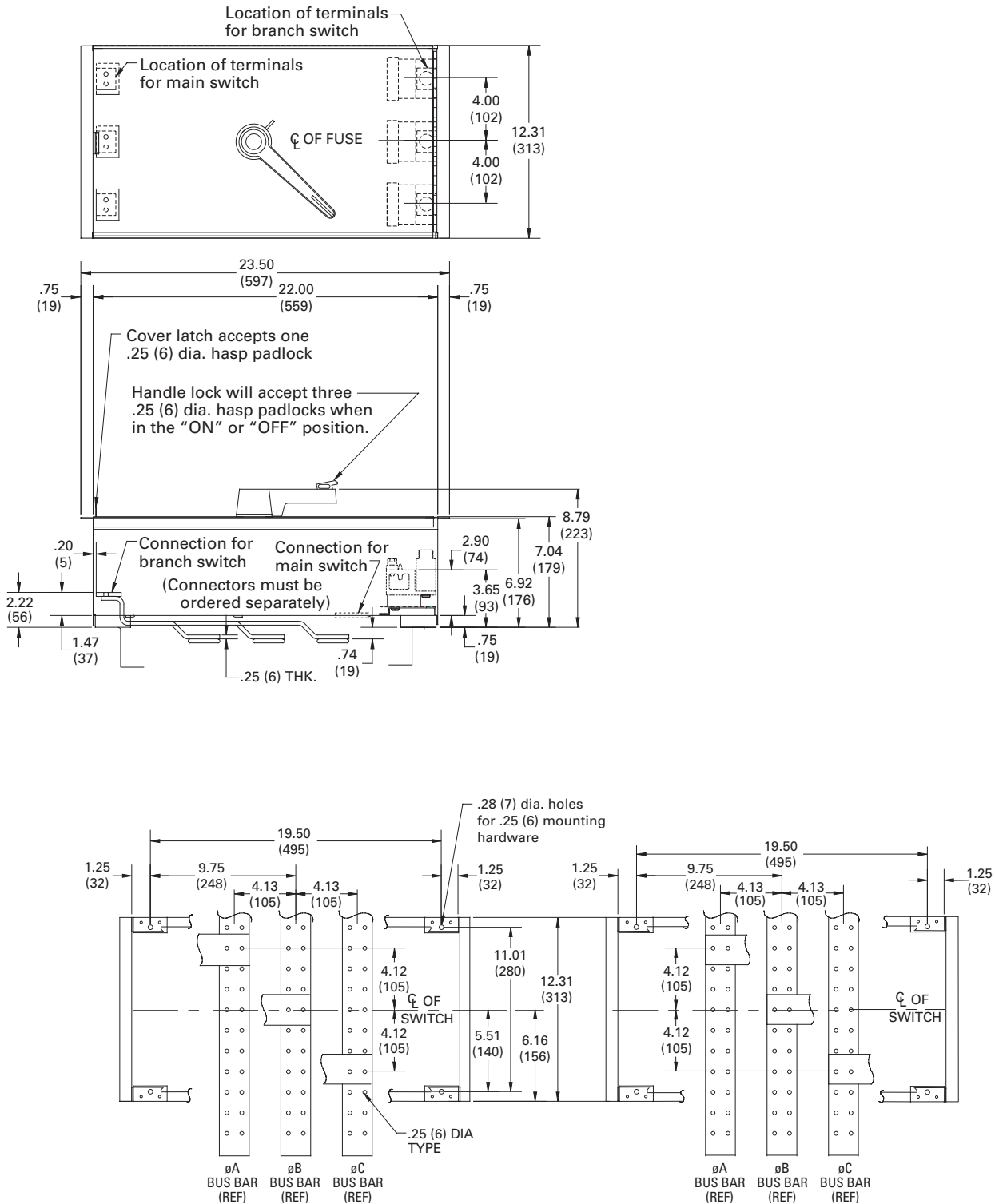
Non-Metered Fusible Switch Layouts Cont'd

2

400A Switch Layouts

Dimensions in Inches (mm)

9X High, Single Horizontal Fusible Switch



Branch Switch Connector Arrangement

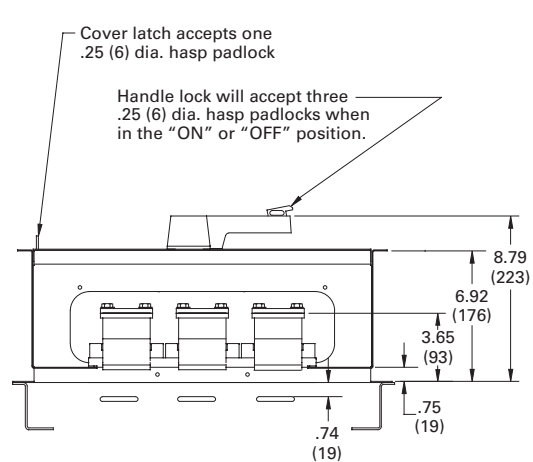
Main Switch Connector Arrangement

Non-Metered Fusible Switch Layouts Cont'd

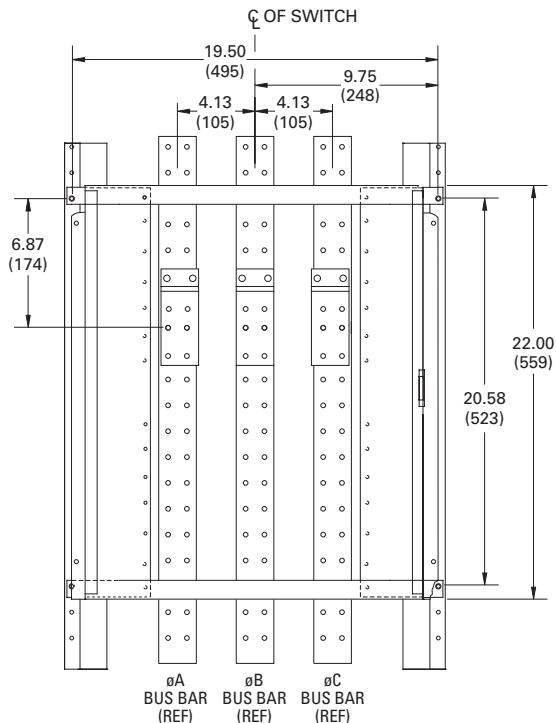
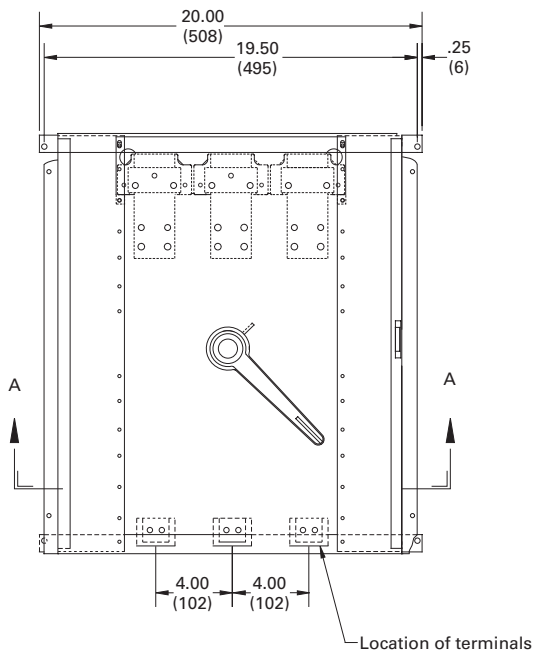
400A Switch Layouts

Dimensions in Inches (mm)

16X High, Vertical Fusible Switch - Bottom Feed Main



Section A-A



Main Switch Connector Arrangement

Fusible Switches

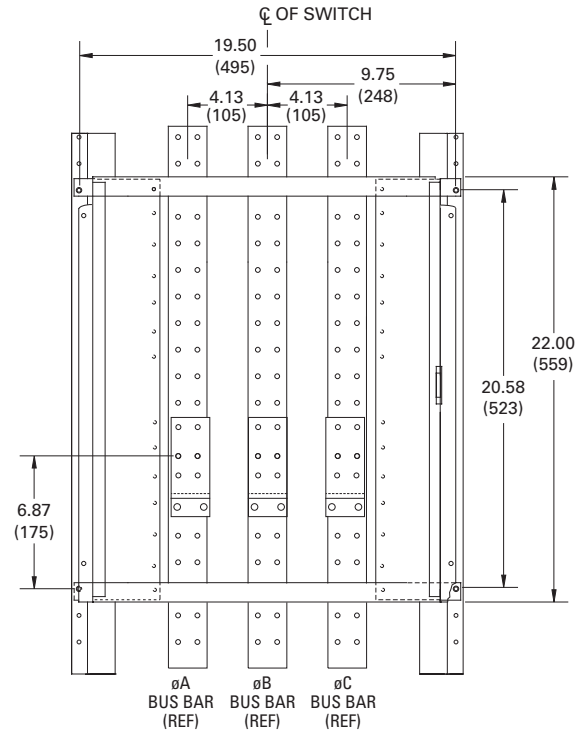
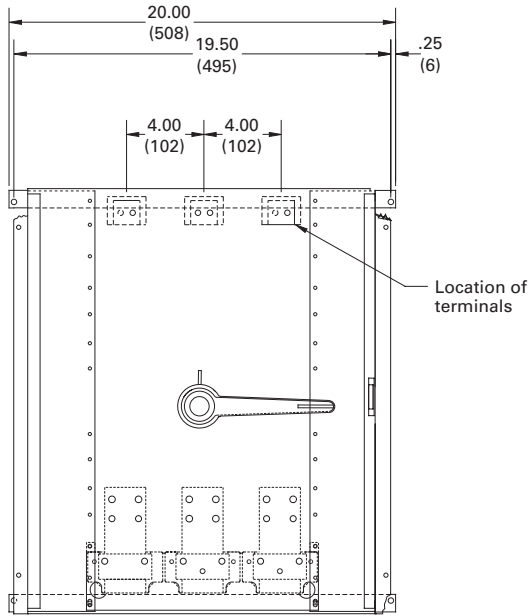
Non-Metered Fusible Switches

Non-Metered Fusible Switch Layouts Cont'd

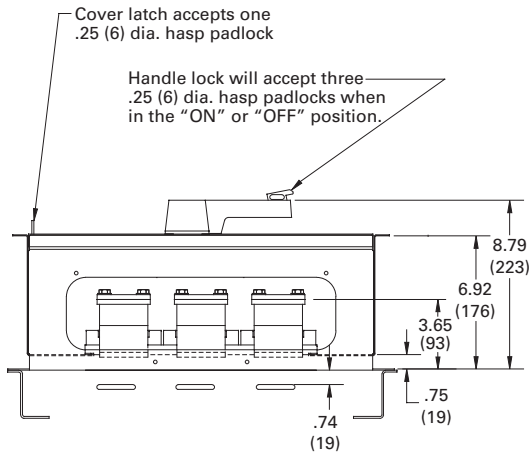
2 400A Switch Layouts

Dimensions in Inches (mm)

16X High, Vertical Fusible Switch - Top Feed Main



Main Switch Connector Arrangement

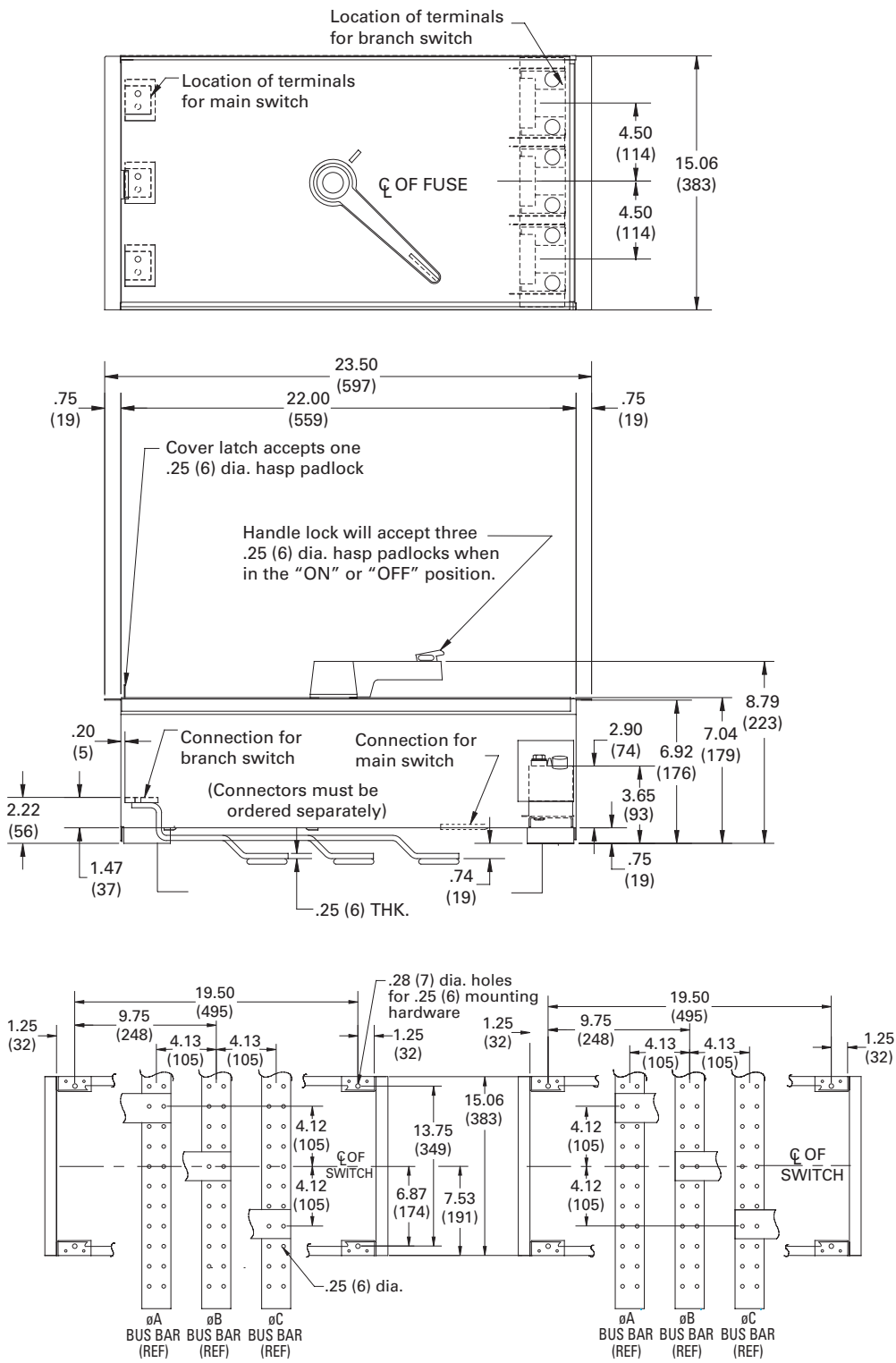


Non-Metered Fusible Switch Layouts Cont'd

600A Switch Layouts

Dimensions in Inches (mm)

11X High, Single Horizontal Fusible Switch



Branch Switch Connector Arrangement

Main Switch Connector Arrangement

Fusible Switches

Non-Metered Fusible Switches

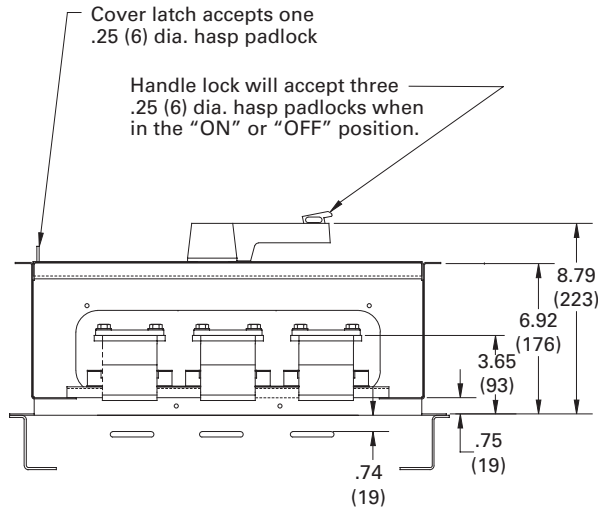
Non-Metered Fusible Switch Layouts Cont'd

2

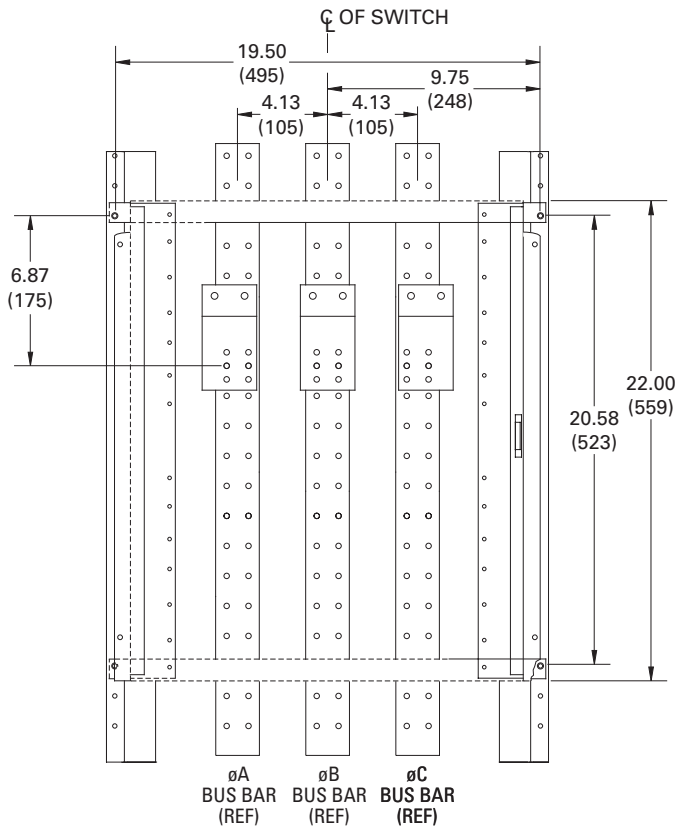
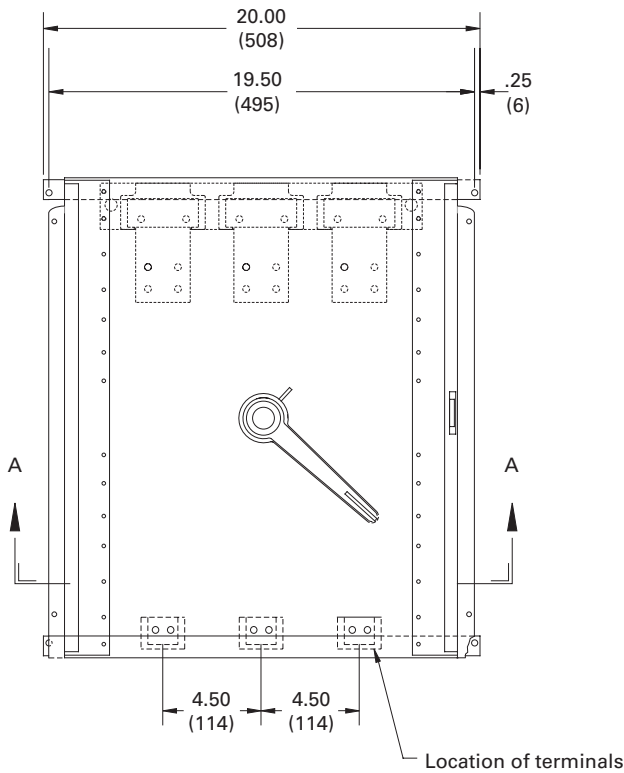
600A Switch Layouts

Dimensions in Inches (mm)

16X High, Vertical Fusible Switch - Bottom Feed Main



Section A-A



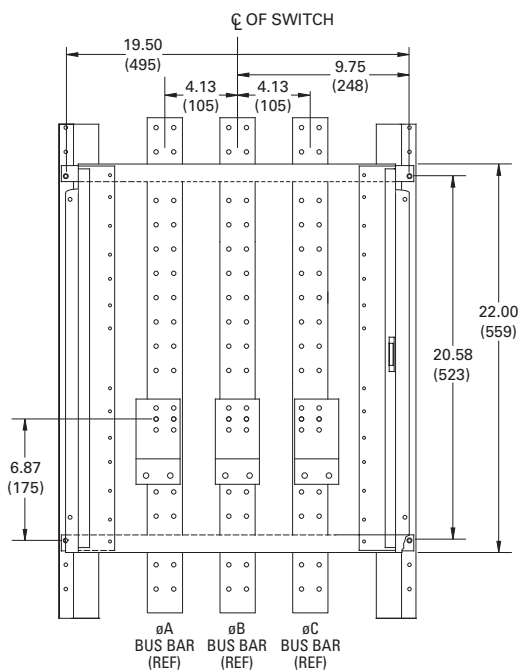
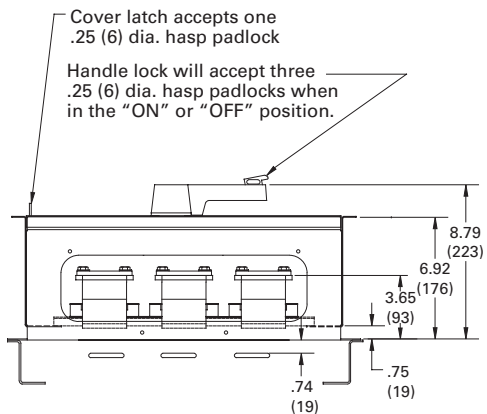
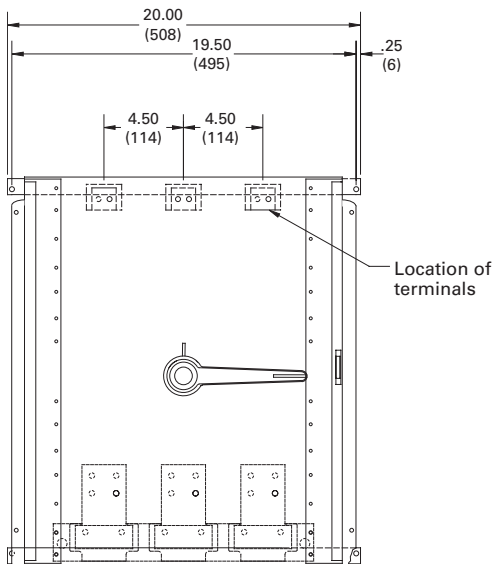
Main Switch Connector Arrangement

Non-Metered Fusible Switch Layouts Cont'd

600A Switch Layouts

Dimensions in Inches (mm)

16X High, Vertical Fusible Switch - Top Feed Main



Main Switch Connector Arrangement

Fusible Switches

Non-Metered Fusible Switches

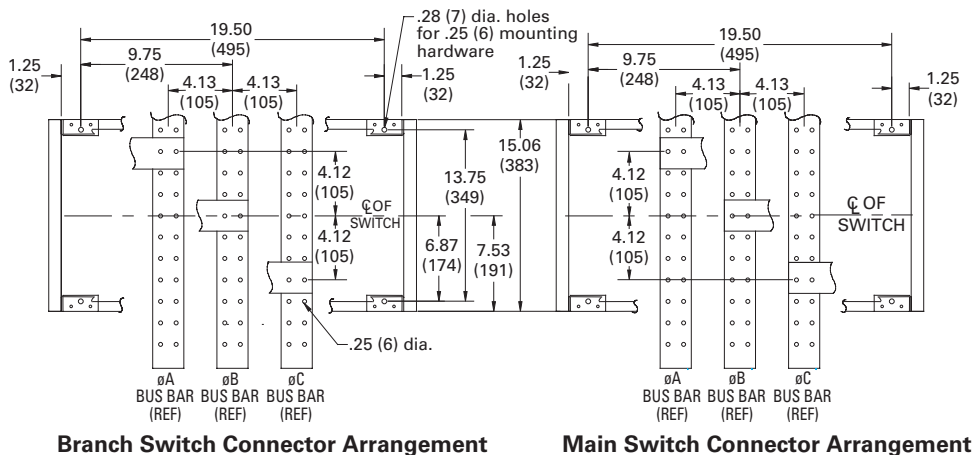
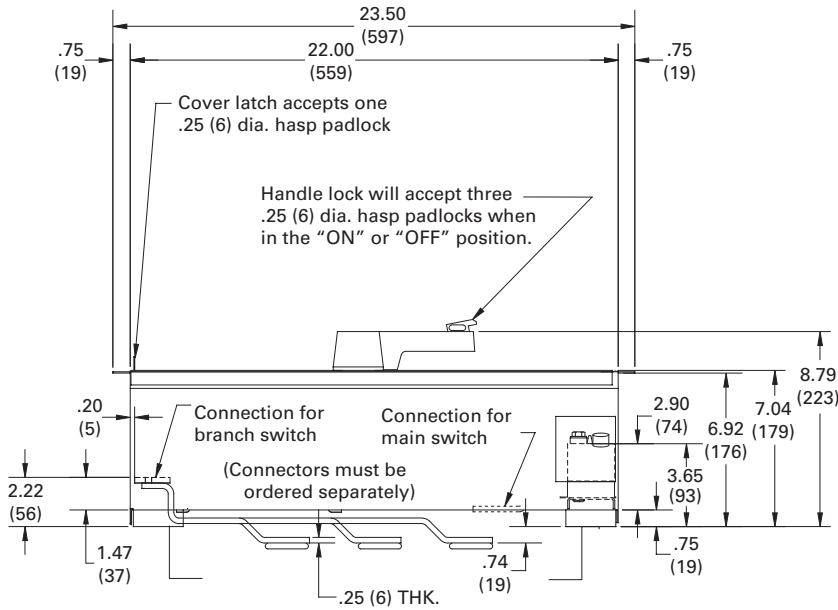
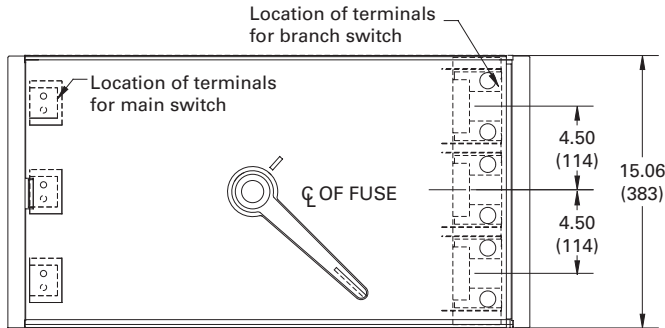
Non-Metered Fusible Switch Layouts Cont'd

2

800A Switch Layouts

Dimensions in Inches (mm)

11X High, Single Horizontal Fusible Switch

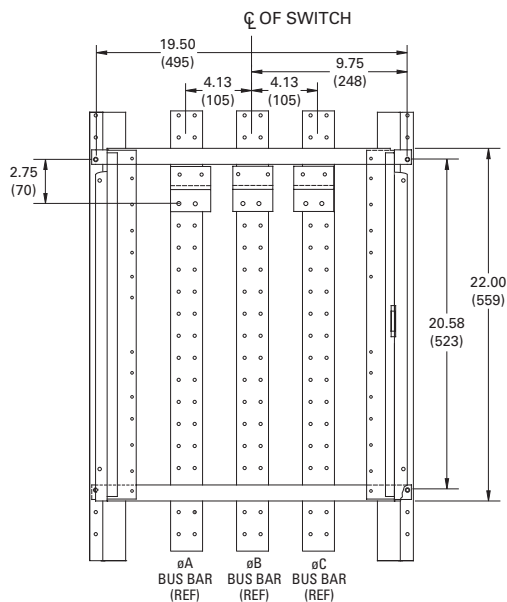
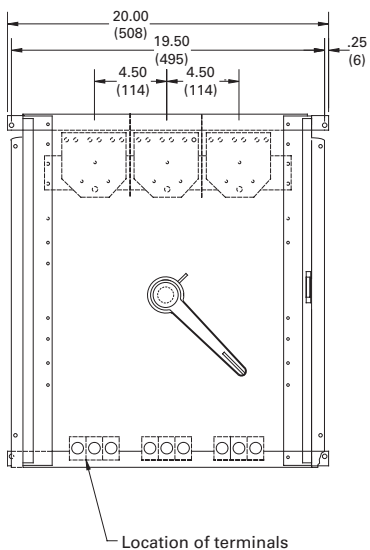
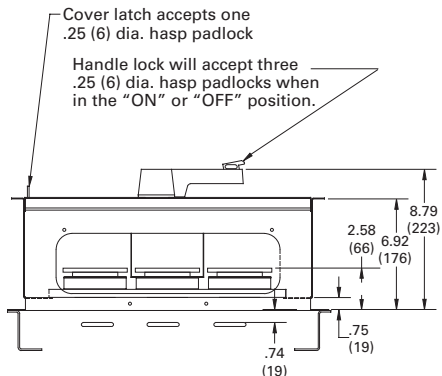


Non-Metered Fusible Switch Layouts Cont'd

800A Switch Layouts

Dimensions in Inches (mm)

16X High, Vertical Fusible Switch - Bottom Feed Main



Main Switch Connector Arrangement

Fusible Switches

Non-Metered Fusible Switches

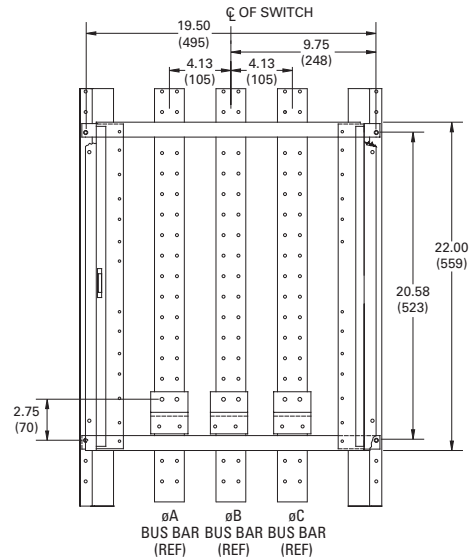
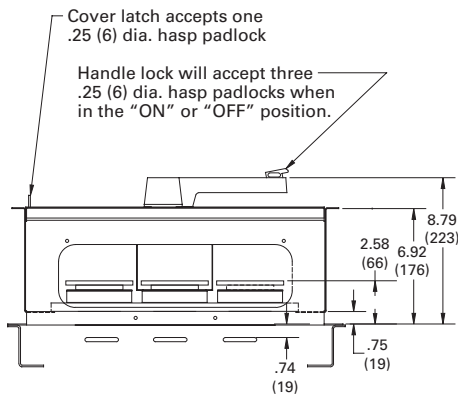
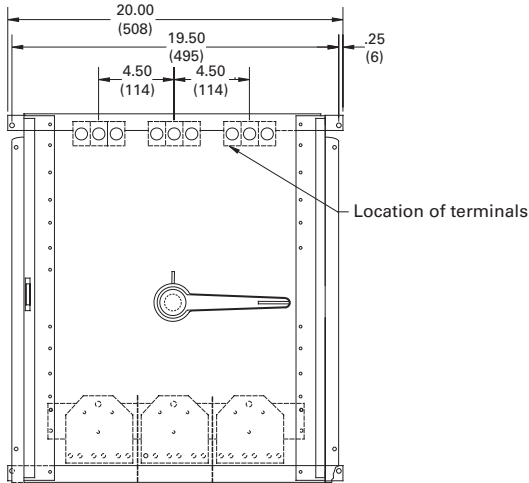
Non-Metered Fusible Switch Layouts Cont'd

2

800A Switch Layouts

Dimensions in Inches (mm)

16X High, Vertical Fusible Switch - Top Feed Main



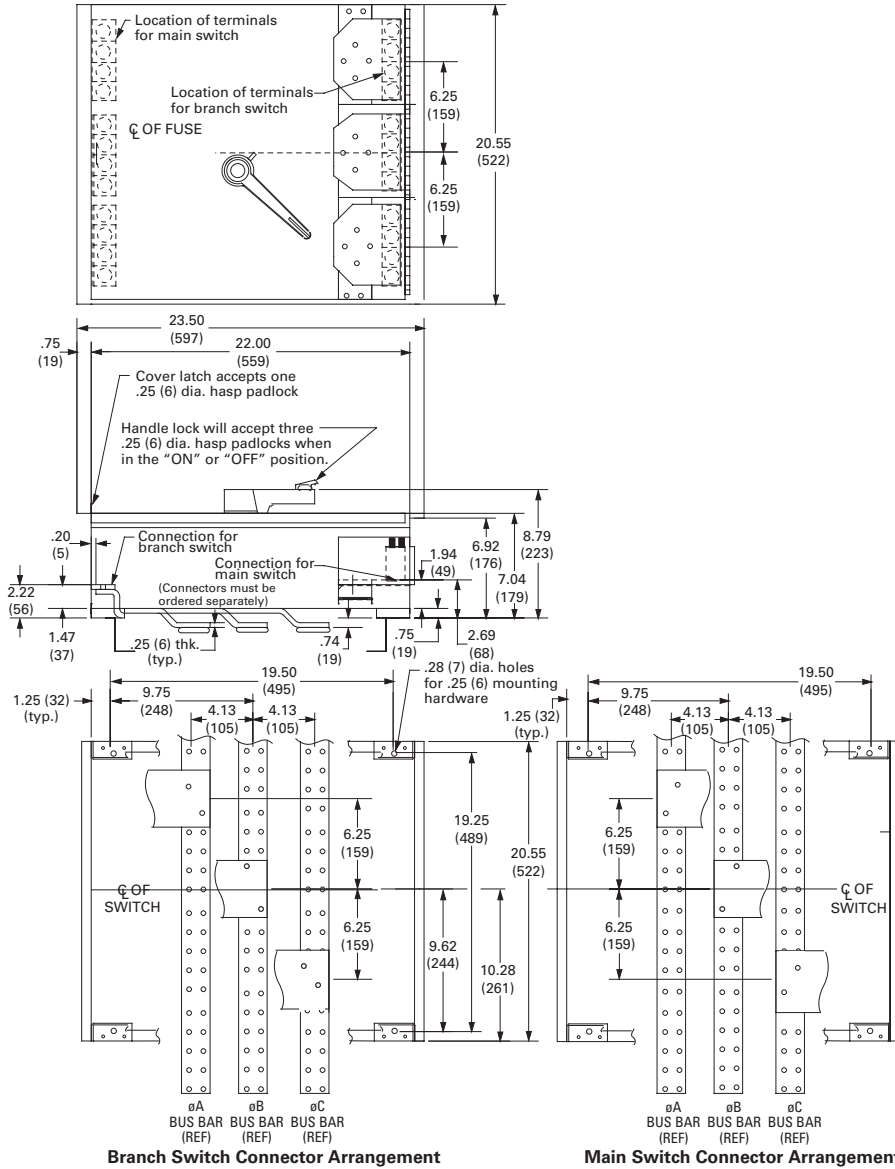
Main Switch Connector Arrangement

Non-Metered Fusible Switch Layouts Cont'd

1200A Switch Layouts

Dimensions in Inches (mm)

15X High, Single Horizontal Fusible Switch



Fusible Switches

Non-Metered Fusible Switches

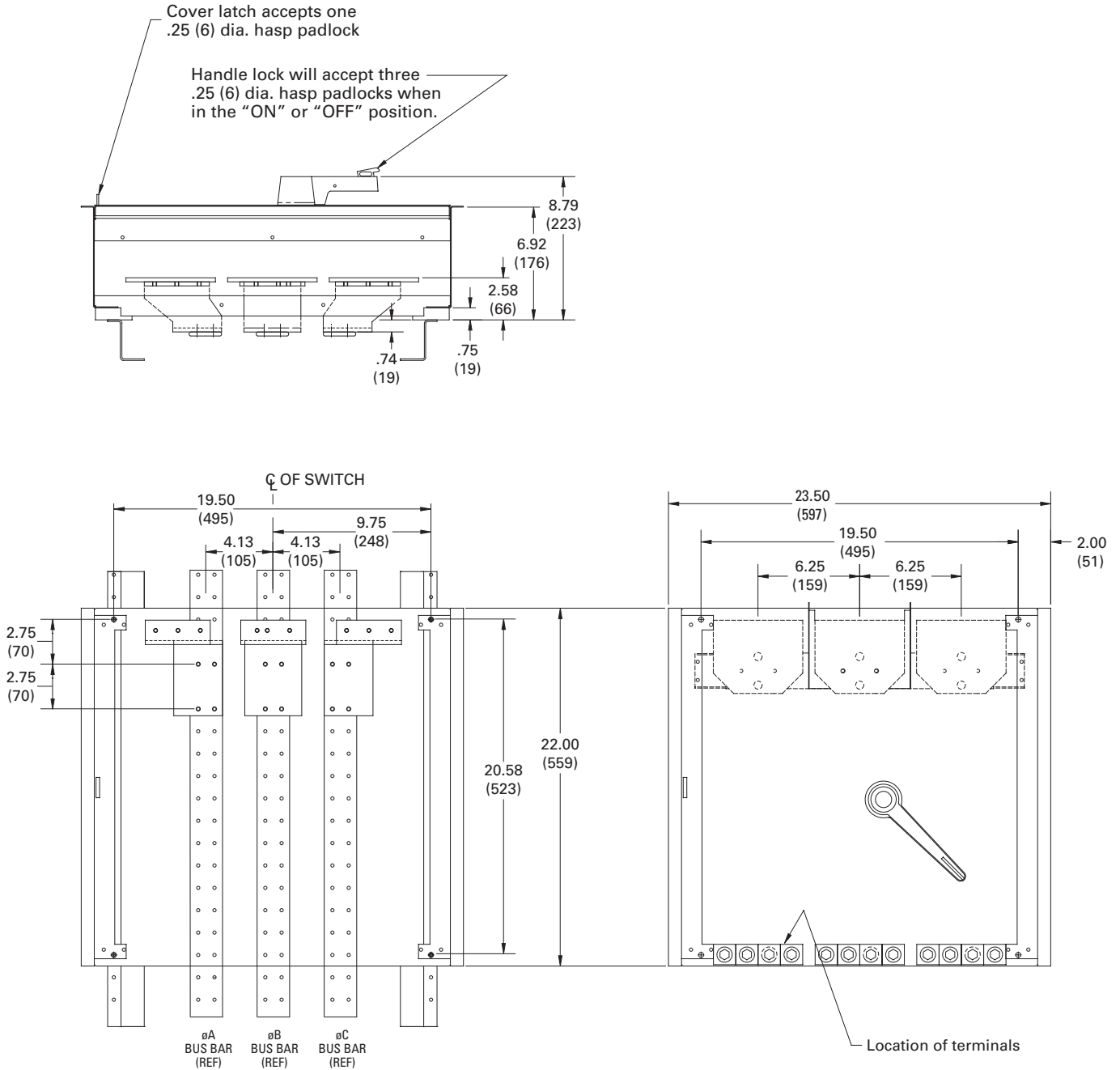
Non-Metered Fusible Switch Layouts Cont'd

2

1200A Switch Layouts

Dimensions in Inches (mm)

16X High, Vertical Fusible Switch - Bottom Feed Main



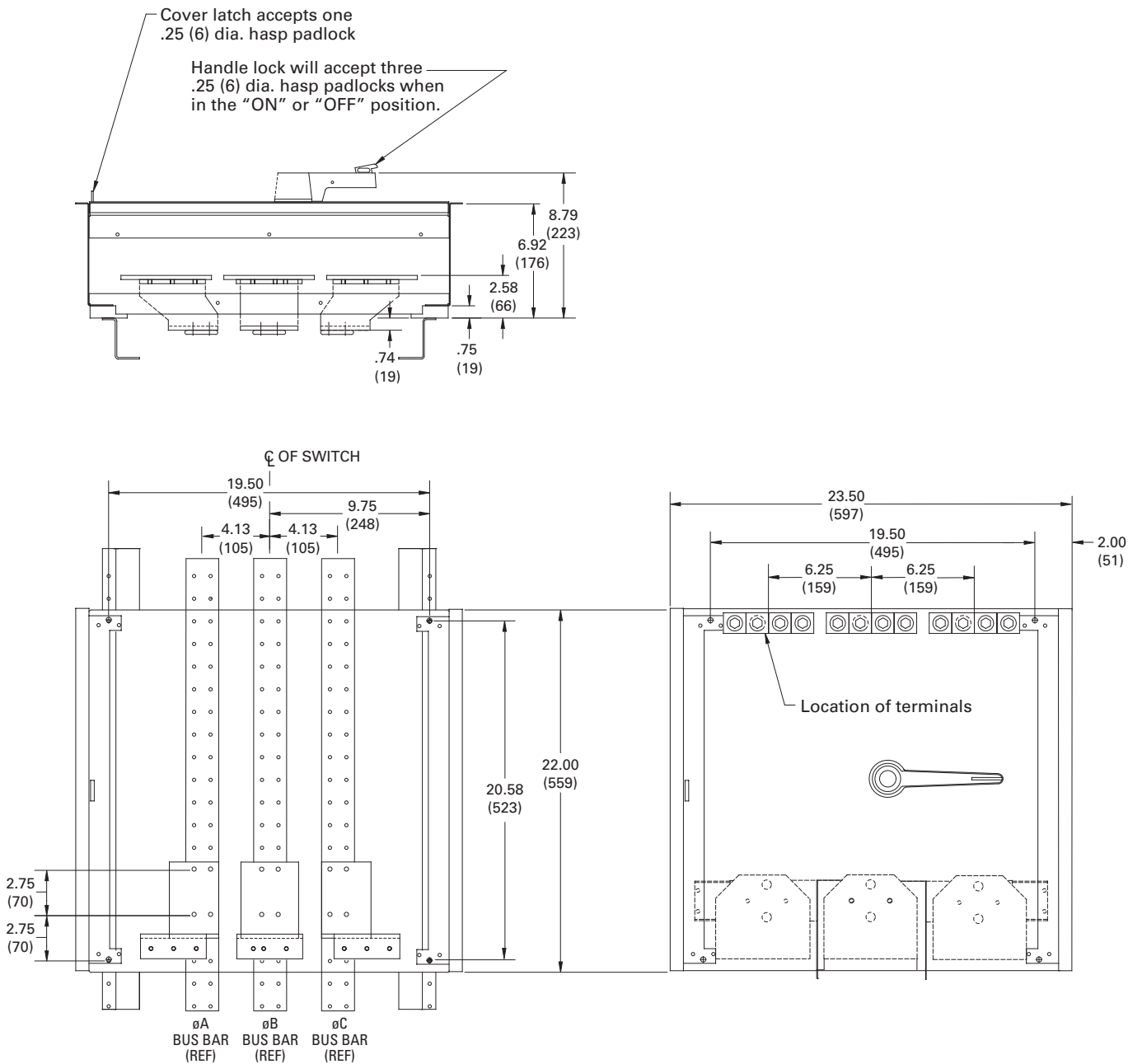
Main Switch Connector Arrangement

Non-Metered Fusible Switch Layouts Cont'd

1200A Switch Layouts

Dimensions in Inches (mm)

16X High, Vertical Fusible Switch - Top Feed Main



Main Switch Connector Arrangement

Fusible Switches

Metered Fusible Switches

Metered Fusible Switches



3

Contents

<i>Description</i>	<i>Page</i>
Product Description	3-23
Product Selection Guide	3-24
Layouts and Dimensions	3-25

Metered Fusible Switch

Product Description

Maximum 1200A up to 600Vac or 600A up to 250Vdc

Maximum interrupting capacity of 200kA at 600Vac

Quick-make, quick-break switches

Utility metering socket provided

Interlocking mechanism prevents opening of switch cover in "ON" position

Pad-lockable Single or twin mount

Application Description

For commercial, industrial and service entrance applications to protect and switch feeder and branch circuits

Standards and Certification

CSA C22.2 No. 229



Metered Fusible Switch Selection Guide

Table 3.1 Metered Fusible Switch Selection Guide

Dimensions in Inches (mm)

40.00 (1016.0) Wide, 7X High, Twin Fusible Switch

Unit 1 Ampere Rating	Unit 2	Fuse Type	Catalogue Number ①	Style No.
60	60	J	FSMC6060	1C01078G01
100	100	J	FSMC100100	1C01079G01
30	30	J	FSMC3030	1C01080G01

40.00 (1016.0) Wide, 7X High, Single Fusible Switch

Ampere Rating	Fuse Type	Catalogue Number ①	Style No.
200	J	FSMCB200	1C01081G02

Note:

① Addition of "HQ" at end of catalogue number for Hydro Quebec specific configuration.

Table 3.2 FSMC Switch Ratings

Ampere Rating	Voltage	Short-Circuit Rating kAIC	Horsepower Rating		Fuse Type	Size and Type of Cu/Al Conductor per Phase
			Standard	Maximum		
30A switch	600 VAC	200	7.5	20	J	#14 to 1/0
	250 VDC	10	5	5	①	#14 to 1/0
60A switch	600 VAC	200	15	50	J	#14 to 1/0
	250 VDC	10	10	10	①	#14 to 1/0
100A switch	600 VAC	200	30	75	J	#14 to 1/0
	250 VDC	10	20	20	①	#14 to 1/0
200A switch ②	600 VAC	200	60	150	J	#4 to 300 kcmil
	250 VDC	10	40	40	①	#4 to 300 kcmil

Note:

① Contact fuse manufacturer for CSA listed DC fuses.

② Switch type FDPB (breaker based).

Horizontally Mounted Fusible Switches—X Spacing ②

48.00 (1219.2) Wide Structure	30-60 100A	30-60 100A	7X
	200A		7X

Note:

① 1X = 1-3/8 inch.

Fusible Switches

Metered Fusible Switches

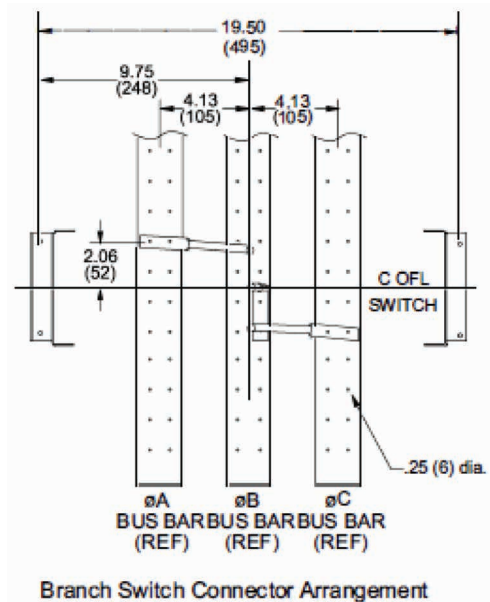
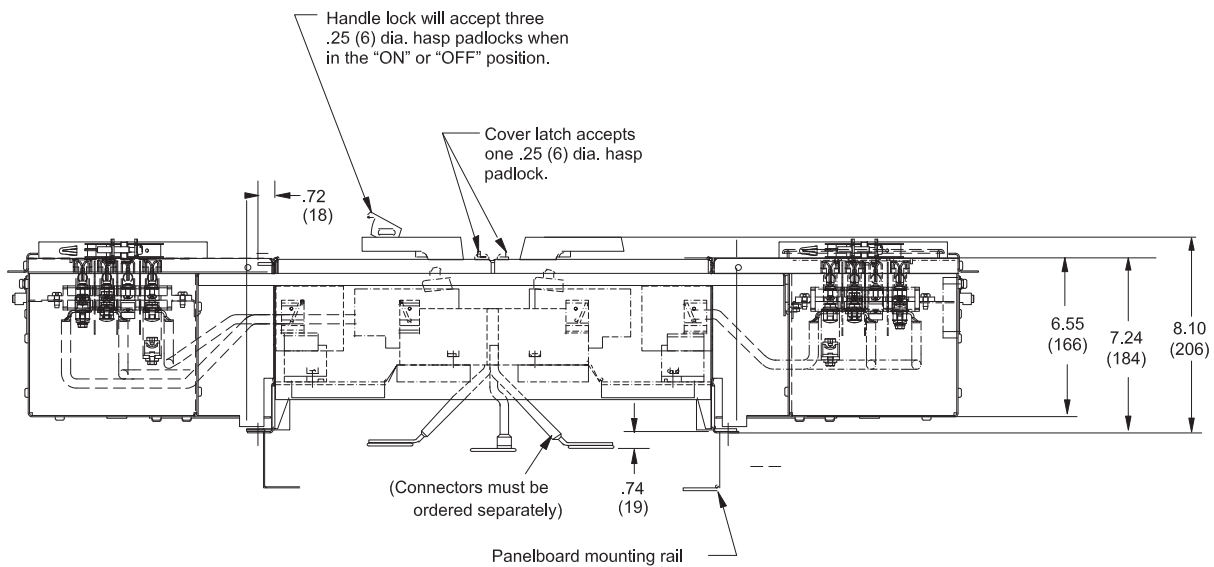
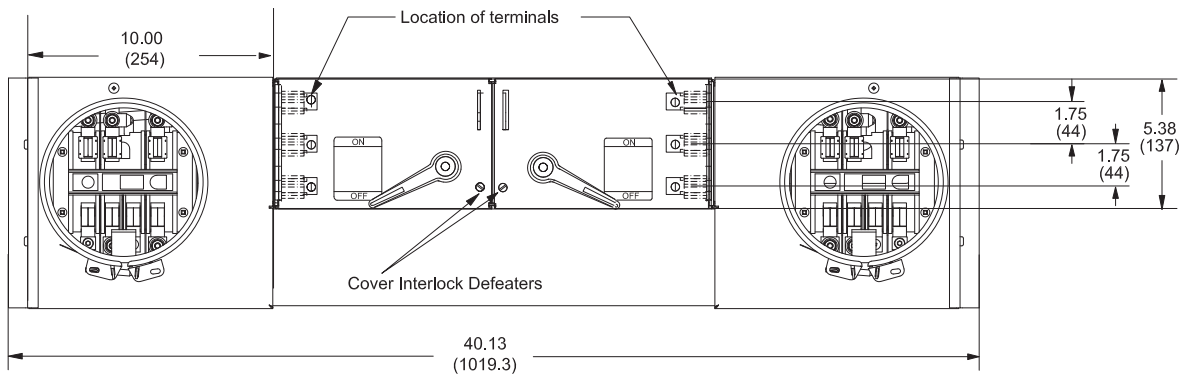
Metered Fusible Switch Layouts Cont'd

30/60/100A Switch Layouts

Dimensions in Inches (mm)

3

5X High, Horizontal Fusible Switch`

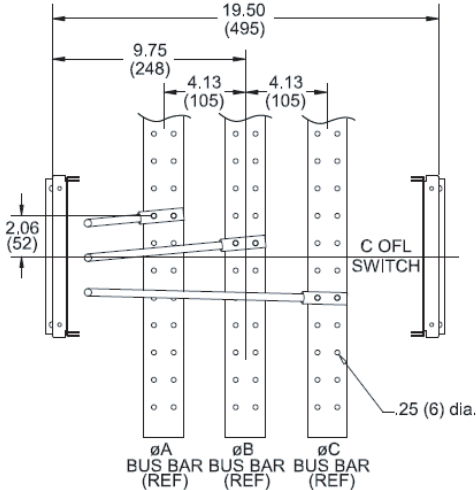
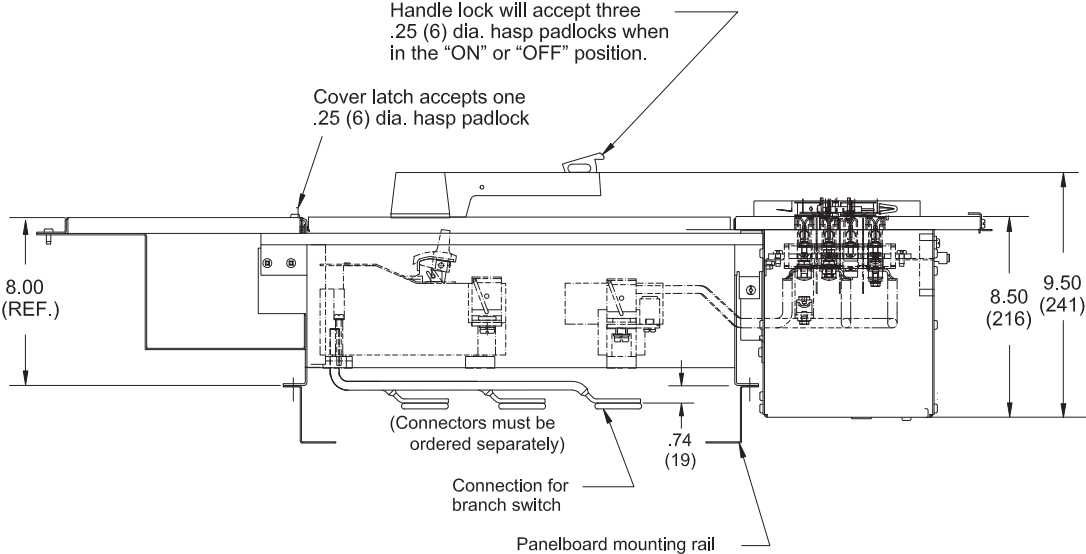
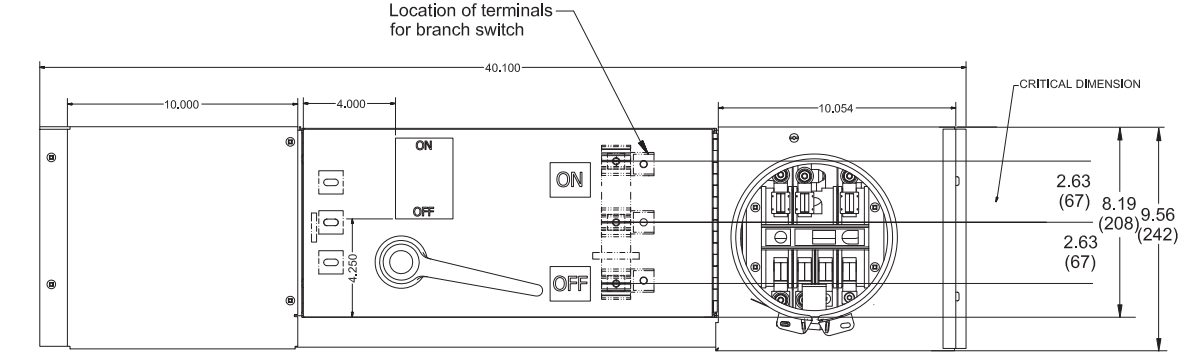


Metered Fusible Switch Layouts Cont'd

200A Switch Layouts

Dimensions in Inches (mm)

6X High, Horizontal Metered Fusible Switch



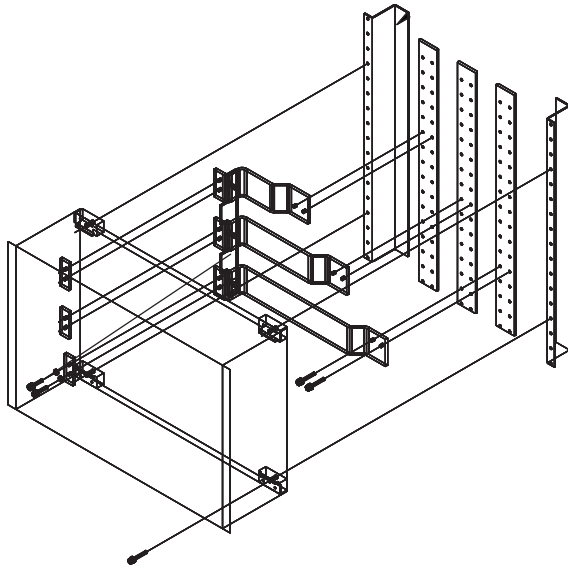
Branch Switch Connector Arrangement

Fusible Switches

Fusible Switch Connector Kit Replacement

Fusible Switch Connector Kit Replacement

4



Contents

<i>Description</i>	<i>Page</i>
Product Description	4-27
Fusible Switch Connector Kit Selection	4-28

Fusible Switch Connector Kit Replacement

Product Description

For sales representatives and distributors looking to replacement fusible switch connector kits, use the following section to quickly identify the right connector kit catalogue number.

Application Description

For commercial, industrial and service entrance applications to protect and switch feeder and branch circuits

Timeline for Fusible Distribution Panel Enclosures and Switches

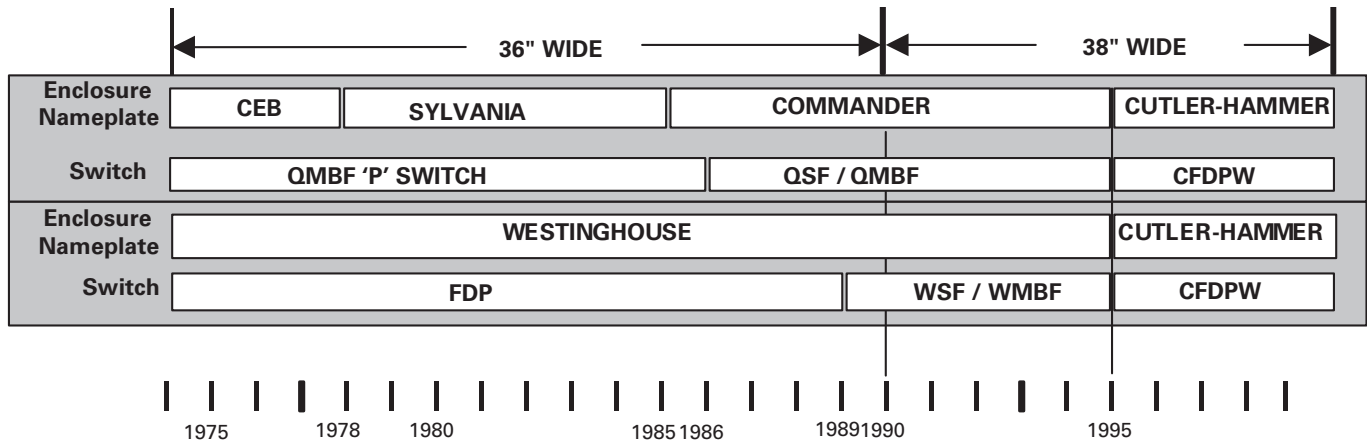


Table 4.1 Replacement Connector Kits

Fusible Switch Connectors for Pow-R-Line 4a Panels (Sept. 1995 to present) (Switch type FDP, CFDP or FSMC)	Catalogue No.
Connector Kit for Twin 30A / 30A switch - Al or Cu Panel bus	KPRL4XW4XT
Connector Kit for Twin 60A / 60A switch - Al or Cu Panel bus	KPRL4XW4XT
Connector Kit for Twin 100A / 100A switch - Al or Cu Panel bus	KPRL4XW5XT
Connector Kit for Single 200A switch - Al or Cu Panel bus OBSOLETE	KPRL4XW6XS
Connector Kit for Single 200A switch - Al or Cu Panel bus Use with new FDPB only	KPRL4XX6XS
Connector Kit for Twin 200A/200A switch - Al or Cu Panel bus OBSOLETE	KPRL4XW6XT
Connector Kit for Twin 200A/200A switch - Al or Cu Panel bus Use with new FDPB only	KPRL4XX6XT
Connector Kit for Single 400A switch - Al or Cu Panel bus	KPRL4XW9X
Connector Kit for Single 600/800A switch - Al or Cu Panel bus	KPRL4XW11X
Connector Kit for Single 1200A switch - Al or Cu Panel bus	KPRL4XW15X
Fusible Switch Connectors for WSF / WMBF / QSF / QMBF Panels (up to 1995)	Catalogue No.
Connector Kit for Twin 30A & 60A switches - Al or Cu panel bus (also use for P-switch)	KWSF4XT
Connector Kit for Twin 100A / 100A switch - Al or Cu panel bus	KWSF5XT
Connector Kit for Single 200A switch - Al or Cu panel bus (also use for P-switch) OBSOLETE	KWSF6XS
Connector Kit for Single FDPB 200A sw only - Al or Cu panel bus (does not work for P-switch)	KWSFB6XS
Connector Kit for Single 400A switch - Al or Cu panel bus	KWSF9X
Connector Kit for Single 600A & 800A switches - Al or Cu panel bus	KWSF11X
1200A Connector Kit Not for use with new switch	
Fusible Switch Connectors for QMBP Panels (up to 1986) (Commander P-switches)	Catalogue No.
Connector Kit for QMBF P-Switch 100A / 100A	KQMBP5XT
Connector Kit for QMBF P-Switch 400A	KQMBP9X
Connector Kit for QMBF P-Switch 600A & 800A	KQMBP11X
Fusible Switch Connectors for FDP Panels (used until 1990)	Catalogue No.
Connector Kit for Twin 30A, 60A, 100A switches - Alum panel bus	KFDP5XT
Connector Kit for Single 200A switch - Alum panel bus OBSOLETE	KFDP6XS
Connector Kit for Single 400A switch - Alum panel bus	KFDP9X
Connector Kit for Single 600A switch - Alum panel bus	KFDP11X
800 and 1200A Connector Kit Not for use with new switch	
Connector Kit for Twin 30A, 60A, 100A switches - Cu panel bus	KFDP5XTC
Connector Kit for Single 200A switch - Cu panel bus OBSOLETE	KFDP6XSC
Connector Kit for Single 400A switch - Cu panel bus	KFDP9XC
Connector Kit for Single 600A switch - Cu panel bus	KFDP11XC

Notes:

For 800 and 1200A Connector Kit Not for use with new switch.

A 200A Alum. Connector kit is no longer available for use with old FDP panelboards. Contact Eaton for retrofit panelboard options.

For Twin 100A, Single 400A and Single 800A.

For 36" wide cell, modifications to the left and right side trims may be required to accommodate the new switch.

For 38" wide cell, modifications to the 2" filler on the right side may be required to accommodate the new switch.

For replacement of old Commander "P" Switches refer to Eaton.

Identify if panel bus is copper or aluminum before you select connector kit. They are not interchangeable.

Eaton
1000 Eaton Boulevard
Cleveland OH. 44122
United States
Eaton.com

Electrical Sector
Canadian Operations
5050 Mainway
Burlington, ON L7L 5Z1
Canada
EatonCanada.ca

© 2021 Eaton Corporation
All Rights Reserved
Printed in Canada
Publication No. CA014025EN
November 2021

Eaton is a registered trademark.

All other trademarks are property
of their respective owners.

Follow us on social media to get the
latest product and support information.

