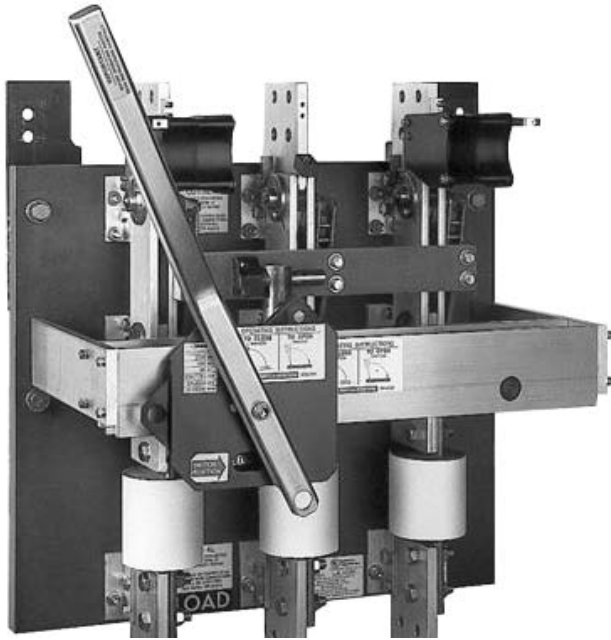


# Pringle switch and replacement parts



## Contents

| Description                                | Page |
|--|------|
| Product description . . . . .              | 2    |
| Features . . . . .                         | 2    |
| Pringle switch information . . . . .       | 3    |
| Catalog numbering systems . . . . .        | 4    |
| Pringle switch replacement parts . . . . . | 5    |
| Cross-reference . . . . .                  | 5    |



*Powering Business Worldwide*

## Product description

Eaton's Pringle™ switches have helped pioneer development of high-quality electrical products for commercial and industrial applications since 1891. Our commitment to engineering excellence and reputation for quality have made us a recognized leader in the electrical industry, and today you'll find our electrical products in use throughout the U.S., Canada and most of the world's major markets. Eaton's Pringle bolted contact switches were the first in the industry and are a worldwide standard in high-current switching applications. They are custom-built and used in many heavy-duty applications, and are suitable for use in UL® 891 switchboards.

## Features

- 480V UL
- 600V CSA®
- 800–4000A
- 5000 and 6000A available (not UL Listed)
- 200 kAIC and 100% rated with Class L fuses
- Top or bottom feed
- Two-, three- or four-pole
- Optional blown fuse detection and protection
- Quick-positive switching action
- Manual or electrically operated mechanism
- 12X Make / 6X Break contact rating
- Can be supplied in NEMA® 1, 3R, 4, or 12 enclosures

## Products include:

### Manually operated (QA)—UL Listed

Manually operated contact switch with quick-positive switching action. It can be top or bottom fed and supplied in a NEMA 1, 3R, 4, or 12 enclosure.

### Electrical trip (CBC)—UL Listed

Contact switch with charge-before-close mechanism. Can be manually or electrically tripped. Optional blown fuse detector and phase failure relay with capacitor trip is available.

### Fault protector electrical trip (FP)—UL Listed

The FP combines the features of a CBC switch but includes an integrated zero-sequence sensor and a ground fault.

### Electrically operated electrical trip (EO)—not UL Listed

The EO combines the features of a CBC switch but includes an operator with a linear motor that electrically closes the switch while charging the stored energy mechanism for stored energy trip.

### Pringle Mill Switch (PMS)—not UL Listed

Manually operated contact switch with quick-positive switching action. Comes in a NEMA 12 or 4 enclosure with a side-operated mechanism. Can be fused or non-fusible, two- or three-pole configurations.

To place an order for a Pringle bolted pressure switch, please call 1-800-356-1243.

## Pringle switch information

**Table 1. Electrical Trip Switches (CBC)**

| Type | Feed   | Amperes | Old Pringle Catalog Number | Vista Catalog Number |
|------|--------|---------|----------------------------|----------------------|
| CBC  | Bottom | 800     | CBC-0833-B-120             | CB0833B120480        |
| CBC  | Bottom | 1200    | CBC-1233-B-120             | CB1233B120480        |
| CBC  | Bottom | 1600    | CBC-1633-B-120             | CB1633B120480        |
| CBC  | Bottom | 2000    | CBC-2033-B-120             | CB2033B120480        |
| CBC  | Bottom | 2500    | CBC-2533-B-120             | CB2533B120480        |
| CBC  | Bottom | 3000    | CBC-3033-B-120             | CB3033B120480        |
| CBC  | Bottom | 4000    | CBC-4033-B-120             | CB4033B120480        |
| CBC  | Bottom | 5000    | CBC-5033-B-120             | CB5033B120480        |
| CBC  | Bottom | 6000    | CBC-6033-B-120             | CB6033B120480        |
| CBC  | Top    | 800     | QA-0833-CBC-120            | CB0833T120480        |
| CBC  | Top    | 1200    | QA-1233-CBC-120            | CB1233T120480        |
| CBC  | Top    | 1600    | QA-1633-CBC-120            | CB1633T120480        |
| CBC  | Top    | 2000    | QA-2033-CBC-120            | CB2033T120480        |
| CBC  | Top    | 2500    | QA-2533-CBC-120            | CB2533T120480        |
| CBC  | Top    | 3000    | QA-3033-CBC-120            | CB3033T120480        |
| CBC  | Top    | 4000    | QA-4033-CBC-120            | CB4033T120480        |
| CBC  | Top    | 5000    | QA-5033-CBC-120            | CB5033T120480        |
| CBC  | Top    | 6000    | QA-6033-CBC-120            | CB6033T120480        |

**Table 2. Fault Protectors (FP)**

| Type | Feed   | Amperes | Old Pringle Catalog Number | Vista Catalog Number |
|------|--------|---------|----------------------------|----------------------|
| FP   | Bottom | 800     | FP-0834-B-480              | FP0834B120480        |
| FP   | Bottom | 1200    | FP-1234-B-480              | FP1234B120480        |
| FP   | Bottom | 1600    | FP-1634-B-480              | FP1634B120480        |
| FP   | Bottom | 2000    | FP-2034-B-480              | FP2034B120480        |
| FP   | Bottom | 2500    | FP-2534-B-480              | FP2534B120480        |
| FP   | Bottom | 3000    | FP-3034-B-480              | FP3034B120480        |
| FP   | Bottom | 4000    | FP-4034-B-480              | FP4034B120480        |
| FP   | Top    | 800     | FP-0834-480                | FP0834T120480        |
| FP   | Top    | 1200    | FP-1234-480                | FP1234T120480        |
| FP   | Top    | 1600    | FP-1634-480                | FP1634T120480        |
| FP   | Top    | 2000    | FP-2034-480                | FP2034T120480        |
| FP   | Top    | 2500    | FP-2534-480                | FP2534T120480        |
| FP   | Top    | 3000    | FP-3034-480                | FP3034T120480        |
| FP   | Top    | 4000    | FP-4034-480                | FP4034T120480        |

**Table 3. Manually Operated Switches (QA)**

| Type | Feed   | Amperes | Old Pringle Catalog Number | Vista Catalog Number |
|------|--------|---------|----------------------------|----------------------|
| QA   | Bottom | 800     | QA-0833-B                  | QA0833B480 ①         |
| QA   | Bottom | 1200    | QA-1233-B                  | QA1233B480 ①         |
| QA   | Bottom | 1600    | QA-1633-B                  | QA1633B480 ①         |
| QA   | Bottom | 2000    | QA-2033-B                  | QA2033B480 ①         |
| QA   | Bottom | 2500    | QA-2533-B                  | QA2533B480 ①         |
| QA   | Bottom | 3000    | QA-3033-B                  | QA3033B480 ①         |
| QA   | Bottom | 4000    | QA-4033-B                  | QA4033B480 ①         |
| QA   | Bottom | 5000    | QA-5033-B                  | QA5033B480 ①         |
| QA   | Bottom | 6000    | QA-6033-B                  | QA6033B480 ①         |
| QA   | Top    | 800     | QA-0833                    | QA0833T480 ①         |
| QA   | Top    | 1200    | QA-1233                    | QA1233T480 ①         |
| QA   | Top    | 1600    | QA-1633                    | QA1633T480 ①         |
| QA   | Top    | 2000    | QA-2033                    | QA2033T480 ①         |
| QA   | Top    | 2500    | QA-2533                    | QA2533T480 ①         |
| QA   | Top    | 3000    | QA-3033                    | QA3033T480 ①         |
| QA   | Top    | 4000    | QA-4033                    | QA4033T480 ①         |
| QA   | Top    | 5000    | QA-5033                    | QA5033T480 ①         |
| QA   | Top    | 6000    | QA-6033                    | QA6033T480 ①         |

① 208V system also available. For other system voltages, see Table 5 on Page 4.

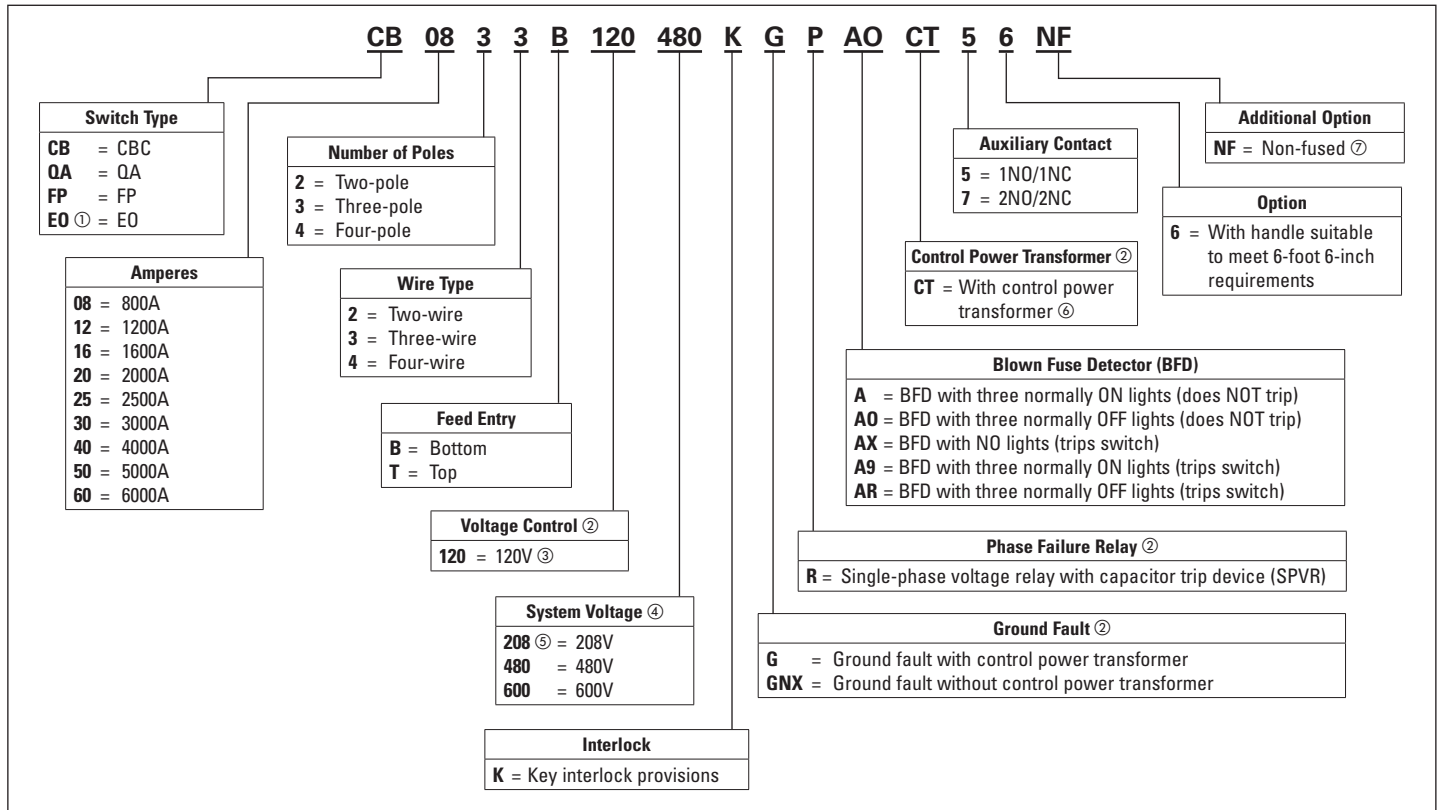
**Table 4. Electrically Operated Switches**

| Type | Feed   | Amperes | Old Pringle Catalog Number | Vista Catalog Number ① |
|------|--------|---------|----------------------------|------------------------|
| FP   | Bottom | 800     | CBC-0833-480-B-E0          | E00833B120480          |
| FP   | Bottom | 1200    | CBC-1233-480-B-E0          | E01233B120480          |
| FP   | Bottom | 1600    | CBC-1633-480-B-E0          | E01633B120480          |
| FP   | Bottom | 2000    | CBC-2033-480-B-E0          | E02033B120480          |
| FP   | Bottom | 2500    | CBC-2533-480-B-E0          | E02533B120480          |
| FP   | Bottom | 3000    | CBC-3033-480-B-E0          | E03033B120480          |
| FP   | Bottom | 4000    | CBC-0833-480-E0            | E00833T120480          |
| FP   | Top    | 800     | CBC-1233-480-E0            | E01233T120480          |
| FP   | Top    | 1200    | CBC-1633-480-E0            | E01633T120480          |
| FP   | Top    | 1600    | CBC-2033-480-E0            | E02033T120480          |
| FP   | Top    | 2000    | CBC-2533-480-E0            | E02533T120480          |
| FP   | Top    | 2500    | CBC-3033-480-E0            | E03033T120480          |
| FP   | Top    | 3000    | CBC-4033-480-E0            | E04033T120480          |

① Substitute 480 with 208 when referencing a different system voltage.

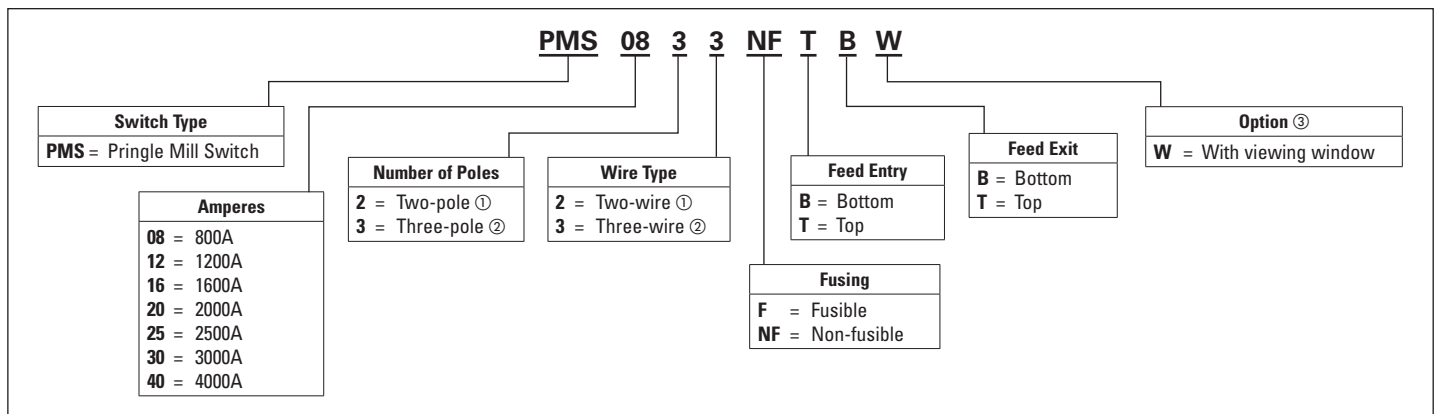
### Catalog numbering systems

Table 5. Vista Catalog Numbering System—CB, QA, FP, EO



- ① Not UL Listed. A separate control box might be required when adding accessories.
- ② Not an option with QA type switches. GF option includes control power transformer.
- ③ 110 Vdc and 125 Vdc also available. Please contact the plant.
- ④ For different system voltage requirements, please contact the plant.
- ⑤ For QA switches, please use a 480V system catalog number when referencing a 208V system.
- ⑥ Only applicable if ordering a CPT only, without ground fault.
- ⑦ Only available with QA switches and in a top-feed configuration.

Table 6. Vista Catalog Numbering System—Pringle Mill Switch



- ① 250 Vdc.
- ② 480 Vac.
- ③ Additional available accessories/options—door interlock, special nameplates, special paint, auxiliary contacts. Please inquire at the Cleveland, TN, plant.

## Pringle switch replacement parts

### Replacement products

- Pole yoke assembly
- Arc chute assembly
- Arcing parts
- Auxiliary contact
- BFD—actuator
- Capacitor
- Clamping mechanism
- Coil/solenoid assembly
- Coil assembly
- Coil only
- Deadfront
- EO motor assembly
- Ground fault relay
- K interlock kit
- Limit switch
- Micro switch
- Pan assembly
- Pole assembly
- Sensor
- SPVR—single-phase voltage relay
- Transformers
- Handles

To place an order for replacement parts, please call  
1-800-356-1243.

## Cross-reference

Table 7. Cross-Reference

| Description   | Feed           | Type       | Vista Style/Catalog Number |
|---|----------------|------------|----------------------------|
| <b>Three-Pole Yoke Assembly</b>                     |                |            |                            |
| 800A  | Bottom and top | QA and CBC | <b>S10035</b>              |
| 1200 and 2000A                                      | Bottom and top | QA and CBC | <b>S10036</b>              |
| 2500A   | Bottom and top | QA and CBC | <b>S10037</b>              |
| 3000 and 4000A                                      | Bottom and top | QA and CBC | <b>S10038</b>              |
| 5000 and 6000A                                      | Bottom and top | QA and CBC | <b>S10039</b>              |
| <b>Arc Chute Assembly</b>                           |                |            |                            |
| Single-Pole   | Bottom and top | QA and CBC | <b>S10075</b>              |
| <b>Arcing Parts</b>                                 |                |            |                            |
| 800A, 480V  | Top            | QA and CBC | <b>S10048</b>              |
| 1200A, 480V   | Top            | QA and CBC | <b>S10049</b>              |
| 1600A, 480V   | Top            | QA and CBC | <b>S10050</b>              |
| 2000A, 480V   | Top            | QA and CBC | <b>S10051</b>              |
| 2500A, 480V   | Top            | QA and CBC | <b>S10052</b>              |
| 3000–6000A, 480V                                    | Top            | QA and CBC | <b>S10053</b>              |
| 800A, 600V  | Top            | QA and CBC | <b>S10054</b>              |
| 1200A, 600V   | Top            | QA and CBC | <b>S10055</b>              |
| 1600A, 600V   | Top            | QA and CBC | <b>S10056</b>              |
| 2000 and 2500A, 600V                                | Top            | QA and CBC | <b>S10057</b>              |
| 3000–6000A, 600V                                    | Top            | QA and CBC | <b>S10058</b>              |
| <b>Auxiliary Contact</b>                            |                |            |                            |
| Replacement auxiliary contact switch (std. 5 and 7) | Bottom and top | QA and CBC | <b>6533</b>                |
| #5 Auxiliary contact kit (1NO/1NC)                  | Bottom and top | QA and CBC | <b>S0005</b>               |
| #7 Auxiliary contact kit (2NO/2NC)                  | Bottom and top | QA and CBC | <b>S0007</b>               |
| <b>Blown Fuse Detection</b>                         |                |            |                            |
| Bussmann blown fuse actuator #KAZ                   | Bottom and top | QA and CBC | <b>6585</b>                |
| Blown fuse kit                                      | Bottom and top | QA and CBC | <b>S0001</b>               |
| <b>Capacitor</b>                                    |                |            |                            |
| ITI CTD-2 capacitor                                 | Bottom and top | QA and CBC | <b>6415</b>                |
| <b>Clamping Mechanism</b>                           |                |            |                            |
| 800A, 480V  | Top            | QA and CBC | <b>S10040</b>              |
| 1200A, 480V   | Top            | QA and CBC | <b>S10041</b>              |
| 1600A, 480V   | Top            | QA and CBC | <b>S10042</b>              |
| 2000A, 480V   | Top            | QA and CBC | <b>S10043</b>              |
| 2500A, 480V   | Top            | QA and CBC | <b>S10044</b>              |
| 3000A, 480V   | Top            | QA and CBC | <b>S10045</b>              |
| 4000A, 480V   | Top            | QA and CBC | <b>S10046</b>              |
| 5000A, 480V   | Top            | QA and CBC | <b>S10047</b>              |
| <b>Coil Assembly/Solenoid Assembly</b>              |                |            |                            |
| 120V solenoid sub-assembly                          | Bottom and top | QA and CBC | <b>S12013</b>              |
| 120V coil only                                      | Bottom and top | QA and CBC | <b>6524</b>                |
| 110 Vdc coil only                                   | Bottom and top | QA and CBC | <b>6528</b>                |

**Table 7. Cross-Reference, Continued**

| Description   | Feed           | Type       | Vista Style/Catalog Number |
|---|----------------|------------|----------------------------|
| <b>Deadfront/Operating Mechanism</b>                  |                |            |                            |
| 800–2000A   | Bottom and top | CBC        | <b>P50014</b>              |
| 2500A   | Bottom and top | CBC        | <b>P50015</b>              |
| 3000 and 4000A  | Bottom and top | CBC        | <b>P50016</b>              |
| 800–2000A (with key interlock provisions)             | Bottom and top | CBC        | <b>P51080</b>              |
| 2500A (with key interlock provisions)                 | Bottom and top | CBC        | <b>P51081</b>              |
| 3000–4000A (with key interlock provisions)            | Bottom and top | CBC        | <b>P51082</b>              |
| 5000 and 6000A (with key interlock provisions)        | Bottom and top | CBC        | <b>S10062</b>              |
| 5000 and 6000A (QA CBC D/F)                           | Bottom and top | CBC        | <b>S10068</b>              |
| 800A  | Bottom and top | QA         | <b>S10064</b>              |
| 1200 and 2000A  | Bottom and top | QA         | <b>S10065</b>              |
| 2500A   | Bottom and top | QA         | <b>S10066</b>              |
| 3000 and 4000A  | Bottom and top | QA         | <b>S10067</b>              |
| 5000 and 6000A (service D/F)                          | Bottom and top | QA         | <b>S20501</b>              |
| 800–2000A, special                                    | Bottom and top | QA         | <b>S10069</b>              |
| 2500A, special  | Bottom and top | QA         | <b>S10070</b>              |
| 3000–4000A, special                                   | Bottom and top | QA         | <b>S10071</b>              |
| 3000 and 4000A (with key interlock provisions)        | Bottom and top | QA         | <b>S10079</b>              |
| <b>Ground Fault Relay</b>                             |                |            |                            |
| BGFL-159-1200 ITI ground fault relay                  | Bottom and top | QA and CBC | <b>4276</b>                |
| <b>K Interlock Kit</b>                                |                |            |                            |
| 800–4000A   | Bottom and top | QA         | <b>S1805R</b>              |
| 800–4000A   | Bottom and top | CBC        | <b>S1806R</b>              |
| <b>Switch</b>   |                |            |                            |
| Replacement limit switch                              | Bottom and top | QA and CBC | <b>6534</b>                |
| MT 4RV A 28 micro switch                              | Bottom and top | QA and CBC | <b>6536</b>                |
| <b>Pan Assembly—SPVR Relay and CPT—480 Vac</b>        |                |            |                            |
| 800–2000A   | Bottom         | CBC        | <b>P55325</b>              |
| 2500A   | Bottom         | CBC        | <b>P55326</b>              |
| 3000–4000A  | Bottom         | CBC        | <b>P55327</b>              |
| 800–2000A   | Top            | CBC        | <b>P51724</b>              |
| 2500A   | Top            | CBC        | <b>P55421</b>              |
| 3000–4000A  | Top            | CBC        | <b>P51726</b>              |
| <b>Pan Assembly—GF and SPVR Relay and CPT—480 Vac</b> |                |            |                            |
| 800–2000A   | Top            | CBC        | <b>P55422</b>              |
| 2500A   | Top            | CBC        | <b>P55423</b>              |
| 3000–4000A  | Top            | CBC        | <b>P55424</b>              |
| 800–2000A   | Bottom         | CBC        | <b>P51750</b>              |
| 2500A   | Bottom         | CBC        | <b>P55437</b>              |
| 3000–4000A  | Bottom         | CBC        | <b>P55425</b>              |
| <b>Pan Assembly—GF and CPT—480 Vac</b>                |                |            |                            |
| 800–2000A   | Top            | CBC        | <b>P55502</b>              |
| 2500A   | Top            | CBC        | <b>P55503</b>              |
| 3000–4000A  | Top            | CBC        | <b>P55504</b>              |
| 800–2000A   | Bottom         | CBC        | <b>P55508</b>              |
| 2500A   | Bottom         | CBC        | <b>P55509</b>              |
| 3000–4000A  | Bottom         | CBC        | <b>P55510</b>              |

**Table 7. Cross-Reference, Continued**

| Description                            | Feed           | Type       | Vista Style/Catalog Number |
|--|----------------|------------|----------------------------|
| <b>Pan Assembly—GF and CPT—208 Vac</b> |                |            |                            |
| 800–2000A                              | Top            | CBC        | <b>P55505</b>              |
| 2500A                                  | Top            | CBC        | <b>P55506</b>              |
| 3000–4000A                             | Top            | CBC        | <b>P55507</b>              |
| 800–2000A                              | Bottom         | CBC        | <b>P55511</b>              |
| 2500A                                  | Bottom         | CBC        | <b>P55512</b>              |
| 3000–4000A                             | Bottom         | CBC        | <b>P55513</b>              |
| <b>Pole Assembly</b>                   |                |            |                            |
| 800A, 480V                             | Top            | QA and CBC | <b>S10005</b>              |
| 1200A, 480V                            | Top            | QA and CBC | <b>S10006</b>              |
| 1600A, 480V                            | Top            | QA and CBC | <b>S10007</b>              |
| 2000A, 480V                            | Top            | QA and CBC | <b>S10008</b>              |
| 2500A, 480V                            | Top            | QA and CBC | <b>S10009</b>              |
| 3000A, 480V                            | Top            | QA and CBC | <b>S10010</b>              |
| 4000A, 480V                            | Top            | QA and CBC | <b>S10011</b>              |
| 5000A, 480V                            | Top            | QA and CBC | <b>S10012</b>              |
| 800A, 480V                             | Bottom         | QA and CBC | <b>S10013</b>              |
| 1200A, 480V                            | Bottom         | QA and CBC | <b>S10014</b>              |
| 1600A, 480V                            | Bottom         | QA and CBC | <b>S10015</b>              |
| 2000A, 480V                            | Bottom         | QA and CBC | <b>S10016</b>              |
| 2500A, 480V                            | Bottom         | QA and CBC | <b>S10017</b>              |
| 3000A, 480V                            | Bottom         | QA and CBC | <b>S10018</b>              |
| 4000A, 480V                            | Bottom         | QA and CBC | <b>S10019</b>              |
| 5000A, 480V                            | Bottom         | QA and CBC | <b>S10020R</b>             |
| 800A, 600V                             | Bottom         | QA and CBC | <b>S10021</b>              |
| 1200A, 600V                            | Bottom         | QA and CBC | <b>S10022</b>              |
| 1600A, 600V                            | Bottom         | QA and CBC | <b>S10023</b>              |
| 2000A, 600V                            | Bottom         | QA and CBC | <b>S10024</b>              |
| 2500A, 600V                            | Bottom         | QA and CBC | <b>S10025</b>              |
| 3000A, 600V                            | Bottom         | QA and CBC | <b>S10026</b>              |
| 4000A, 600V                            | Bottom         | QA and CBC | <b>S10027</b>              |
| 800A, 600V                             | Top            | QA and CBC | <b>S10028</b>              |
| 1200A, 600V                            | Top            | QA and CBC | <b>S10029</b>              |
| 1600A, 600V                            | Top            | QA and CBC | <b>S10030R</b>             |
| 2000A, 600V                            | Top            | QA and CBC | <b>S10031</b>              |
| 2500A, 600V                            | Top            | QA and CBC | <b>S10032</b>              |
| 3000A, 600V                            | Top            | QA and CBC | <b>S10033</b>              |
| 4000A, 600V                            | Top            | QA and CBC | <b>S10034</b>              |
| <b>Sensor</b>                          |                |            |                            |
| 800–2000A (8.0 x 18.0)                 | Bottom and top | CBC        | <b>4296</b>                |
| 2500A (8.0 x 24.0)                     | Bottom and top | CBC        | <b>4297</b>                |
| 3000 and 4000A (8.0 x 36.0)            | Bottom and top | CBC        | <b>4298</b>                |
| 800–2000A, split core (8.0 x 18.0)     | Bottom and top | CBC        | <b>4296SC</b>              |
| 2500A, split core (8.0 x 24.0)         | Bottom and top | CBC        | <b>4297SC</b>              |
| 3000–4000A, split core (8.0 x 36.0)    | Bottom and top | CBC        | <b>4298SC</b>              |

Table 7. Cross-Reference, Continued

| Description  | Feed           | Type            | Vista Style/Catalog Number |
|--|----------------|-----------------|----------------------------|
| <b>Barriers</b>  |                |                 |                            |
| 800A   | Top            | QA              | <b>S5008</b>               |
| 1200–2000A   | Top            | QA              | <b>S5016</b>               |
| 2500A  | Top            | QA              | <b>S5025</b>               |
| 3000–4000A   | Top            | QA              | <b>S5040</b>               |
| 800A   | Bottom         | QA              | <b>S5208</b>               |
| 1200–2000A   | Bottom         | QA              | <b>S5216</b>               |
| 2500A  | Bottom         | QA              | <b>S5225</b>               |
| 3000A  | Bottom         | QA              | <b>S5230</b>               |
| 4000A  | Bottom         | QA              | <b>S5240</b>               |
| 800–2000A  | Top            | CBC and special | <b>S5416</b>               |
| 2500A  | Top            | CBC and special | <b>S5425</b>               |
| 3000–4000A   | Top            | CBC and special | <b>S5440</b>               |
| 800–2000A  | Bottom         | CBC and special | <b>S5616</b>               |
| 2500A  | Bottom         | CBC and special | <b>S5625</b>               |
| 3000A  | Bottom         | CBC and special | <b>S5630</b>               |
| 4000A  | Bottom         | CBC and special | <b>S5640</b>               |
| <b>SPVR—Single-Phase Voltage Relay Kit</b>                 |                |                 |                            |
| 480V (includes relay and support)                          | Bottom and top | QA and CBC      | <b>7137R</b>               |
| 208V (includes relay and support)                          | Bottom and top | QA and CBC      | <b>7139R</b>               |
| <b>TB Pole Assembly</b>                                    |                |                 |                            |
| 4000A, PMS (N/F)   | Bottom and top | QA and CBC      | <b>S10063</b>              |
| <b>Transformers</b>  |                |                 |                            |
| 480V   | Bottom and top | QA and CBC      | <b>4270</b>                |
| 208V   | Bottom and top | QA and CBC      | <b>4272</b>                |
| <b>Handles</b>   |                |                 |                            |
| 800A   | Bottom and top | QA              | <b>2450</b>                |
| 800A, with provision for 6-foot 6-inch handle              | Bottom and top | QA              | <b>2452</b>                |
| 800–2500A, ECOTE   | Bottom and top | QA ①            | <b>2477</b>                |
| 800–2500A, ECOTE, with provision for 6-foot 6-inch handle  | Top            | QA ①            | <b>2521R</b>               |
| 800–2500A, ECOTE, with provision for 6-foot 6-inch handle  | Bottom         | QA ①            | <b>2522R</b>               |
| 1200–2500A   | Bottom and top | QA              | <b>2476</b>                |
| 1200–2500A, with provision for 6-foot 6-inch handle        | Top            | QA              | <b>2442</b>                |
| 1200–2500A, with provision for 6-foot 6-inch handle        | Bottom         | QA              | <b>2443</b>                |
| 3000–4000A, ECOTE, with provision for 6-foot 6-inch handle | Top            | QA ①            | <b>2524R</b>               |
| 3000–4000A, ECOTE, with provision for 6-foot 6-inch handle | Bottom         | QA ①            | <b>2525R</b>               |
| 3000–4000A   | Bottom and top | QA              | <b>2491</b>                |
| 3000–4000A   | Bottom and top | QA ①            | <b>2492</b>                |
| 3000–4000A, with provision for 6-foot 6-inch handle        | Top            | QA              | <b>2446</b>                |
| 3000–4000A, with provision for 6-foot 6-inch handle        | Bottom         | QA              | <b>2447</b>                |

① Special.

Table 7. Cross-Reference, Continued

| Description  | Feed           | Type       | Vista Style/Catalog Number |
|--|----------------|------------|----------------------------|
| <b>Handles, Continued</b>                                  |                |            |                            |
| 5000–6000A   | Bottom and top | QA and CBC | <b>2515R</b>               |
| 800–2500A  | Top            | CBC        | <b>2463</b>                |
| 800–2500A  | Bottom         | CBC        | <b>2467</b>                |
| 800–2500A, ECOTE   | Top            | CBC ①      | <b>2464</b>                |
| 800–2500A, ECOTE   | Bottom         | CBC ①      | <b>2468</b>                |
| 800–2500A, with provision for 6-foot 6-inch handle         | Top            | CBC        | <b>2444</b>                |
| 800–2500A, with provision for 6-foot 6-inch handle         | Bottom         | CBC        | <b>2453</b>                |
| 800–2500A, ECOTE, with provision for 6-foot 6-inch handle  | Top            | CBC ①      | <b>2523</b>                |
| 800–2500A, ECOTE, with provision for 6-foot 6-inch handle  | Bottom         | CBC ①      | <b>2527</b>                |
| 3000–4000A   | Top            | CBC        | <b>2498</b>                |
| 3000–4000A   | Bottom         | CBC        | <b>2502R</b>               |
| 3000–4000A, ECOTE  | Top            | CBC ①      | <b>2499</b>                |
| 3000–4000A, ECOTE  | Bottom         | CBC ①      | <b>2503R</b>               |
| 3000–4000A, with provision for 6-foot 6-inch handle        | Top            | CBC        | <b>2448</b>                |
| 3000–4000A, ECOTE, with provision for 6-foot 6-inch handle | Bottom         | CBC        | <b>2454</b>                |
| 3000–4000A, ECOTE, with provision for 6-foot 6-inch handle | Top            | CBC ①      | <b>2526</b>                |
| 3000–4000A, ECOTE, with provision for 6-foot 6-inch handle | Bottom         | CBC ①      | <b>2528R</b>               |
| 800A   | —              | PMS        | <b>2461</b>                |
| 1200–2500A   | —              | PMS        | <b>2485</b>                |
| 3000–4000A   | —              | PMS        | <b>2512R</b>               |
| <b>Other</b>   |                |            |                            |
| Panel spacer, 1200–4000A                                   | Bottom and top | QA and CBC | <b>0911</b>                |
| Trim plate, 800–4000A                                      | Bottom and top | QA         | <b>3035</b>                |
| Trim plate, 800–4000A                                      | Bottom and top | CBC        | <b>3036</b>                |

① Special.

**Eaton Corporation**  
Electrical Sector  
1111 Superior Avenue  
Cleveland, OH 44114 USA  
Eaton.com

© 2012 Eaton Corporation  
All Rights Reserved  
Printed in USA  
Publication No. TD00808001E / Z12960  
November 2012

Eaton is a registered trademark  
of Eaton Corporation.

All other trademarks are property  
of their respective owners.