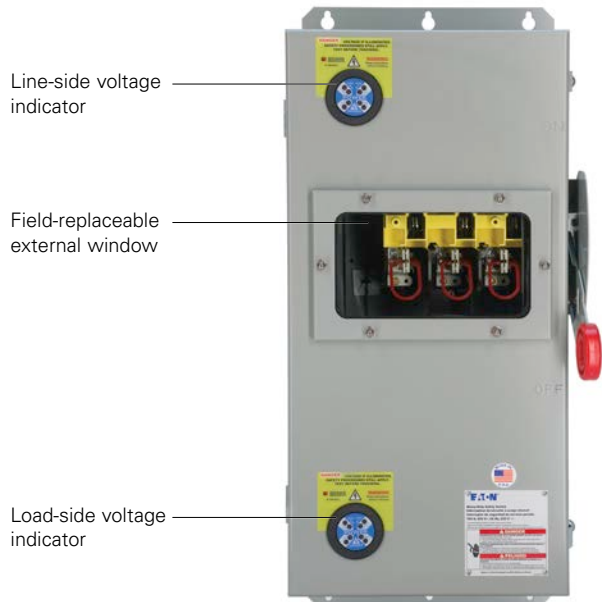


# With voltage indicators, seeing is believing

Higher awareness, higher safety



As electrical systems and safety requirements become more complex, customers are increasingly concerned with the presence of live voltage inside of electrical cabinets and how to increase awareness of the potential hazard.

Eaton's heavy-duty safety switches with viewing windows and integrated voltage indicators provide a safer switching solution. The latest offering in Eaton's enhanced safety switch devices, these products combine a visible disconnecting means with permanently installed indicators that illuminate whenever voltage is present on any individual phase. The end result is a disconnect designed to help improve personnel safety.

## Features

UL® certifications—  
UL 98, file no E5239



Factory installed and wired  
voltage indicators

Enhanced visible blade components  
provide increased visibility over  
each pole, allowing users to clearly  
see the trailing edge of the blade



## Modifications

As with all Eaton safety switches, modifications are available such as custom paint, 316-stainless enclosures and more.

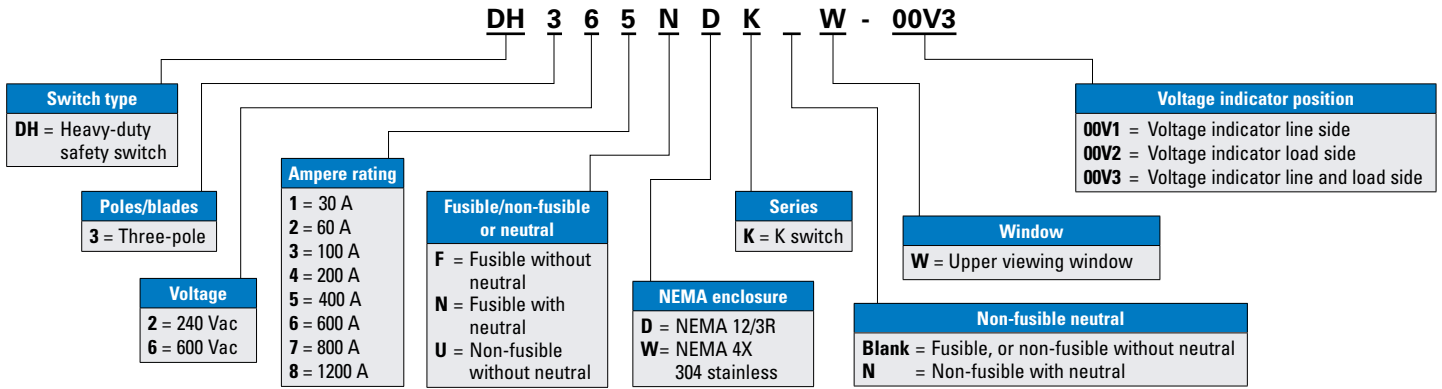
Call the Flex Center at  
**1-888-329-9272** or  
email  
[FlexSwitches@eaton.com](mailto:FlexSwitches@eaton.com)



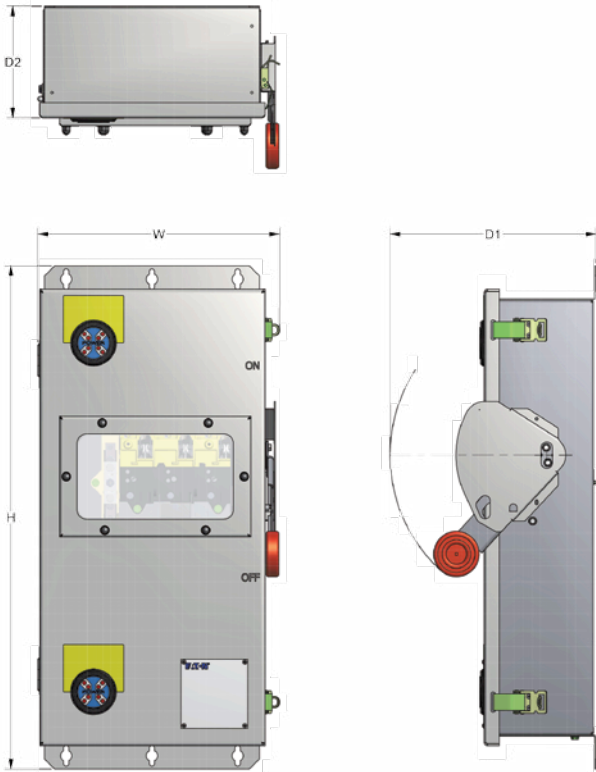
Powering Business Worldwide



# Catalog numbering system



# Technical specifications



## Dimensions in inches (mm)

Ampere rating	Height (H)	Width (W)	Depth (D1)	Depth (D2)
30	24.95 (633.7)	11.97 (304.0)	10.21 (259.3)	5.54 (140.7)
60	24.95 (633.7)	11.97 (304.0)	10.21 (259.3)	5.54 (140.7)
100	24.95 (633.7)	11.97 (304.0)	10.21 (259.3)	5.54 (140.7)
200	35.38 (898.7)	17.17 (436.1)	11.63 (295.4)	6.44 (163.6)
400	57.47 (1459.7)	24.33 (618.0)	12.44 (316.0)	7.19 (182.6)
600	62.97 (1599.4)	25.31 (642.9)	14.02 (356.1)	8.95 (227.3)
800	71.72 (1821.7)	36.56 (928.6)	14.02 (356.1)	8.95 (227.3)
1200	73.77 (1873.8)	43.09 (1094.5)	19.19 (487.4)	12.46 (316.5)

## Standard lug capacities

Ampere rating	Minimum wire size	Maximum wire size	Wire type
30	#14	#2	Cu/Al
60	#14	#2	Cu/Al
100	#14	#1/0	Cu/Al
200	#6	#300 kcmil	Cu/Al
400	(2) #1/0 (1) #1/0	(2) 300 kcmil (1) 750 kcmil	Cu/Al or Cu/Al
600	(1) #2 (1) #1/0	(1) 600 kcmil (1) 750 kcmil	Cu/Al and Cu/Al
800	(4) #1/0	(4) 750 kcmil	Cu/Al
1200	(4) #1/0	(4) 750 kcmil	Cu/Al

Learn more at [Eaton.com/flex](http://Eaton.com/flex)

**Eaton**  
1000 Eaton Boulevard  
Cleveland, OH 44122  
United States  
Eaton.com

© 2017 Eaton  
All Rights Reserved  
Printed in USA  
Publication No. PA008019EN / Z19213  
March 2017

Eaton is a registered trademark.  
All other trademarks are property of their respective owners.

Follow us on social media to get the latest product and support information.

