

NEMA 4X rated wall mount enclosure for PXM350 series



The PXM350-ENC enclosure offers a mounting option for PXM350 series energy meters that helps protect from tampering and the elements. The enclosure is equipped with DIN rail mounting hardware for easy installation, and a NEMA® 4X rating ensures durability. The swing panel kit and multiple locking options provide additional security from unwanted tampering.

Table 1. PXM350-ENC specifications

Dimensions	Length	Width	Height
inch	6.0	6.0	4.0
mm	152	152	102

Table 2. Environmental ratings

Ingress protection (EN 60529)	IP66/IP67
Electrical insulation	Totally insulated
Halogen free (DIN/VDE 0472, part 815)	0
UV resistance	UL 508
Flammability rating	UL 508
Glow wire test (IEC 695-2-1) °C	960
NEMA class	UL Type 4, 4X, 6, 6P, 12 and 13

Ordering information

Catalog Number: PXM350-ENC

WARNINGS

HAZARD OF ELECTRIC SHOCK, EXPLOSION, OR ARC FLASH.

FOLLOW SAFE ELECTRICAL WORK PRACTICES. SEE NFPA 70ET IN THE U.S., OR APPLICABLE LOCAL CODES .

THIS EQUIPMENT MUST ONLY BE INSTALLED AND SERVICED BY QUALIFIED ELECTRICAL PERSONNEL.

READ, UNDERSTAND, AND FOLLOW THE INSTRUCTIONS BEFORE INSTALLING THIS PRODUCT.

TURN OFF ALL POWER SUPPLYING EQUIPMENT BEFORE WORKING ON OR INSIDE THE EQUIPMENT.

USE A PROPERLY RATED VOLTAGE SENSING DEVICE TO CONFIRM POWER IS OFF. DO NOT DEPEND ON THIS PRODUCT FOR VOLTAGE INDICATION.

FAILURE TO FOLLOW THESE INSTRUCTIONS WILL RESULT IN DEATH OR SERIOUS INJURY.



PXM350 meter installed; PXM350 meter and PXM350-ENC are ordered separately.

CAUTION

THIS PRODUCT IS NOT INTENDED FOR LIFE OR SAFETY APPLICATIONS. DO NOT INSTALL THIS PRODUCT IN HAZARDOUS OR CLASSIFIED LOCATIONS. THE INSTALLER IS RESPONSIBLE FOR CONFORMANCE TO ALL APPLICABLE CODES. MOUNT THIS PRODUCT INSIDE A SUITABLE FIRE AND ELECTRICAL ENCLOSURE.

EATON

Powering Business Worldwide

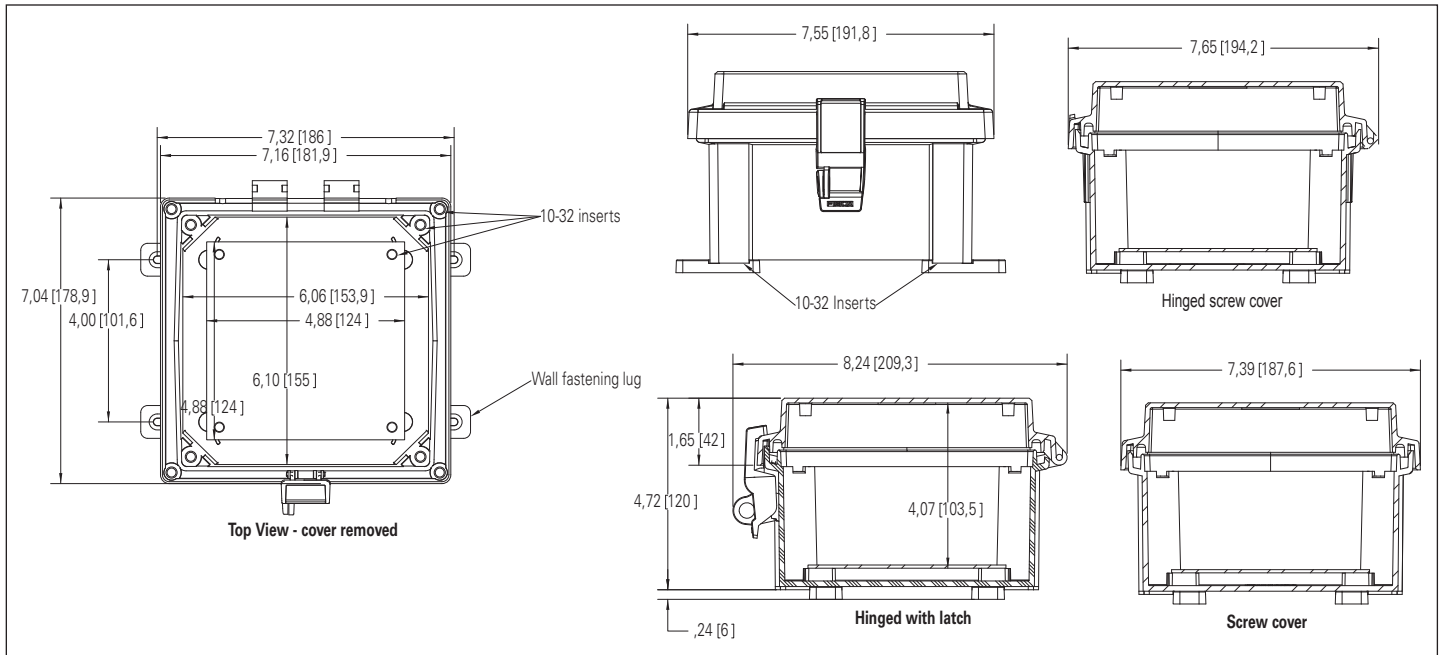


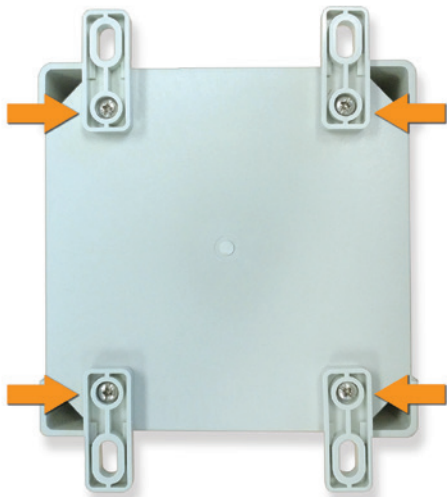
Figure 1. Dimensions

Step 1. Mount the PXM350-ENC enclosure to a wall or a panel

Cut holes in the enclosure for wire conduit connections prior to the installation of the meter in the enclosure. After running the wiring, seal all holes properly to maintain the enclosure rating. If using metallic conduit, bonding between the conduit connections is not automatic and must be provided as a part of the installation.

Take care to protect the equipment from drill chips, filings, and other contaminants when making the wire entry holes and mounting the enclosure to prevent component damage or a future malfunction.

Use the included mounting hardware to attach the mounting feet to the enclosure. Then mount the enclosure to the wall or the panel using either a 4-point or 2-point configuration (hardware for mounting to the wall/panel is provided by the installer). The 4-point configuration is shown below. For a 2-point configuration, mount the feet as shown, but rotate the bottom feet 180 degrees so that they are flush against the back of the enclosure.



Step 2. Install PXM350 series meter onto DIN rail inside the PXM350-ENC

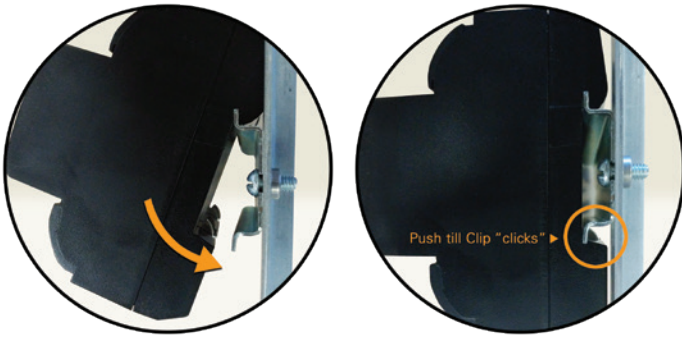
The PXM350 series meter is shipped with a set of two DIN rail clips included. These clips are already installed into the slots on the back of the housing from the middle, moving outward. Stopping pegs must face the underside of the housing.



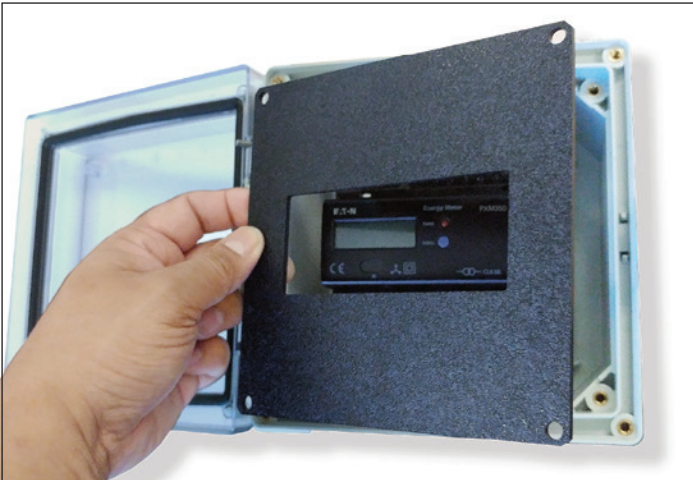
Push the bottom of the meter onto the DIN rail until there is an audible click.



Run meter wiring through the holes drilled previously. Wire the meter according to the instructions in the meter installation guide. Push the top of the meter onto the DIN rail.



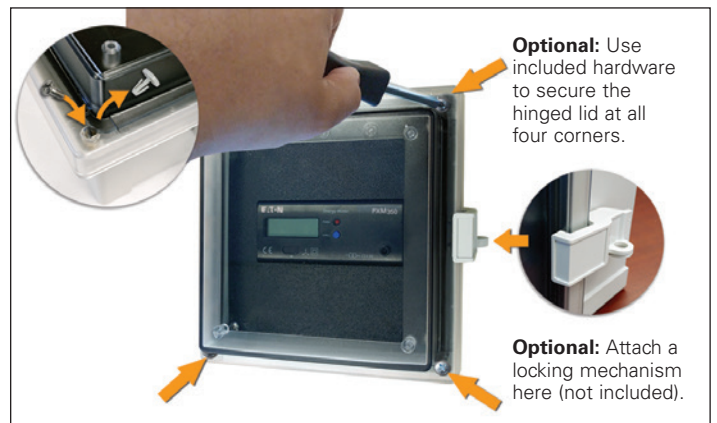
Swing panel cover can be attached using the enclosed hardware.



Close the hinged lid and secure the clasp to close.



Screws are provided to secure the hinged lid. Local codes may require this step to prevent opening by unauthorized persons if a locking mechanism is not used. For added security, the installer may also add a locking mechanism.



Eaton
1000 Eaton Boulevard
Cleveland, OH 44122
United States
Eaton.com

© 2019 Eaton
All Rights Reserved
Printed in USA
Publication No. IL150009EN / VCG
December 2019