

# Current Transformers



Current Transformers

## General Description

Eaton's low voltage current transformers are available in both solid core and split core designs. Engineered for electronic metering applications, all solid core designs and selected split core designs offer ANSI metering quality accuracy. The current transformer offering has a 5A secondary at the rated primary current.

Split core CTs are specifically designed to be installed around primary conductors without disconnecting wires or breaking the circuit to be monitored. These current transformers are perfect solutions for energy management applications and are manufactured for installation ease.

## Application Description

For new construction and retrofit applications where no current transformer exists, Eaton offers a complete selection of low voltage (up to 600V) current transformers. These current transformers can be used in commercial grade applications such as control panels and panelboards. Additionally, they can be used for most industrial metering applications in switchboards, switchgear and motor control centers.

**Note:** Not for use with IQ 35M or IQ MESII.



*Powering Business Worldwide*

**Product Selection**

Solid Core ANSI Metering Accuracy					
Primary Current Rating	ANSI B0.1 Metering Class at 60 Hz (Accuracy in %)	Window Size in Inches (mm) Diameter	Catalog Number	Figure Number for Dimensional Data	Mounting Bracket Catalog Number
300	0.3	1.56 (39.6)	S050-301	1	S050BRAC
400					
500					
600					
750					
800					
1000					
1200			S050-122		
50	1.2	1.25 (31.8)	S060-500	2	①
100					
150					
200					
400	0.3	3.25 (82.6)	S080-401	3	S080BRAC
500					
600					
750					
800					
1000					
1200					
500	0.3	4.25 (108.0)	S090-501	4	S090BRAC
600					
750					
800					
1000					
1200					
1500					
1600					
2000					
2500					
3000					
600					
750					
800					
1000					
1200					
1500					
1600					
2000					
2500					
3000					
3500					
4000					
600	0.3	6.31 (160.3)	S025-601	5	S025BRAC
750					
800					
1000					
1200					
1500					
1600					
2000					
2500					
3000					
3500					
4000					
25					
50					
25	0.3	Wound Primary	W190-025	6	W190BRAC
50					

① No mounting bracket required.

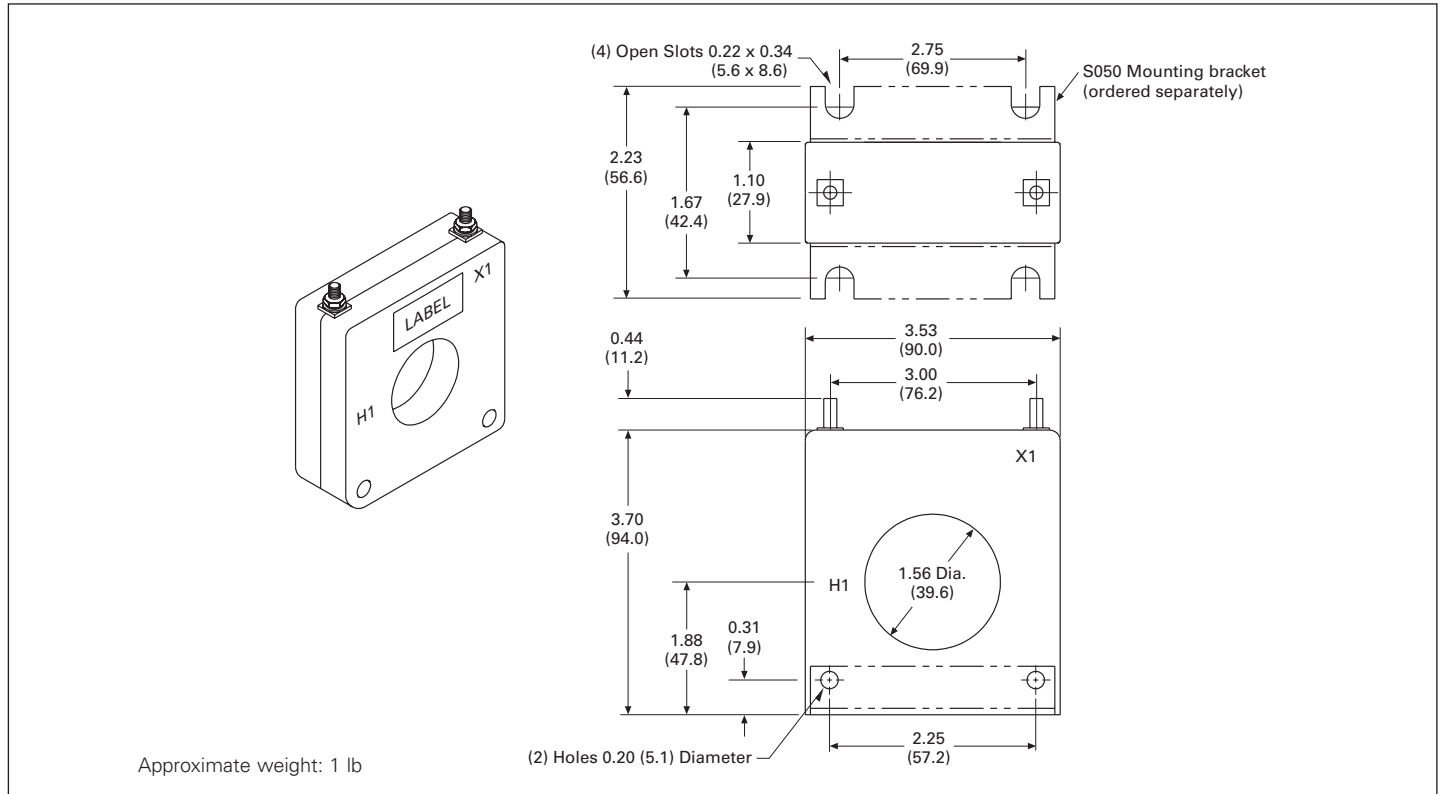
**Product Selection (cont.)**

Split Core ANSI Metering Accuracy				
Primary Current Rating	ANSI B0.1 Metering Class at 60 Hz (Accuracy in %)	Window Size in Inches (mm)	Figure Number for Dimensional Data	Catalog Number
400	2.4	2.00 x 5.50 (50.8 x 139.7)	7	M000-401
500				
600				
800				
1000				
1200				
1500				
1600	0.6			M000-162
2000	0.6			M000-202
600	4.8	4.10 x 7.10 (104.1 x 180.3)	8	M050-601
750				
800				
1000				
1200				
1500				
2000				
2500				
3000				
3500				
4000	0.3			M050-402

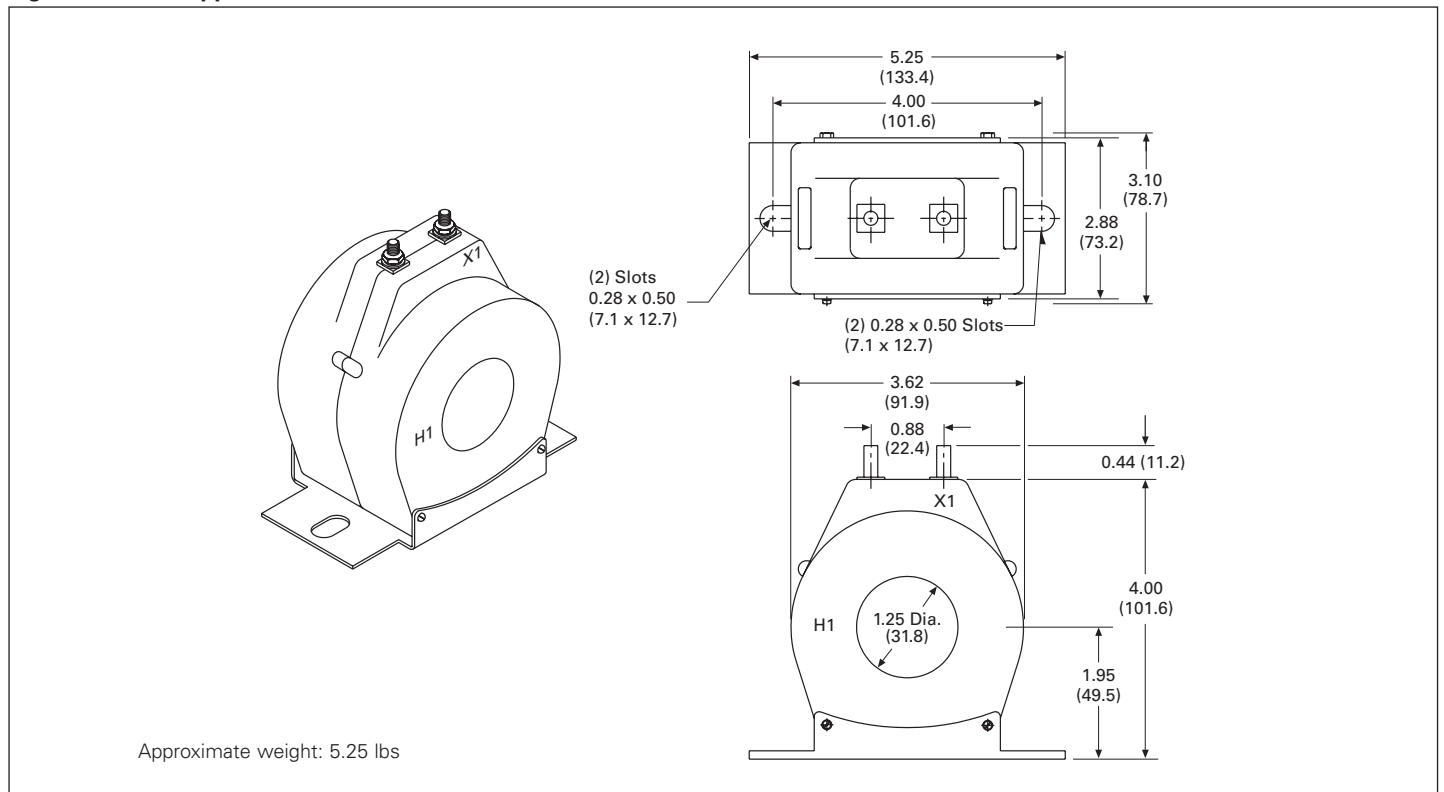
Split Core Current Transformers				
Primary Current Rating	Accuracy at 60 Hz (in %)	Window Size in Inches (mm)	Figure Number for Dimensional Data	Catalog Number
100	5.0	0.80 x 1.95 (20.3 x 49.5)	9	M030-101
150				
200				
300				
400				
100	5.0	1.42 x 1.53 (36.1 x 38.9)	10	M040-101
150				
200				
300				
400				
200	1.0	2.75 x 2.70 (69.9 x 68.6)	11	M060-201
300				
400				
500				
600				
750				
800				
1000				
1200				M060-122
500	1.0	2.60 x 6.25 (66.0 x 158.8)	12	M080-501
600				
800				
1000				
1200				
1500				
1600				
2000				
2500				M080-252
3000				M080-302

**Dimensions in Inches (mm)**

**Figure 1. S050—Approximate Dimensions**

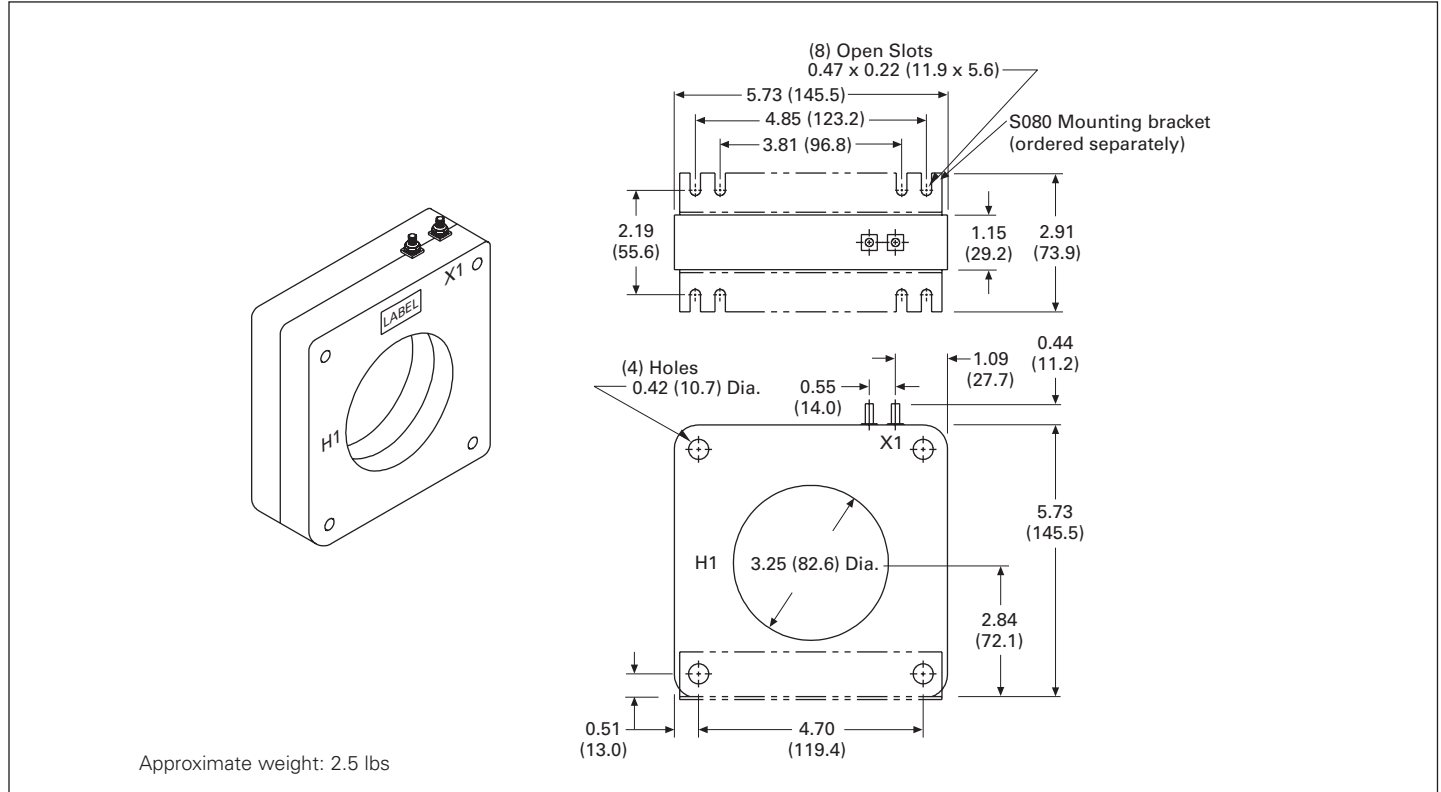


**Figure 2. S060—Approximate Dimensions**

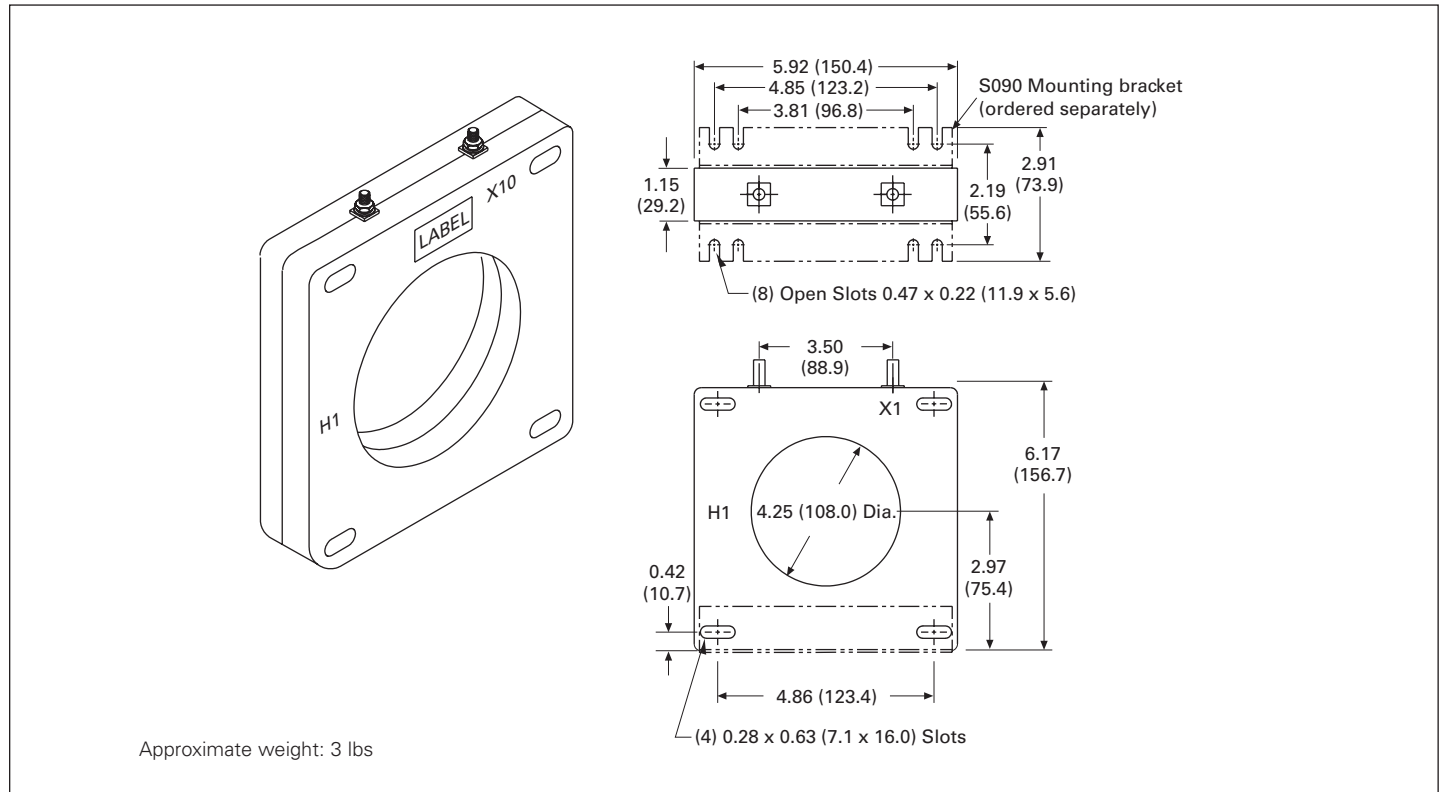


**Dimensions in Inches (mm) (cont.)**

**Figure 3. S080—Approximate Dimensions**

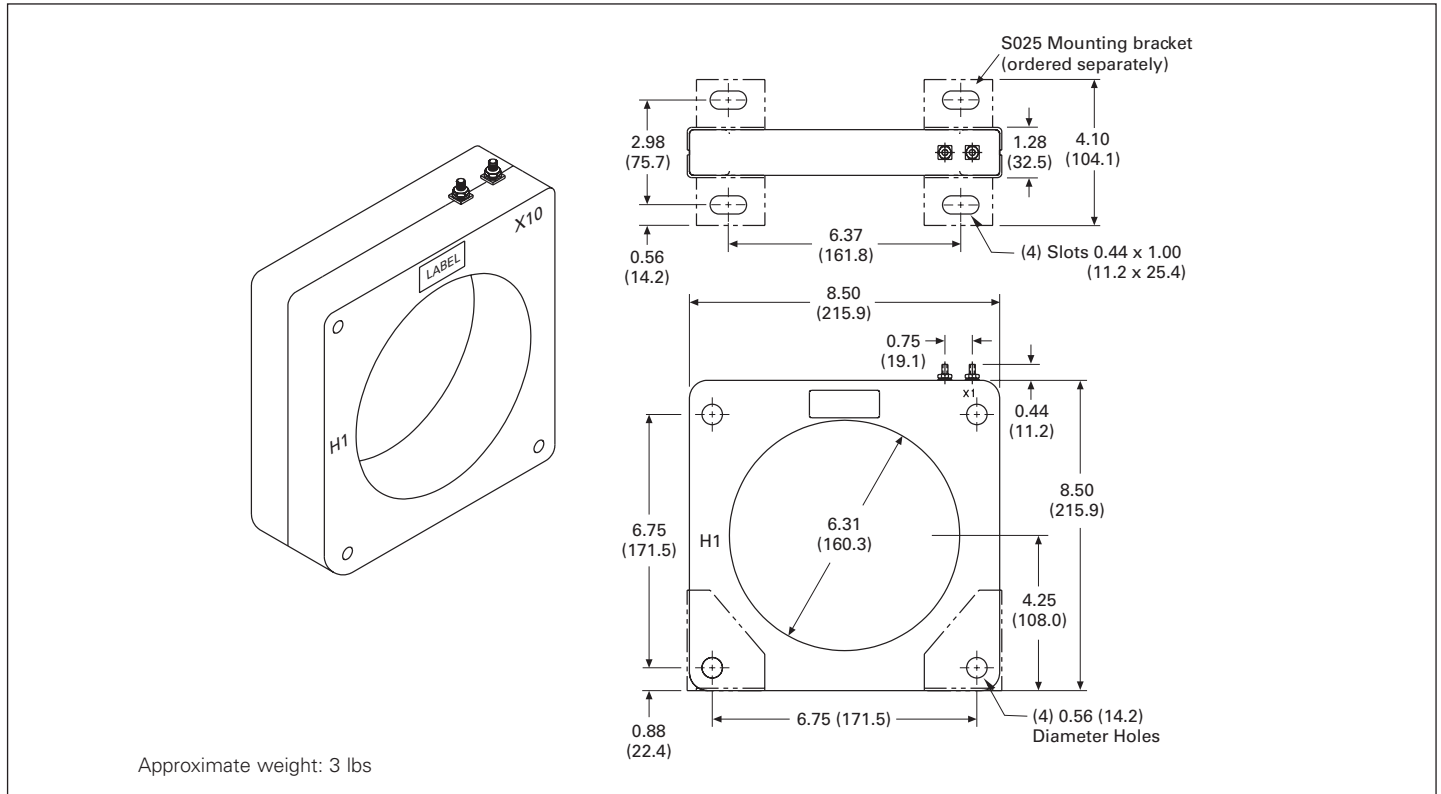


**Figure 4. S090—Approximate Dimensions**

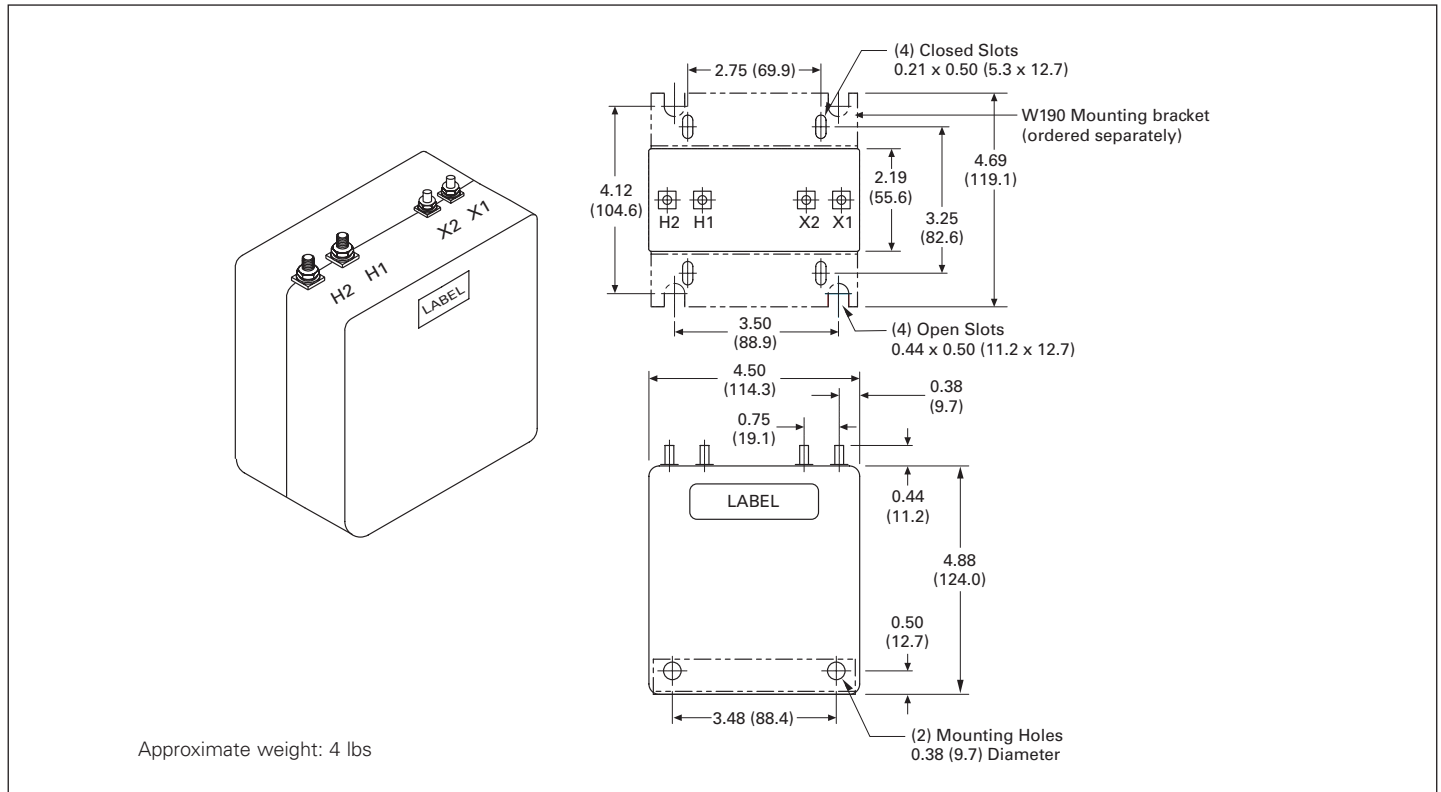


**Dimensions in Inches (mm) (cont.)**

**Figure 5. S025—Approximate Dimensions**

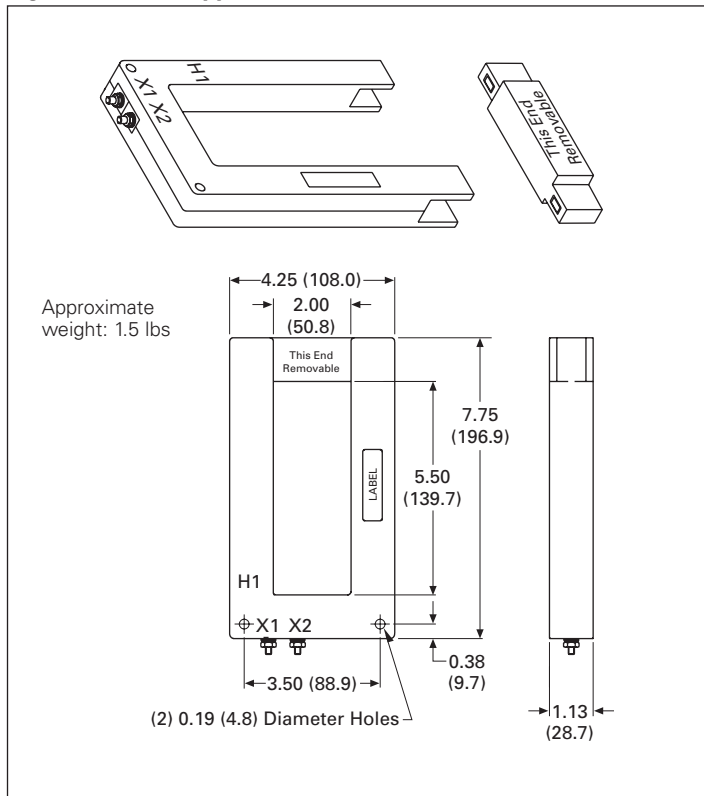


**Figure 6. W190—Approximate Dimensions**

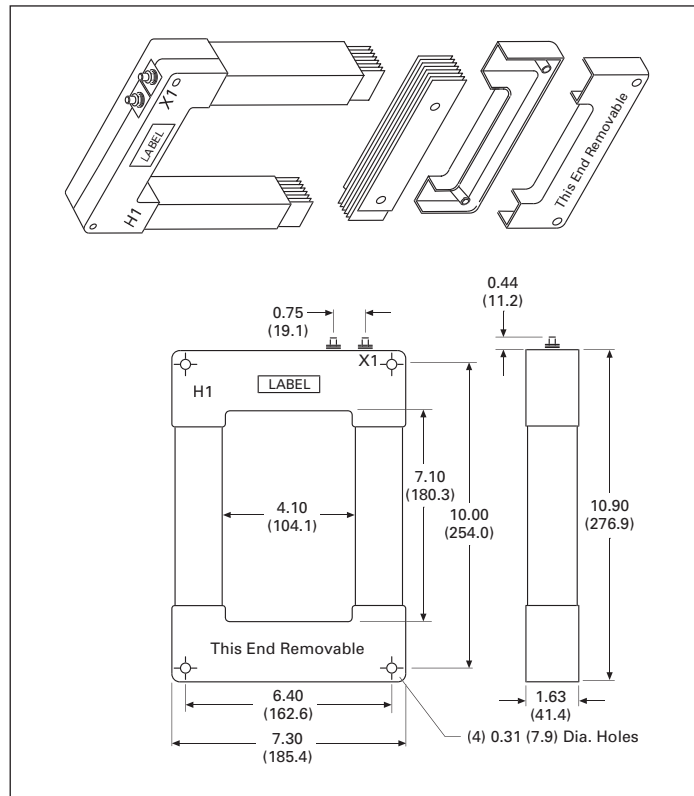


**Dimensions in Inches (mm) (cont.)**

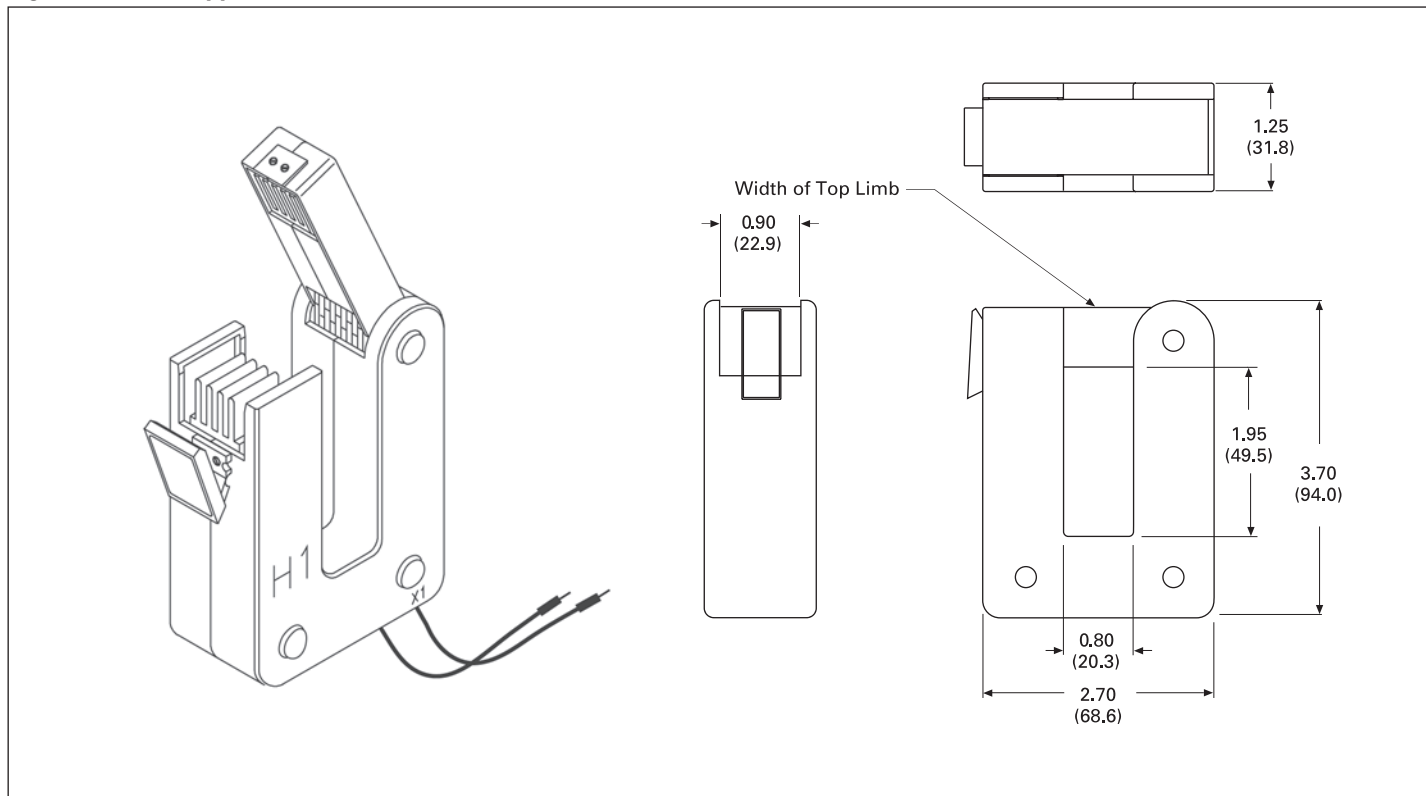
**Figure 7. M000—Approximate Dimensions**



**Figure 8. M050—Approximate Dimensions**



**Figure 9. M030—Approximate Dimensions**



Dimensions in Inches (mm) (cont.)

Figure 10. M040—Approximate Dimensions

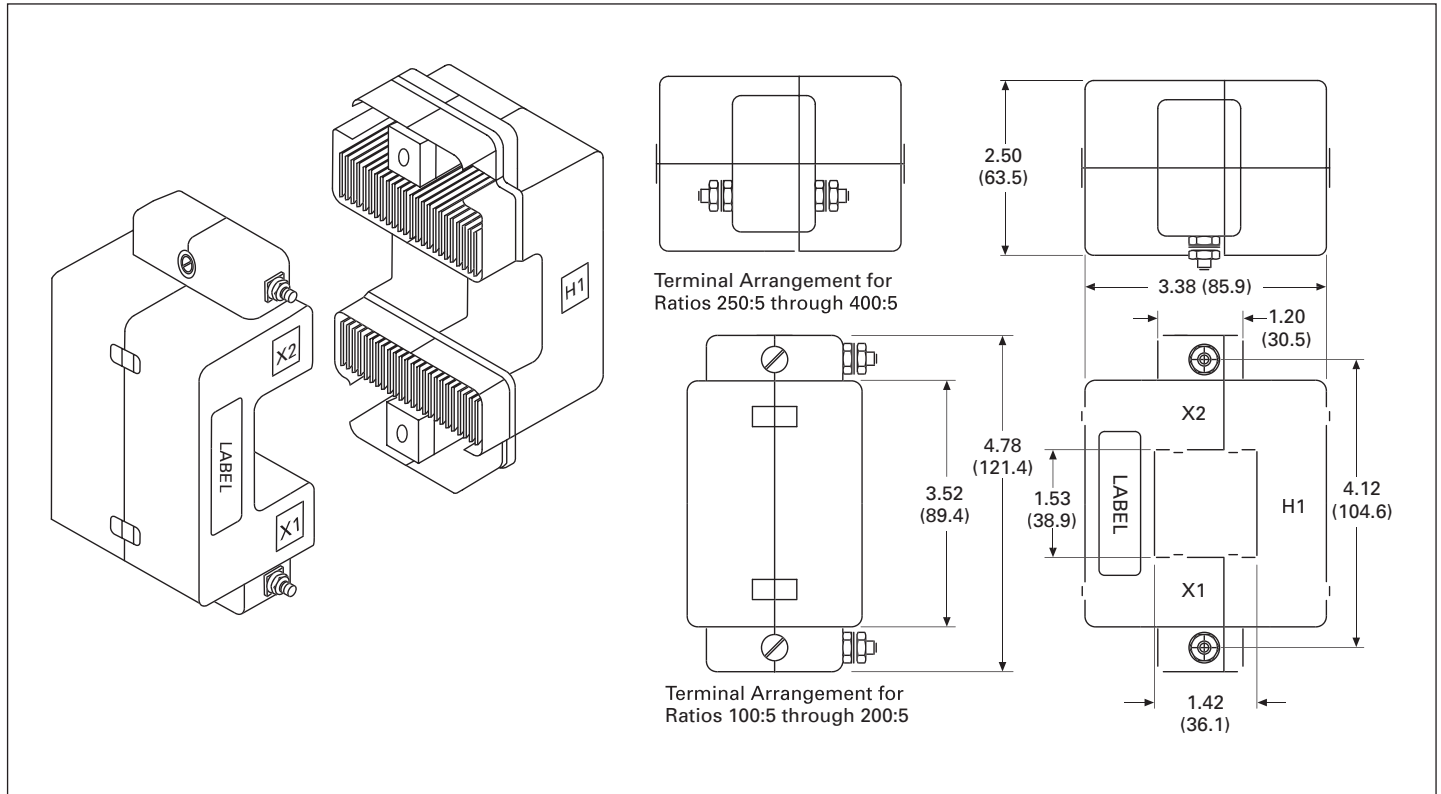


Figure 11. M060—Approximate Dimensions

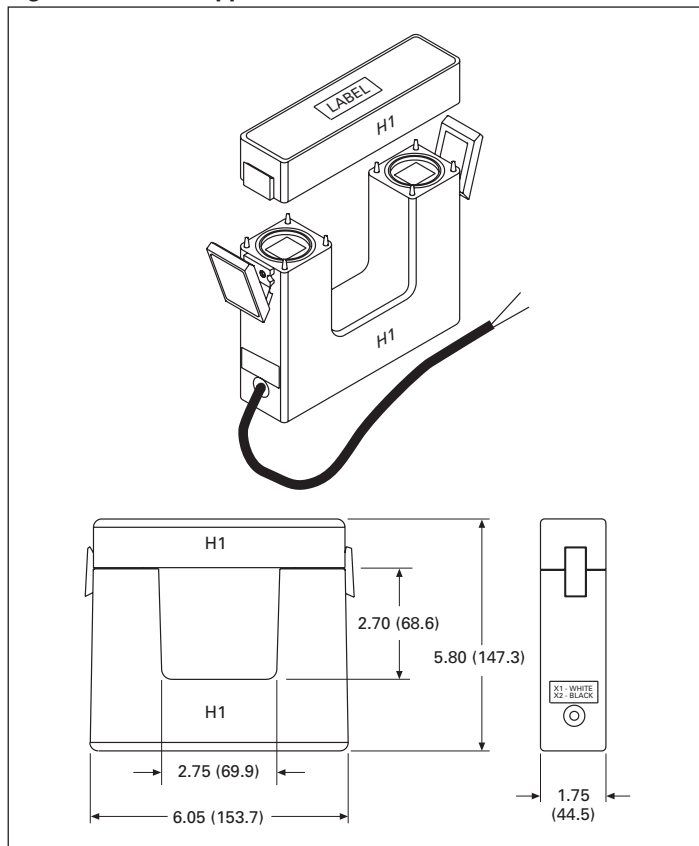
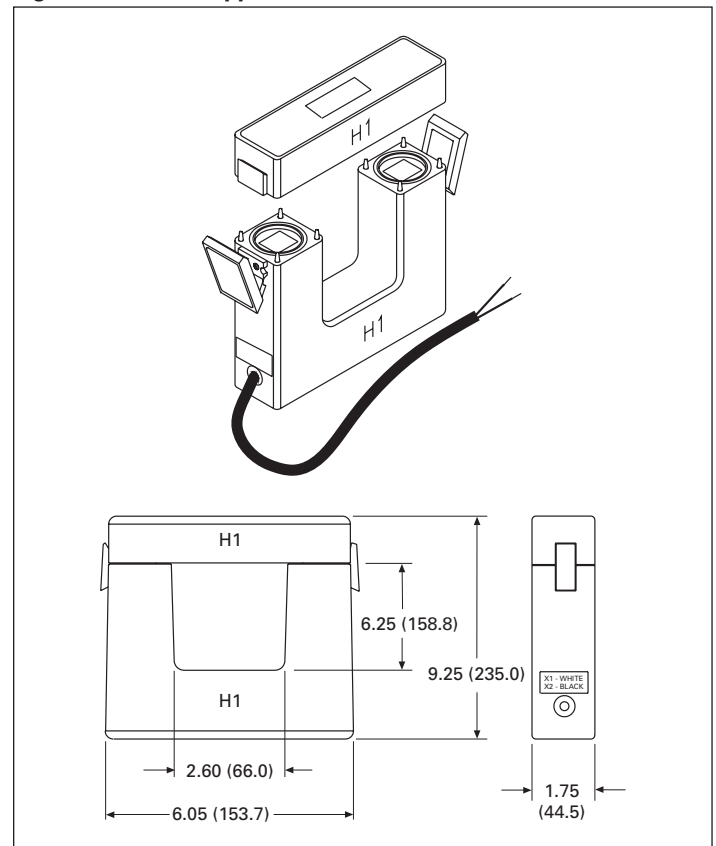


Figure 12. M080—Approximate Dimensions



**Eaton Corporation**

Electrical Sector  
1000 Cherrington Parkway  
Moon Township, PA 15108  
United States  
877-ETN-CARE (877-386-2273)  
Eaton.com/meters

© 2012 Eaton Corporation  
All Rights Reserved  
Printed in USA  
Publication No. TD02601002E / TN  
March 2012



Eaton is a registered trademark of  
Eaton Corporation.

All other trademarks are property of their  
respective owners.