

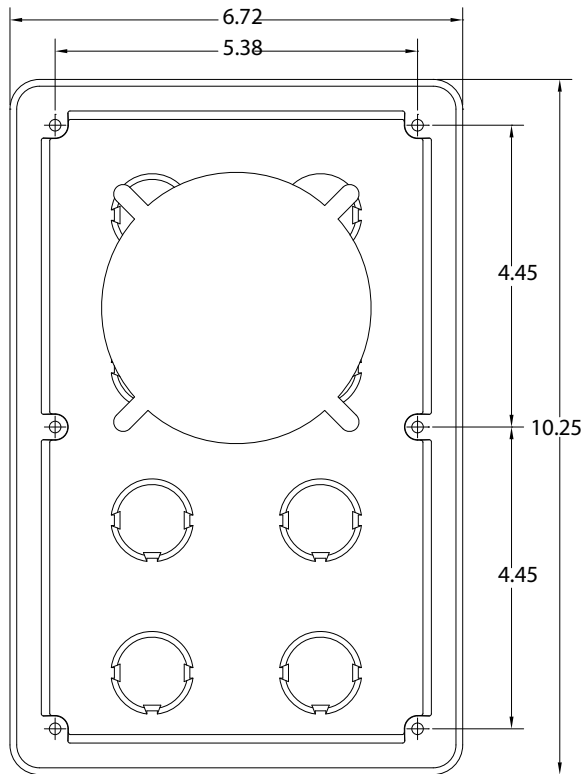
Panel Mounting Adapter Kit

For IQ 100/200 Series and PXM 2000 Meters

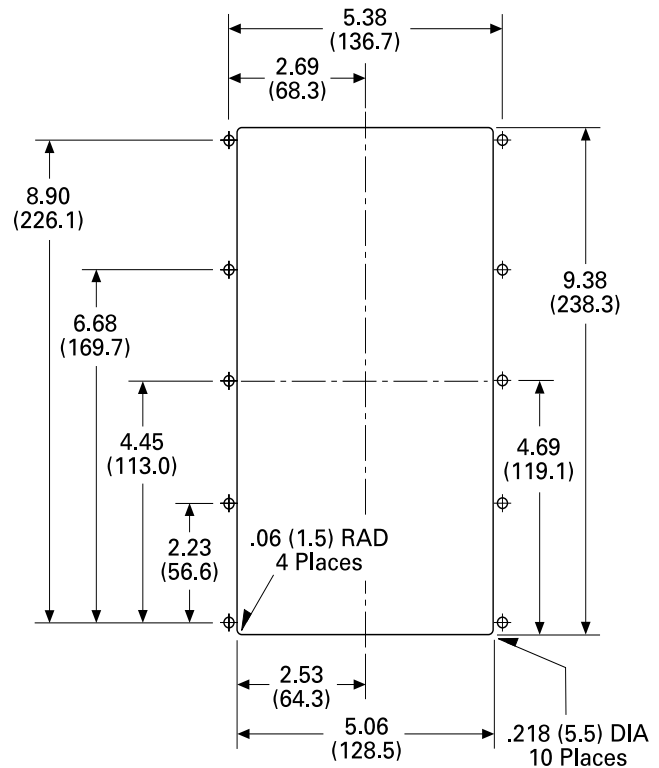


EATON

Powering Business Worldwide



Flange Adapter Plate
Screw Hole Pattern
(Back View)



Typical IQ Flange
Drilling Pattern

Install the Flange Adapter Plate as follows:

- Check that the meter mounting holes in your panel match the six-hole “Flange Adapter Plate Screw Pattern” shown above. (Many IQ metering products followed a ten-hole pattern that works for the flange adapter plate).
- If not, drill six holes in the panel or door to mount the flange adapter plate. Follow the “Typical IQ Drilling Pattern” shown above. You need only the top, center, and bottom sets of holes.
- Install the flange adapter plate. Mount it from the rear using the six screws provided in the kit.
- Install the new IQ100/200 Series or PXM2000 meter in the flange adapter plate. Secure it from behind with the four flat washers, lock washers and nuts provided with the meter.

Note: The catalog number for the adapter kit is IQ250-PMK. The catalog description is: PANEL MOUNTING ADAPTER KIT-IQ250 TO IQ A/DP/DATA_ALSO WORKS WITH IQ100/200 & PXM 2000 SERIES_.

Eaton Corporation
Electrical Group
1000 Cherrington Parkway
Moon Township, PA 15108
United States
877-ETN-CARE (877-386-2273)
Eaton.com

© 2011 Eaton Corporation
All Rights Reserved
Printed in USA
Publication No. IL02601012E
February 2011



PowerChain Management is a registered trademark of Eaton Corporation.

All other trademarks are property of their respective owners.