

# 5A split core current transformers

## Low current ranges

- 100 to 400A

## Description

Split core AC current sensors have different hole sizes and current ratings to suit any application. Split core models are perfect for retrofits. Output is fixed at the industry standard of 0 to 5A.

## Applications

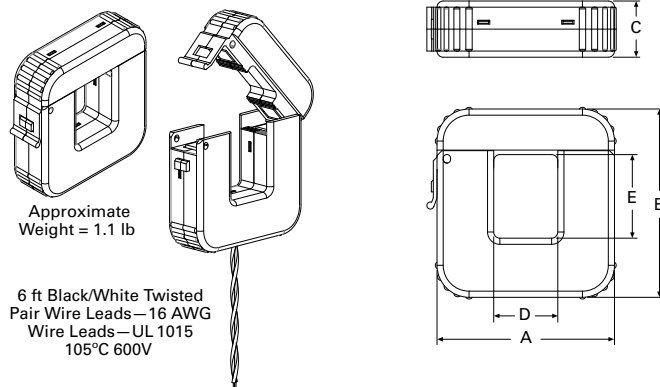
- Data logging
- Recording
- Power monitoring
- Energy management
- Alternative energy monitoring
- Cost allocation

## Features

- High accuracy at 10–130% of rated current
- 0 to 5A standard output: compatible with existing systems
- Swing open for ease of installation (**CT-SP-4**)
- Double secured latches per side and keying holes (**CT-SP-5** and **CT-SP-6**)
- Rigid housing case with UL® 94V-0 durable plastic
- ETL recognized

## Specifications

Item	Specification
<b>Inputs</b>	
Frequency range	40–400 Hz
<b>Accuracy Range</b>	
	10–130% of rated current
<b>Outputs</b>	
Output at rated current	5A
<b>Environmental</b>	
Operating temperature range	–10°C to +60°C (+14°F to +140°F)
Storage temperature range	–20°C to +85°C (+4°F to +185°F)
<b>Lead Length</b>	
	6 ft black/white twisted pair wire leads—16 AWG
<b>Certifications</b>	
	ETL, RoHS
<b>Specifications</b>	
	IEEE® C57.13, IEC 60044-1, C12.20 Standards



Split Core CT-SP-4 Approximate Dimensions in Inches (mm)

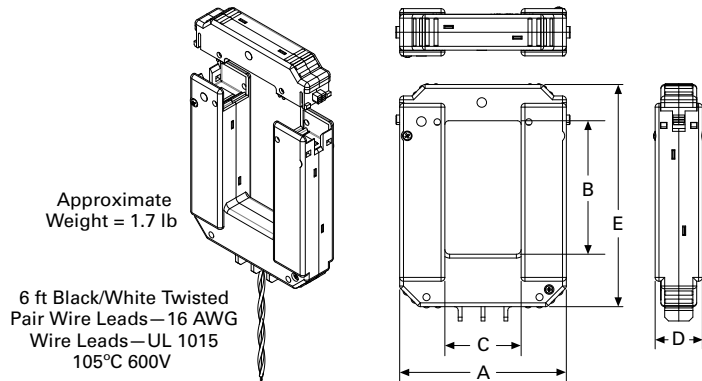
Model Number	Description	A	B	C	D	E	Burden VA ±0.5% Class
<b>CT-SP-4-100-5A</b>	Split core, CT 100/5A, 1.0% accuracy, 1.30 in x 1.70 in	3.60 (91.4)	3.82 (97.0)	1.14 (29.0)	1.30 (33.0)	1.70 (43.2)	1.5 (1.0 Class)
<b>CT-SP-4-200-5A</b>	Split core, CT 200/5A, 0.5% accuracy, 1.30 in x 1.70 in	3.60 (91.4)	3.82 (97.0)	1.14 (29.0)	1.30 (33.0)	1.70 (43.2)	2.1
<b>CT-SP-4-300-5A</b>	Split core, CT 300/5A, 0.5% accuracy, 1.30 in x 1.70 in	3.60 (91.4)	3.82 (97.0)	1.14 (29.0)	1.30 (33.0)	1.70 (43.2)	2.4
<b>CT-SP-4-400-5A</b>	Split core, CT 400/5A, 0.5% accuracy, 1.30 in x 1.70 in	3.60 (91.4)	3.82 (97.0)	1.14 (29.0)	1.30 (33.0)	1.70 (43.2)	2.8



Powering Business Worldwide

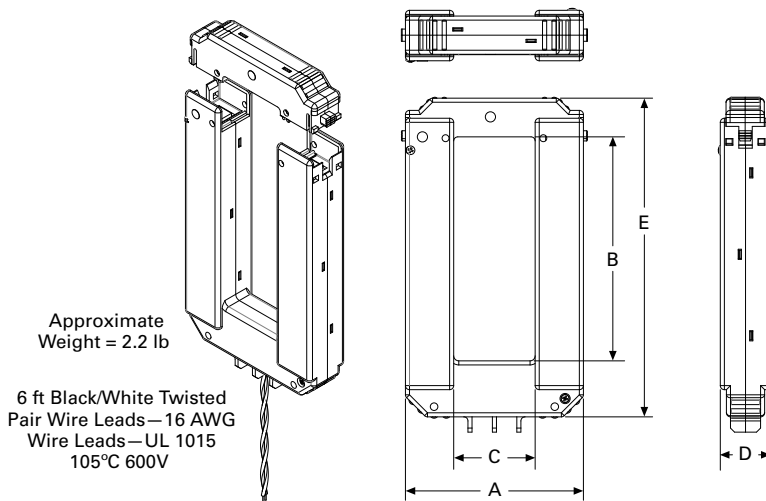
### High current ranges

- 400 to 2000A



#### Split Core CT-SP-5 Approximate Dimensions in Inches (mm)

Model Number	Description	A	B	C	D	E	Burden VA ±0.5% Class
CT-SP-5-200-5A	Split core, CT 200/5A, 1.0% accuracy, 2.00 in x 3.50 in	4.37 (111.0)	3.50 (88.9)	2.00 (50.8)	1.24 (31.5)	5.83 (148.1)	2.25 (1.0 Class)
CT-SP-5-400-5A	Split core, CT 400/5A, 0.6% accuracy, 2.00 in x 3.50 in	4.37 (111.0)	3.50 (88.9)	2.00 (50.8)	1.24 (31.5)	5.83 (148.1)	2.25 (0.6 Class)
CT-SP-5-600-5A	Split core, CT 600/5A, 0.5% accuracy, 2.00 in x 3.50 in	4.37 (111.0)	3.50 (88.9)	2.00 (50.8)	1.24 (31.5)	5.83 (148.1)	2.75
CT-SP-5-800-5A	Split core, CT 800/5A, 0.5% accuracy, 2.00 in x 3.50 in	4.37 (111.0)	3.50 (88.9)	2.00 (50.8)	1.24 (31.5)	5.83 (148.1)	3.75
CT-SP-5-1000-5A	Split core, CT 1000/5A, 0.5% accuracy, 2.00 in x 3.50 in	4.37 (111.0)	3.50 (88.9)	2.00 (50.8)	1.24 (31.5)	5.83 (148.1)	4.50



#### Split Core CT-SP-6 Approximate Dimensions in Inches (mm)

Model Number	Description	A	B	C	D	E	Burden VA ±0.5% Class
CT-SP-6-400-5A	Split core, CT 400/5A, 1.0% accuracy, 2.00 in x 5.50 in	4.37 (111.0)	5.50 (139.7)	2.00 (50.8)	1.24 (31.5)	7.83 (198.9)	2.75 (1.0 Class)
CT-SP-6-600-5A	Split core, CT 600/5A, 0.7% accuracy, 2.00 in x 5.50 in	4.37 (111.0)	5.50 (139.7)	2.00 (50.8)	1.24 (31.5)	7.83 (198.9)	2.75 (0.7 Class)
CT-SP-6-800-5A	Split core, CT 800/5A, 0.6% accuracy, 2.00 in x 5.50 in	4.37 (111.0)	5.50 (139.7)	2.00 (50.8)	1.24 (31.5)	7.83 (198.9)	4.00 (0.6 Class)
CT-SP-6-1000-5A	Split core, CT 1000/5A, 0.5% accuracy, 2.00 in x 5.50 in	4.37 (111.0)	5.50 (139.7)	2.00 (50.8)	1.24 (31.5)	7.83 (198.9)	5.25
CT-SP-6-1200-5A	Split core, CT 1200/5A, 0.5% accuracy, 2.00 in x 5.50 in	4.37 (111.0)	5.50 (139.7)	2.00 (50.8)	1.24 (31.5)	7.83 (198.9)	5.25
CT-SP-6-1600-5A	Split core, CT 1600/5A, 0.5% accuracy, 2.00 in x 5.50 in	4.37 (111.0)	5.50 (139.7)	2.00 (50.8)	1.24 (31.5)	7.83 (198.9)	6.25
CT-SP-6-2000-5A	Split core, CT 2000/5A, 0.5% accuracy, 2.00 in x 5.50 in	4.37 (111.0)	5.50 (139.7)	2.00 (50.8)	1.24 (31.5)	7.83 (198.9)	8.00

Eaton  
1000 Eaton Boulevard  
Cleveland, OH 44122  
United States  
Eaton.com

© 2014 Eaton  
All Rights Reserved  
Printed in USA  
Publication No. TD049001EN / Z14845  
March 2014