

Back to Back Meter to Display Projection Mount Adapter Kit Assembly, PXM 6" Display (PX-PMBD)



Contents

Description	Page
1. Introduction	2
2. Installation	2
2.1 Panel Selection and Preparation	2
2.2 Projection Mount Adapter Kit Installation	4

1. Introduction

The Power Xpert® Meter (PXM) Back to Back Meter to Display Projection Mount Adapter kit (PX-PMBD) is designed for mounting the PXM 6" display and the PXM 4/6/8K meter back to back while minimizing the rear clearance required behind the panel to mount and wire the meter.

Using this adapter kit, the PXM 6" display projects approximately two inches (50.8 mm) in front of the panel. The meter base is mounted using brackets that attach to studs on the display metal mounting adapter and to the mounting surface of the meter base. When assembled, the meter base requires approximately 8.5 inches (215.9 mm) of rear clearance behind the panel surface including a one inch (25.4 mm) bending radius for Cat 5e cable.

2. Installation

Refer to **Figure 1** for assembly details on the Projection Mount Adapter kit.

The PXM 6" display and the PXM 4/6/8K meter are shown in **Figure 1** for reference only. Mounting hardware required for assembly is included with the kit. The design of the Project Mount Adapter kit provides space between the panel surface and the meter base to route the PXM 6" display control power and communications cables.

2.1 Panel Selection and Preparation

⚠ WARNING

COMPLETELY READ AND UNDERSTAND THE MATERIAL PRESENTED IN THIS DOCUMENT BEFORE ATTEMPTING INSTALLATION, OPERATION, OR APPLICATION OF THE EQUIPMENT. ONLY QUALIFIED PERSONS SHOULD BE PERMITTED TO PERFORM ANY WORK ASSOCIATED WITH THE EQUIPMENT. ANY WIRING INSTRUCTIONS PRESENTED IN THIS DOCUMENT OR WITH THE PRODUCT MUST BE FOLLOWED PRECISELY. FAILURE TO DO SO COULD CAUSE PERMANENT EQUIPMENT DAMAGE, BODILY INJURY, OR DEATH.

⚠ WARNING

DO NOT ATTEMPT TO INSTALL OR PERFORM MAINTENANCE ON EQUIPMENT WHILE IT IS ENERGIZED. DEATH, SEVERE PERSONAL INJURY, OR SUBSTANTIAL PROPERTY DAMAGE CAN RESULT FROM CONTACT WITH ENERGIZED EQUIPMENT. ALWAYS VERIFY THAT NO VOLTAGE IS PRESENT BEFORE PROCEEDING WITH THE TASK, AND ALWAYS FOLLOW GENERALLY ACCEPTED SAFETY PROCEDURES.

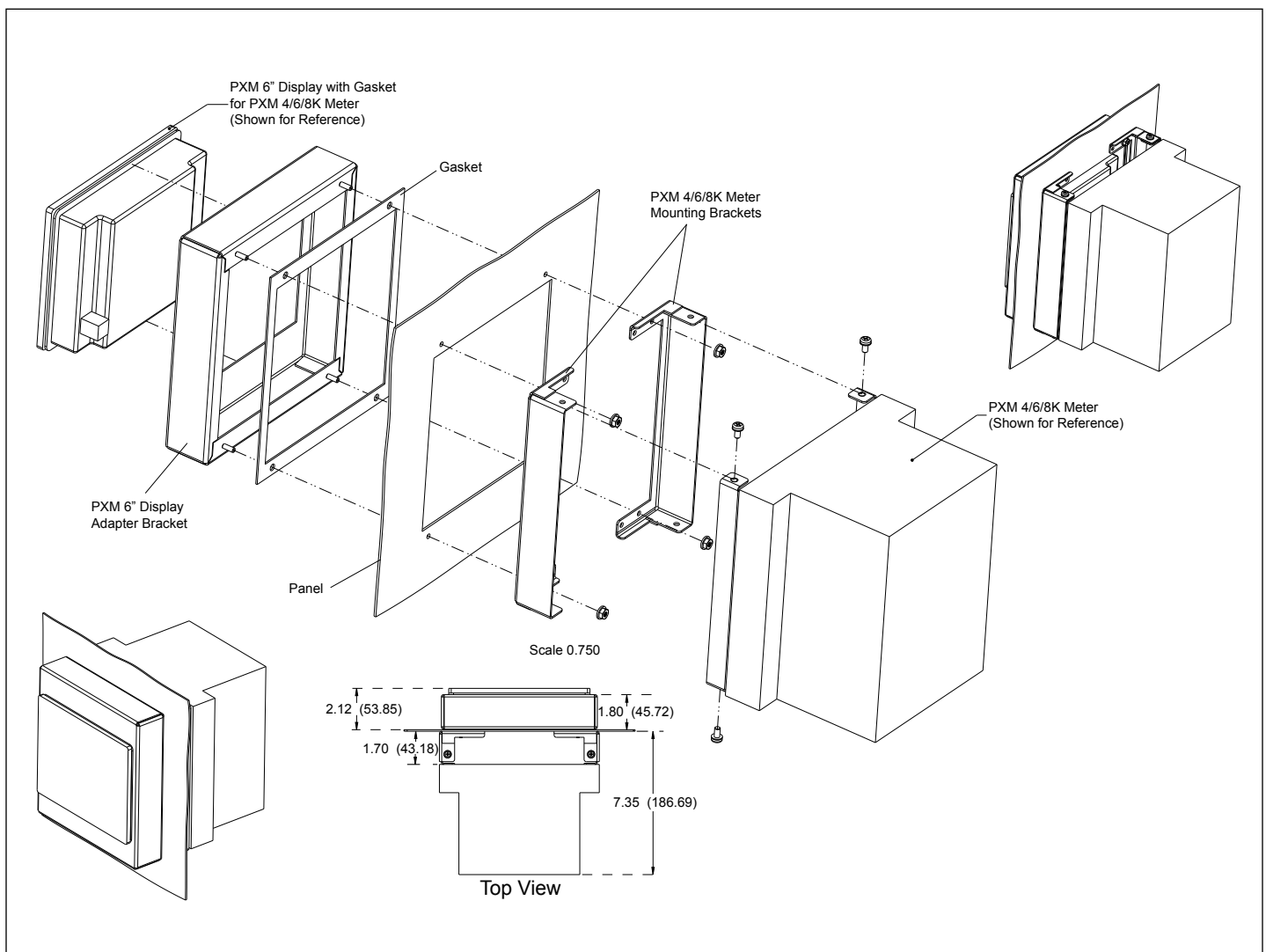


Figure 1. Back to Back Meter to Display Projection Mount Adapter Kit Assembly Details.

⚠ WARNING

SWITCH THE MAIN POWER OFF AND WAIT FIVE (5) MINUTES BEFORE MAKING ANY CONNECTION OR DISCONNECTION ON THE DEVICE. DANGER OF EXPLOSION! EATON IS NOT LIABLE FOR THE MISAPPLICATION OR MISINSTALLATION OF ITS PRODUCTS.

⚠ CAUTION

BEFORE ATTEMPTING TO INSTALL THIS EQUIPMENT IN AN EXISTING OEM ENCLOSURE, MAKE SURE THE ENCLOSURE IS SECURELY MOUNTED AND THAT THE MOUNTING AND ALL EXISTING WIRING MEETS OR EXCEEDS ALL APPLICABLE CODES AND STANDARDS.

Step 1. Disconnect and lockout all power to the enclosure.

Step 2. Inspect the enclosure panels to determine the best mounting location for the Projection Mount Adapter kit, PXM 6" display, and the PXM 4/6/8K meter.

Note: The mounting location must provide minimum clearance of 8.5 inches (215.9 mm) of rear clearance behind the panel surface including a one inch (25.4 mm) bending radius for Cat 5e cable.

Step 3. Use the mounting template (see **Figure 2**) to mark the cut-out area on the enclosure. Using an appropriate cutting tool, cut the marked area out of the panel.

Step 4. Use the drilling template (see **Figure 2**) to mark the mounting hole locations. Using a 0.177" drill bit, drill the four mounting holes.

Step 5. Use a file or other applicable tool to remove any metal burrs from the cutout area and drilled holes.

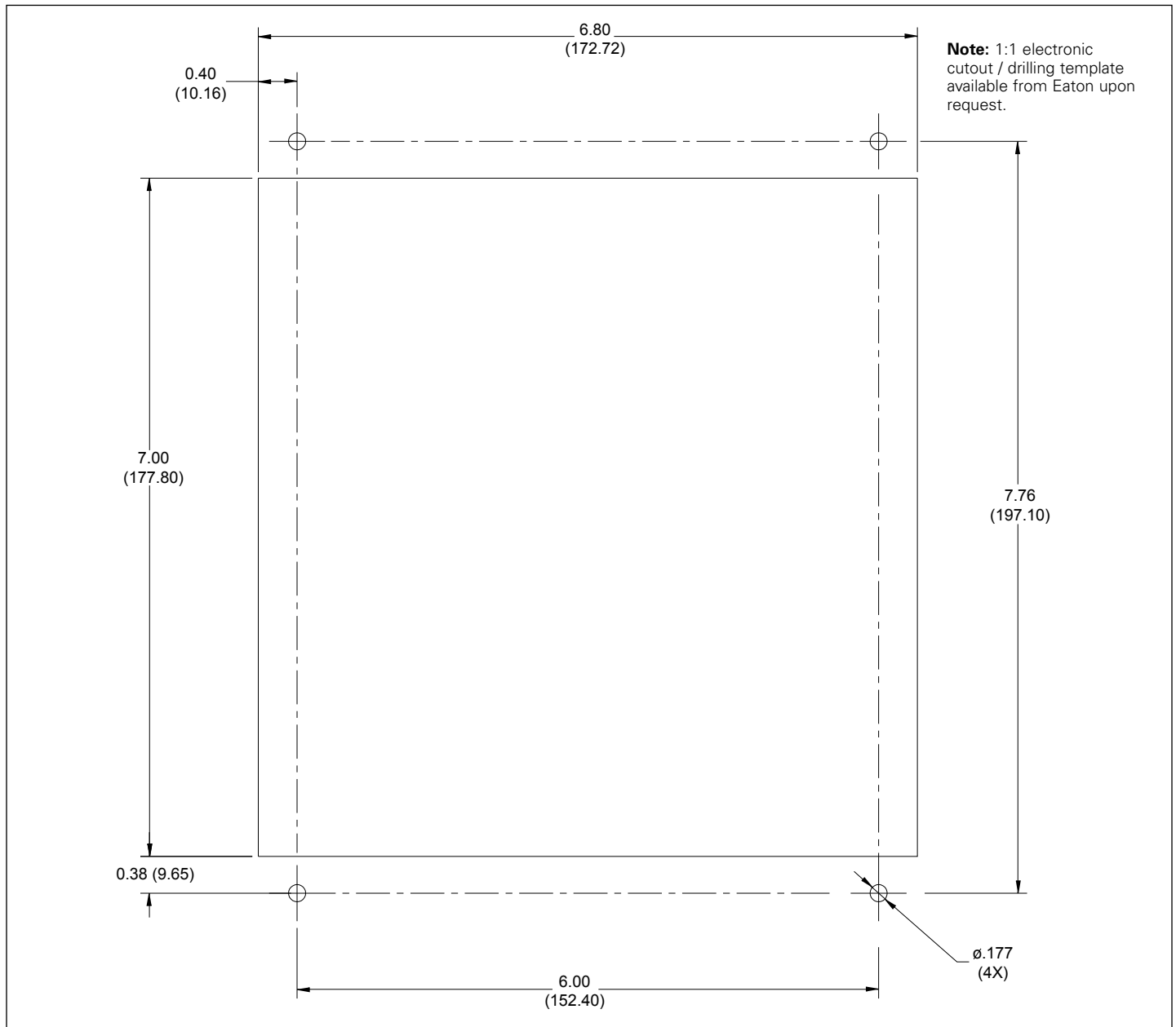


Figure 2. Back to Back Meter to Display Projection Mount Adapter Kit Cutout / Drilling Information.

2.2 Projection Mount Adapter Kit Installation

Step 1. Install the gasket over the studs on the back of the PXM 6" display adapter bracket (see **Figure 1**).

Step 2. With the gasket in place, align the studs of the PXM 6" display adapter bracket with the mounting holes drilled in Section 2.1 - Step 4. Once aligned, push the display adapter bracket into the panel until flush with the outside of the panel.

Step 3. Working from the inside of the panel, align the holes in one of the PXM 4/6/8K meter mounting brackets with appropriate PXM 6" display adapter bracket mounting studs (see **Figure 1**). Secure the meter mounting bracket to the studs of the display adapter bracket using the (2) 0.164-32 (#8-32) nuts supplied.

Step 4. Follow the same procedure (from Step 3) to install the other PXM 4/6/8K meter mounting bracket.

Step 5. Refer to TD150015EN for mounting instructions for the PXM 6" display. Refer to IM02601004 for mounting instructions for the PXM 4/6/8K meter.

Disclaimer of Warranties and Limitation of Liability

The information, recommendations, descriptions, and safety notations in this document are based on Eaton experience and judgment, and may not cover all contingencies. If further information is required, an Eaton sales office should be consulted.

Sale of the product shown in this literature is subject to the terms and conditions outlined in appropriate Eaton selling policies or other contractual agreement between Eaton and the purchaser.

THERE ARE NO UNDERSTANDINGS, AGREEMENTS, WARRANTIES, EXPRESSED OR IMPLIED, INCLUDING WARRANTIES OF FITNESS FOR A PARTICULAR PURPOSE OR MERCHANTABILITY, OTHER THAN THOSE SPECIFICALLY SET OUT IN ANY EXISTING CONTRACT BETWEEN THE PARTIES. ANY SUCH CONTRACT STATES THE ENTIRE OBLIGATION OF EATON. THE CONTENTS OF THIS DOCUMENT SHALL NOT BECOME PART OF OR MODIFY ANY CONTRACT BETWEEN THE PARTIES.

In no event will Eaton be responsible to the purchaser or user in contract, in tort (including negligence), strict liability, or otherwise for any special, indirect, incidental, or consequential damage or loss whatsoever, including but not limited to damage or loss of use of equipment, plant or power system, cost of capital, loss of power, additional expenses in the use of existing power facilities, or claims against the purchaser or user by its customers resulting from the use of the information, recommendations, and descriptions contained herein.

The information contained in this manual is subject to change without notice.

Eaton
1000 Eaton Boulevard
Cleveland, OH 44122
United States
Eaton.com

© 2015 Eaton
All Rights Reserved
Printed in USA
Publication No. IL150006EN / TBG 1233
June 2015