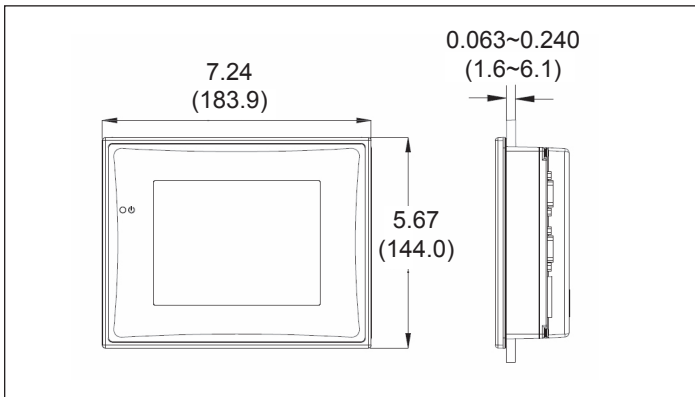
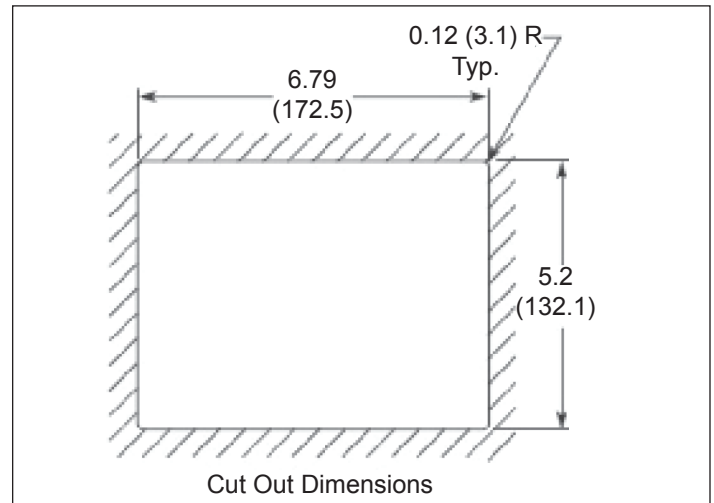


# PXM4/6/8K Meter Color Touchscreen Display Quick Start Guide

For detailed information concerning the operation and features available in the PXM4/6/8K Meter Display - 6" Color Touchscreen (PXM468K-DISP-6), please refer to PXM4/6/8K Meter Color Touchscreen Display Features (IB150004EN) available on the Eaton website ([www.eaton.com/meters](http://www.eaton.com/meters)).



**Figure 1. Dimensions of the PXM4/6/8K Meter Display - 6" Color Touchscreen (PXM468K-DISP-6).**



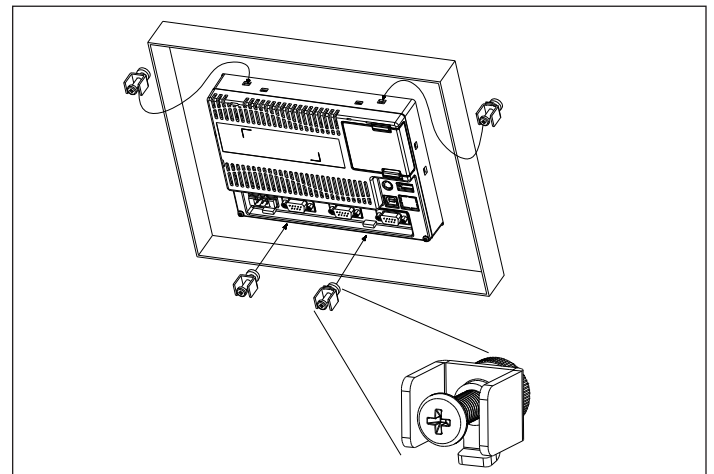
**Figure 2. Cut Out Dimensions.**

## Installation

1. Disconnect and lockout all power to the enclosure.
2. Inspect the enclosure door to determine the best mounting location for the PXM4/6/8K Meter Color Touchscreen Display.
 

**Note:** A minimum clearance of 2.4 in. (61.0 mm) must be maintained between the ventilation holes in the back of the display and any other component within the enclosure.
3. Use the mounting template to mark the cutout area on the enclosure door. Cut out the marked area.

4. Insure proper gasket placement on the PXM4/6/8K Meter Color Touchscreen Display.
5. Insert the PXM4/6/8K Meter Color Touchscreen Display through the cutout. Secure by finger tightening the supplied fasteners.



**Figure 3. Mounting the PXM4/6/8K Meter Display.**

6. Check for proper alignment of the PXM4/6/8K Meter Color Touchscreen Display then torque fasteners to 6 lb-in. (0.7 N·m).

## Connections

To use the PXM4/6/8K Meter Color Touchscreen Display, provide 24 Vdc and connect the power cable between the Color Touchscreen Display and the PXM4/6/8K Meter.

The display's plug-in terminals provide connections for +24 V, Common (0), and GND.

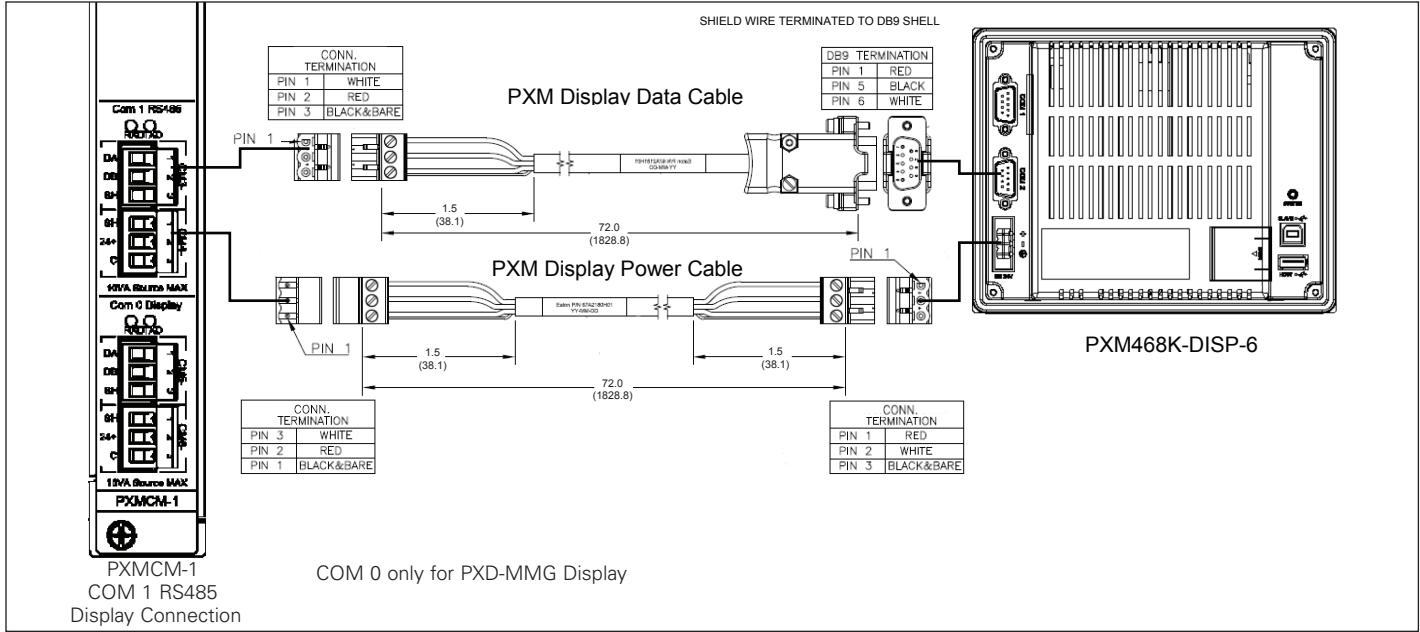


Figure 4. Power and COM Port Connections for the PXM4/6/8K Meter Display Touch Screen Display.

Included with the PXM4/6/8K Meter Color Touchscreen Display is a data cable to connect DB9 COM 2 of the Color Touchscreen Display to 3-terminal COM 1 (RS485) of the PXM4/6/8K Meter.

The supplied cables are designed to connect the meter to the PXM4/6/8K Meter Color Touchscreen Display as follows:

- Data cable: CM3
- Power cable: CM4

In order to communicate with the display, the meter must be configured as "Slave (RTU)." This can be set using the meter's web server configuration page for Com 1 & 2.

For best results, use the default communication settings for the PXM4/6/8K Meter and PXM4/6/8K Meter Color Touchscreen Display (115.2 kbps, 1 start bit, 1 stop bit, no parity).

**Note:** By default, the PXM4/6/8K Meter Color Touchscreen Display is preset for a PXM4/6/8K Meter slave address of "01". To accommodate a different slave address, the User MUST Change the PXM4/6/8K Meter Color Touchscreen Display's "PLC DEFAULT STATION".



Figure 5. Meter Web Server Configuration Screen Com 1 & 2 Setup.



Figure 6. Changing the PLC Default Station.

**Eaton**  
Electrical Sector  
1000 Eaton Boulevard  
Cleveland, OH 44122  
United States  
877-ETN-CARE (877-386-2273)  
Eaton.com

© 2015 Eaton  
All Rights Reserved  
Printed in USA  
Publication No. TD150015EN / TBG001189  
January 2015

Eaton is a registered trademark.

All other trademarks are property of their respective owners.