

# IQ 35M



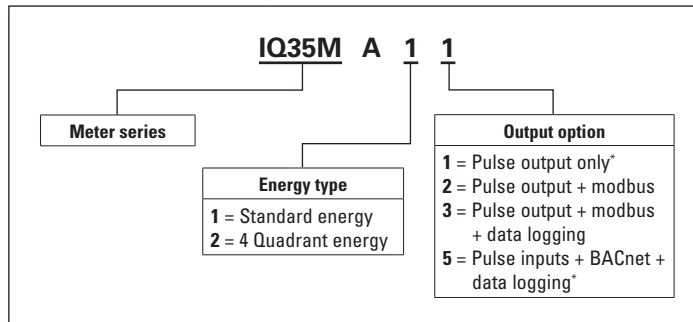
## General Description

The Eaton® IQ 35M Meter is a DIN rail meter that combines exceptional performance and easy installation to deliver a cost-effective solution for energy and power monitoring applications, as well as sub-metering applications. Most models include pulse output, alarm contact and phase alarms for true versatility. The BACnet version offers two digital inputs for accumulating other meter pulses in place of the digital output and alarm contact. The Modbus output options offer added flexibility for configuration and data analysis.

The IQ 35M allows you to:

- Verify energy bills
- Make informed load shifting and shedding decisions
- Fairly and accurately allocate energy costs to users
- Identify wasteful practices
- Decrease unnecessary usage
- Produce an energy profile
- Secure the optimum utility rate structure

## IQ 35M Meter ordering information



\* Not available with 4 Quadrant energy.

## Typical Applications

- Commercial submetering
- Energy management
- Industrial monitoring
- Cost allocation

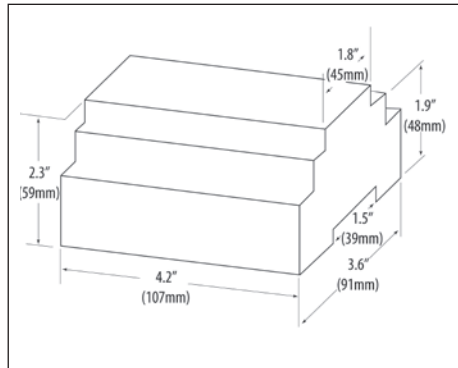
## Key Features

- Economical and compact watt hour meter with demand
- Backlit LCD display for local reading
- Compatible with the Power Xpert® Gateway for remote monitoring
- Monitors
  - Voltage, current, power factor, frequency
  - Power and Energy: real, reactive and apparent
- Optional data logging capability
- Optional serial communications (Modbus-RTU or BACnet)
- Revenue grade, ANSI C12.20 0.5% accuracy, IEC 62053-22 Class 0.5S
- Compatible with economical solid-core and split-core CTs
- User-enabled password protection
- On-board diagnostics

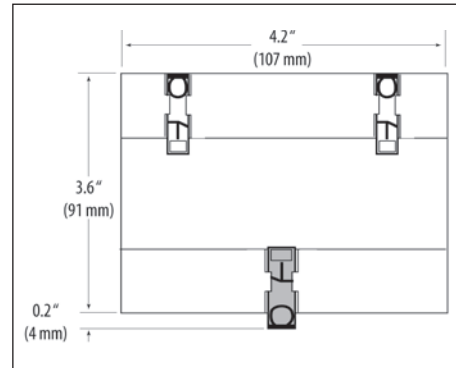


Powering Business Worldwide

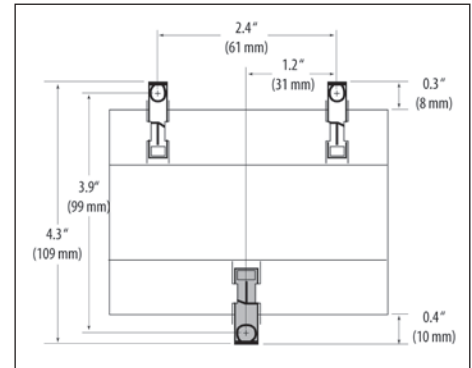
**Dimensional drawing**



**DIN mount configuration**



**Wall mount configuration**



**Technical Specifications**

Voltage input	UL: 90V (L-N) to 600V (L-L); CE: 90V (L-N) to 300V (L-L)
Current input	Scaling: 5A to 32,767A Input range: 0 to 0.333V or 0 to 1V (selectable)
Control power	UL: 90V (L-N) to 600V (L-L); CE: 90V (L-N) to 300V (L-L)

**Accuracy**

Real power and energy	0.5% (ANSI C12.20, IEC 62053-22 Class 0.5S)
-----------------------	---

**Outputs**

IQ35MAx1 thru 3	Real energy pulse: N.O. static; alarm contacts: N.C. static
IQ35MAx1	Reactive energy pulse 30VAC/DC
IQ35MAx2, IQ35MAx3	RS-485 2-wire modbus RTU
IQ35MA15	RS-485 2-wire BACnet MS/TP

**Inputs**

IQ35MA15	Two accumulating pulse inputs; solid-state or mechanical contact (current < 1mA) Min pulse width 20 msec
----------	---

**Mechanical**

Mounting	DIN Rail or 3-point screw mount
----------	---------------------------------

**Environmental**

Operating temperature range	Meter: -30° to 70°C (-22° to 158°F) Display: -10° to 50° C (14° to 122°F)
Storage temperature range	Meter: -40° to 85°C (-40° to 185°F) Display: -10° to 60°C (14° to 140°F)
Humidity range	<95% RH non-condensing

**Data outputs**

kW, kWh	Total
Current	3-phase average, per phase
Voltage	3-phase average, per phase line-line and line-neutral
Power	Real, reactive, and apparent; 3-phase total and per phase
Power factor	3-phase average and per phase
Power demand	Most recent and peak
Demand configuration	Fixed, rolling block, and external sync

Data logging (IQ35MAx3/IQ35MA15 only)	10 (IQ35MAx3), 6 (IQ35MA15) configurable data buffers Configurable demand subinterval (when set at a 15-minute interval, buffers store data for 60 days)
---------------------------------------	---

**CTs and Accessories**

Model number	Description
<b>CTs</b>	
<b>Solid Core</b>	
IQ35M-SO-030-5	IQ35M CT, Solid Core, 5A:0.33VAC, 0.30 Inch
IQ35M-SO-030-20	IQ35M CT, Solid Core, 20A:0.33VAC, 0.30 Inch
IQ35M-SO-050-50	IQ35M CT, Solid Core, 50A:0.33VAC, 0.50 Inch
IQ35M-SO-075-50	IQ35M CT, Solid Core, 50A:0.33VAC, 0.75 Inch
IQ35M-SO-125-100	IQ35M CT, Solid Core, 100A:0.33VAC, 1.25 Inch
IQ35M-SO-125-200	IQ35M CT, Solid Core, 200A:0.33VAC, 1.25 Inch
IQ35M-SO-125-250	IQ35M CT, Solid Core, 250A:0.33VAC, 1.25 Inch
IQ35M-SO-125-300	IQ35M CT, Solid Core, 300A:0.33VAC, 1.25 Inch
IQ35M-SO-125-400	IQ35M CT, Solid Core, 400A:0.33VAC, 1.25 Inch
<b>Split Core</b>	
IQ35M-SP-075-5	IQ35M CT, Split Core, 5A:0.33VAC, 0.75 Inch
IQ35M-SP-075-30	IQ35M CT, Split Core, 30A:0.33VAC, 0.75 Inch
IQ35M-SP-075-50	IQ35M CT, Split Core, 50A:0.33VAC, 0.75 Inch
IQ35M-SP-075-100	IQ35M CT, Split Core, 100A:0.33VAC, 0.75 Inch
IQ35M-SP-075-200	IQ35M CT, Split Core, 200A:0.33VAC, 0.75 Inch
IQ35M-SP-125-250	IQ35M CT, Split Core, 250A:0.33VAC, 1.25 Inch
IQ35M-SP-125-300	IQ35M CT, Split Core, 300A:0.33VAC, 1.25 Inch
IQ35M-SP-125-400	IQ35M CT, Split Core, 400A:0.33VAC, 1.25 Inch
IQ35M-SP-125-600	IQ35M CT, Split Core, 600A:0.33VAC, 1.25 Inch
IQ35M-SP-253-800	IQ35M CT, Split Core, 800A:0.33VAC, 2.5 Inch
IQ35M-SP-255-1000	IQ35M CT, Split Core, 1000A:0.33VAC, 2.5 Inch
IQ35M-SP-255-1200	IQ35M CT, Split Core, 1200A:0.33VAC, 2.5 Inch
IQ35M-SP-255-1600	IQ35M CT, Split Core, 1600A:0.33VAC, 2.5 Inch
IQ35M-SP-255-2000	IQ35M CT, Split Core, 2000A:0.33VAC, 2.5 Inch
IQ35M-SP-255-2400	IQ35M CT, Split Core, 2400A:0.33VAC, 2.5 Inch
<b>Accessories</b>	
IQ35M-ENC	IQ35M Enclosure, NEMA 4X
IQ35M-FP1	IQ35M Fuse Pack, Single, 1/2A Slow-Blow
IQ35M-FP2	IQ35M Fuse Pack, Double, 1/2A Slow-Blow
IQ35M-FP3	IQ35M Fuse Pack, Triple, 1/2A Slow-Blow
IQ35M-RMC	IQ35M Replacement Mounting Clips
IQ35M-DR	IQ35M DIN Rail
IQ35M-DRSC	IQ35M DIN Rail Stop Clips (10 Pack)

**Eaton Corporation**  
Electrical Sector  
1000 Cherrington Parkway  
Moon Township, PA 15108  
United States  
877-ETN-CARE (877-386-2273)  
Eaton.com/meters

© 2011 Eaton Corporation  
All Rights Reserved  
Printed in USA  
Publication No. TD02601018E / TN  
December 2011

**Note:** Specifications are subject to change without notice and represent the maximum capabilities of the product with all options installed. This is not a complete feature list. Features and functionality may vary depending on selected options, firmware version and product model. Please refer to User Manual for detailed specifications.

Eaton and Power Xpert are registered trademarks of Eaton Corporation.

All other trademarks are property of their respective owners.