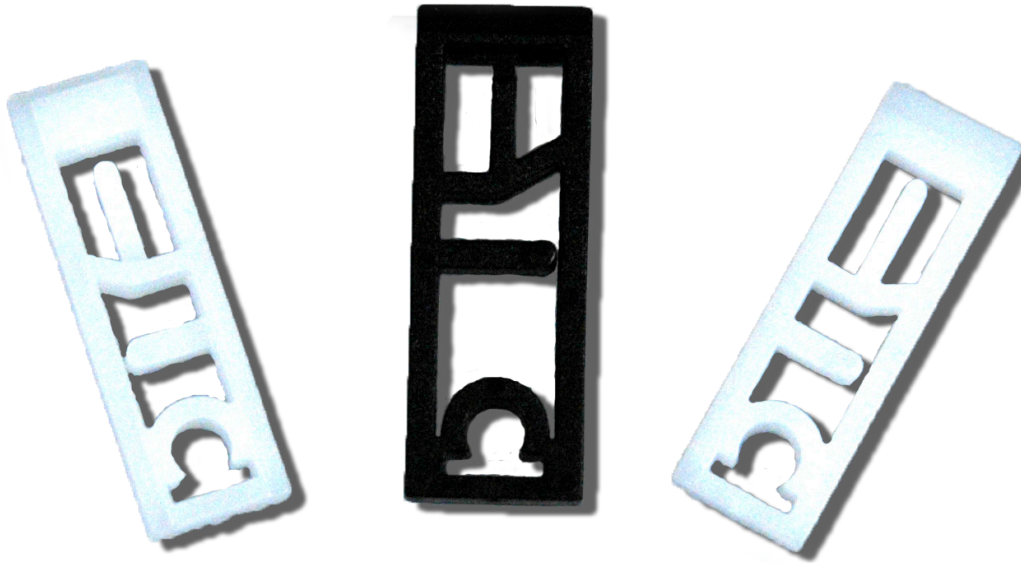


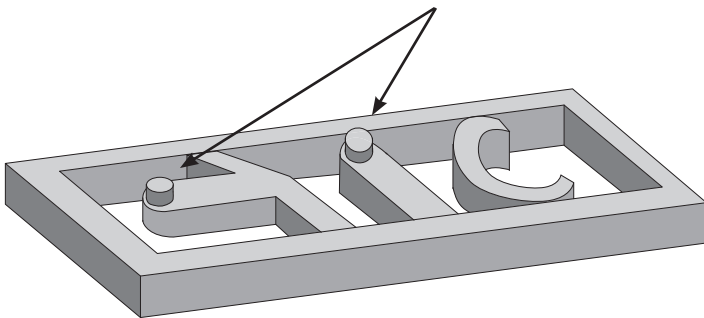
## IQ 35M DIN Rail Clip Installation Instructions

### IQ35M-RMC



#### Product Diagram

*When attaching the clips to the underside of the IQ 35M meter, these stopping pegs must face in towards the meter housing surface. Set pegs into the available slots on the meter.*



#### Additional Resources:

For a copy of the full installation guide for the IQ 35M Meter Series, including all relevant safety information, visit [www.eaton.com](http://www.eaton.com).



Powering Business Worldwide

## Installation

 **Disconnect power prior to installation**

 **Any covers that may be displaced during the installation must be reinstalled before powering the unit.**

**Mount the meter in an appropriate electrical enclosure near equipment to be monitored.**

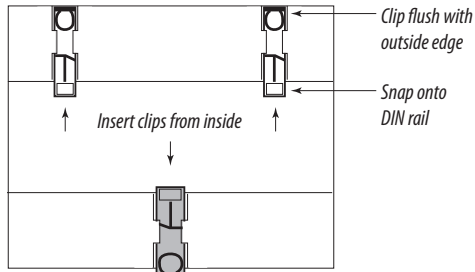
**Do not install on the load side of a Variable Frequency Drive (VFD).**

**For IQ35MA2x models, observe correct CT orientation.**

The meter can be mounted in two ways: on standard 35 mm DIN rail or screw mounted to the interior surface of the enclosure.

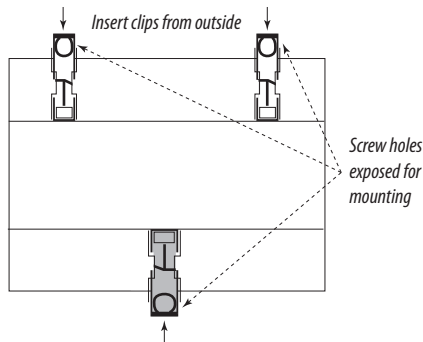
### A. DIN Rail Mounting

1. Attach mounting clips to the underside of the housing by sliding them into the slots from the inside. The stopping pegs must face the housing, and the outside edge of the clip must be flush with the outside edge of the housing.
2. Snap the clips onto the DIN rail. See diagram of the underside of the housing.
3. To prevent horizontal shifting across the DIN rail, use two Eaton IQ35M-DRSC end stop clips or equivalent.



### B. Screw Mounting

1. Attach the mounting clips to the underside of the housing by sliding them into the slots from the outside. The stopping pegs must face the housing, and the screw hole must be exposed on the outside of the housing.
2. Use three #8 screws (not supplied) to mount the meter to the inside of the enclosure. See diagram of the underside of the housing.



**Eaton Corporation**  
Electrical Sector  
1111 Superior Ave.  
Cleveland, OH 44114  
United States  
877-ETN-CARE (877-386-2273)  
Eaton.com

© 2011 Eaton Corporation  
All Rights Reserved  
Printed in USA  
Publication No. IB02601012E  
February 2011

**EATON**

Powering Business Worldwide



**PowerChain  
Management**

PowerChain Management is a registered trademark of Eaton Corporation.

All other trademarks are property of their respective owners.